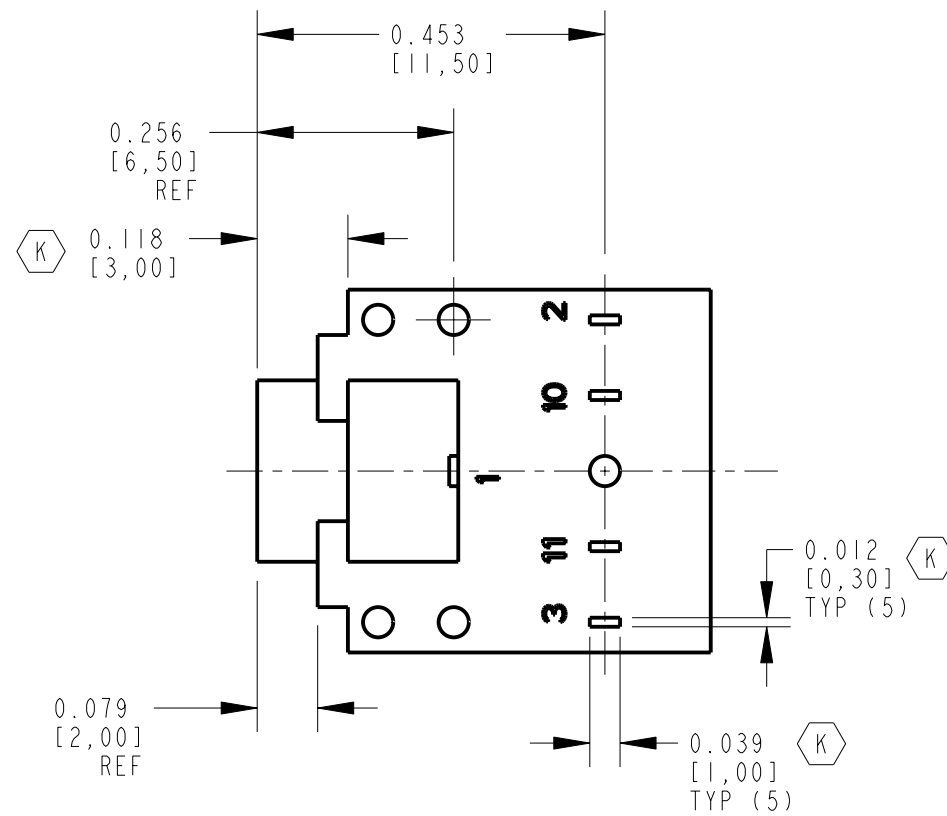
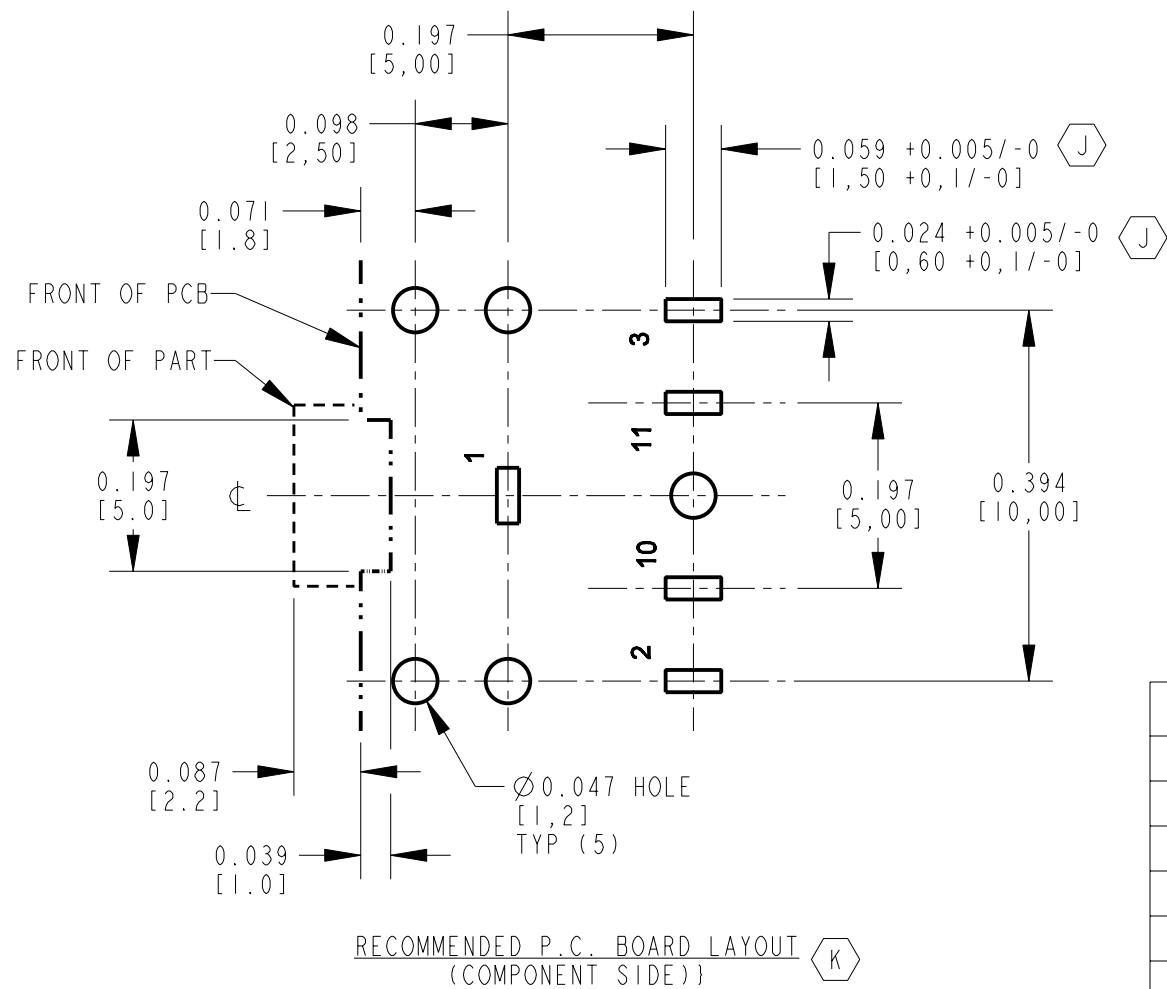
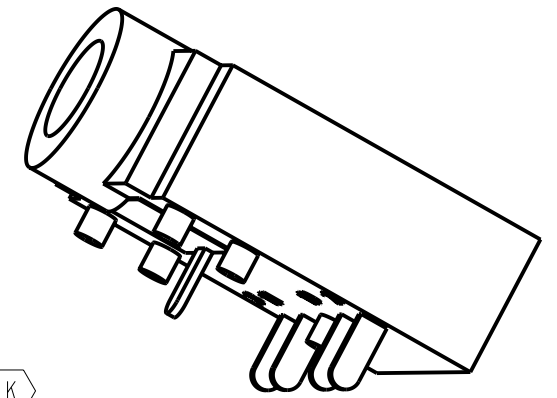
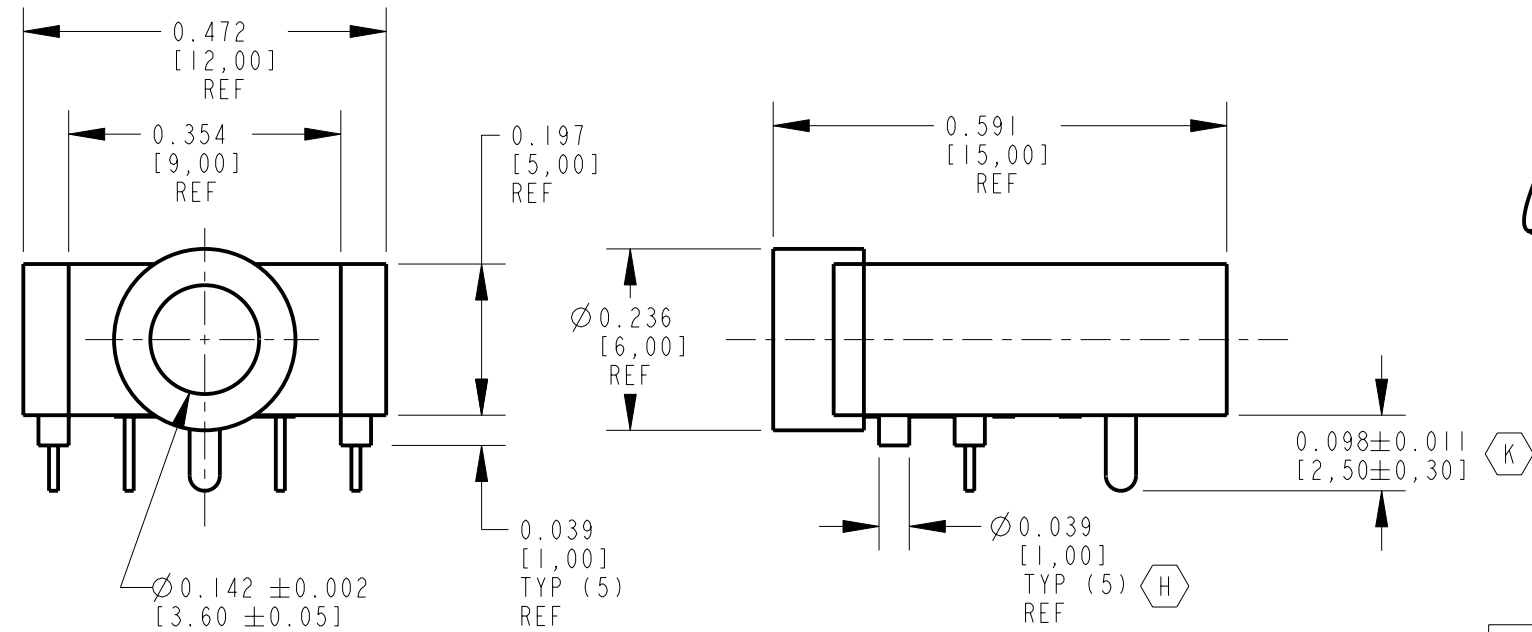


NOTES:

- ELECTRICAL:
CONTACT RESISTANCE: 0.030 OHMS MAX INITIAL,
0.100 OHMS MAX AFTER LIFE TEST.
INSULATION RESISTANCE: 100 MEGAOHMS MIN @ 500 VDC
DIELECTRIC WITHSTANDING VOLTAGE: 500 VAC
- MECHANICAL:
LIFE: 5000 CYCLES
INSERTION FORCE: 0,4 KG TO 3 KG
WITHDRAWAL FORCE: 0,4 KG TO 3 KG
- MATERIALS:
HOUSING: PBT, BLACK, UL94V-0
COVER: PBT, BLACK, UL94V-0
BUSHING: BRASS, NICKEL PLATED
SPRINGS: COPPER ALLOY, SILVER PLATED
- THIS PRODUCT IS RoHS COMPLIANT.



PART NUMBER	SCHEMATIC
35RAPC2AHN2	
35RAPC3BHN2	
35RAPC4BHN2	
35RAPC2BHN2	

CUSTOMER DRAWING

REV	ECO NUMBER	DATE	BY	APVD	DESCRIPTION	STAR SYMBOL DENOTES CRITICAL DIMENSION	THIS DRAWING DESCRIBES A DESIGN CONSIDERED PROPRIETARY IN NATURE, DEVELOPED AND MANUFACTURED BY SWITCHCRAFT INC. AND IS RELEASED ON A CONFIDENTIAL BASIS FOR IDENTIFICATION PURPOSES ONLY.					
L	27551	8-4-15	TO	TJK	UNLESS OTHERWISE SPECIFIED	1. ALL DIMENSIONS IN INCHES - TWO PLACE DECIMALS ±0.01 - THREE PLACE DECIMALS ±0.005 - FRACTIONAL DIMENSIONS ±1/64 - ANGLES ±1° - ALL DIA. CONCENTRIC WITHIN 0.005 T.I.R.	SIZE	WIDTH	MULT	LBS/M	TEMPER	
K	27056	11-20-12	TO	TJK	2. FEATURES ON THE SAME CENTERLINE MUST BE ALIGNED WITHIN ±0.002	2. FEATURES ON THE SAME CENTERLINE MUST BE ALIGNED WITHIN ±0.002	FINISH		MATERIAL			
J	26998	7-20-12	TO	TJK	3. REMOVE ALL BURRS	3. REMOVE ALL BURRS	SPEC No.		SPEC No.			
H	26658	11-10-10	TO	TJK	DO NOT SCALE DRAWING	DO NOT SCALE DRAWING	FIRST USED ON		SCALE 4:1		Switchcraft [®]	
G	26553	6-8-10	TJK	TJK		DATE DRAWN	BY	CHKD	APVD	SHEET OF		
F	ECO # 24453	4-10-03	SRC	TJK		9-Dec-93	LR	LR	EBR	PART No.		
REVISIONS							NAME 3.5MM HORIZONTAL STEREO JACK, RoHS				35RAPC_ _HN2	REV L

Mouser Electronics

Authorized Distributor

Click to View Pricing, Inventory, Delivery & Lifecycle Information:

[Switchcraft:](#)

[35RAPC4BHN2](#) [35RAPC2BVN4](#) [35RAPC2AHN2](#) [35RAPC2BHN2](#) [35RAPC3BHN2](#)