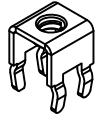
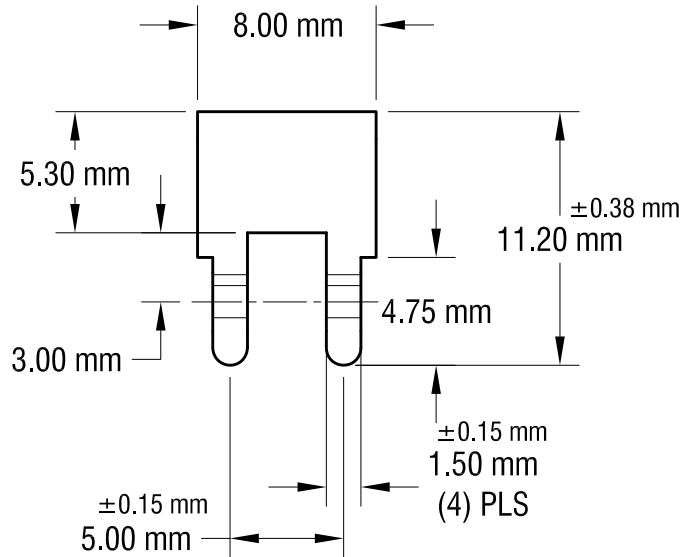
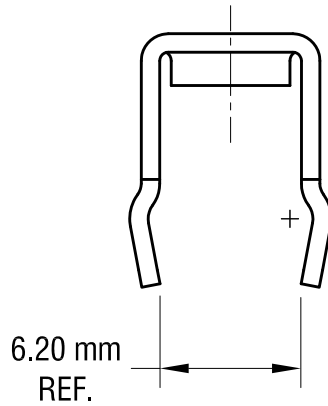
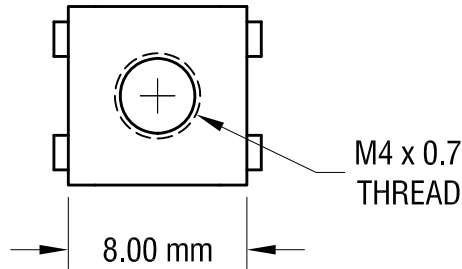
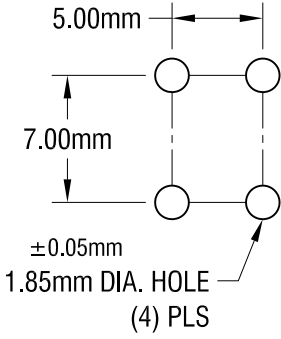


THIS DOCUMENT IS THE PROPERTY OF KEYSTONE ELECTRONICS CORP. AND SHALL NOT BE REPRODUCED, DISTRIBUTED OR USED AS A BASIS FOR MANUFACTURE WITHOUT PRIOR WRITTEN PERMISSION FROM KEYSTONE ELECTRONICS CORP.

ACTUAL SIZE



MOUNTING DETAIL



NOTE:
ALL DIMENSIONS ARE IN MILLIMETERS.

4.12.18	CHANGE AS PER ECN 18-019	D
1.13.16	CHANGE AS PER ECN 16-001	C
1.25.10	CHANGE AS PER ECN 10-006	B
10.02.08	CHANGE AS PER ECN 08-167	A
DATE	DESCRIPTION	REV.

KEYSTONE ELECTRONICS CORP.			
www.keyelco.com • NEW HYDE PARK, NY 11040 • Tel (516) 328-7500			
PART NAME		PC METRIC SCREW TERMINAL	
MATERIAL		0.8 mm TH'K BRASS	
FINISH		DRN BY	DATE
MATTE TIN PLATE		NT	7.01.08
		APP'D	SCALE
TOLERANCES INCH [MM] DECIMAL ± [±0.25] ANGULAR ± 1° UNLESS OTHERWISE SPECIFIED		LN	3X
		CODE	DWG NO.
		C	7795

Mouser Electronics

Authorized Distributor

Click to View Pricing, Inventory, Delivery & Lifecycle Information:

[Keystone Electronics:](#)

[7795](#)