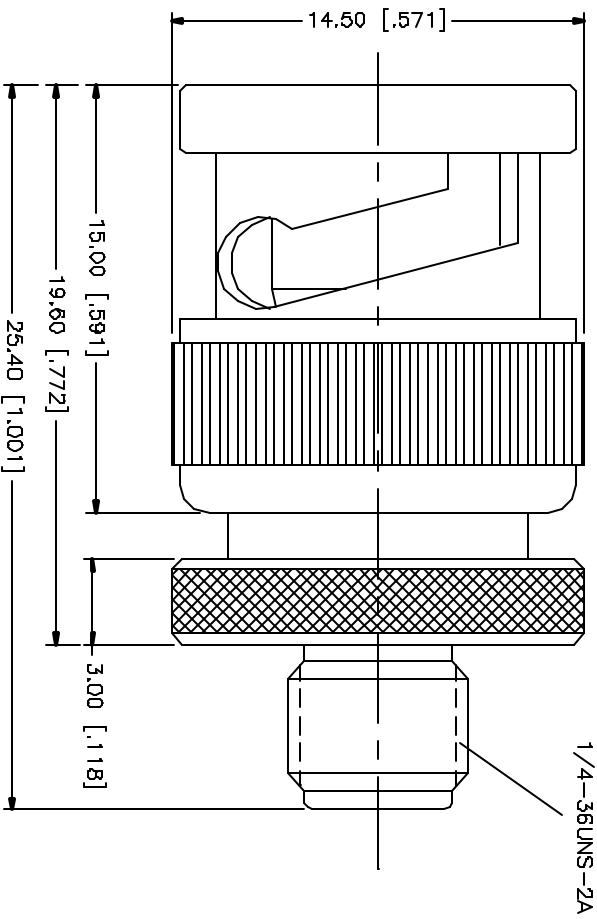


| REV. | DATE     | DESCRIPTION             |
|------|----------|-------------------------|
| A    | 03/27/05 | UPDATE DRAWING'S FORMAT |



| NO. | DESCRIPTION | MATERIAL     | FINISH  | QTY |
|-----|-------------|--------------|---------|-----|
| 1   | CONTACT PIN | PHOS. BRONZE | GOLD    | 1   |
| 2   | INSULATOR   | TEFLON       | NATURAL | 1   |
| 1   | BODY        | BRASS        | GOLD    | 1   |
|     | DESCRIPTION | MATERIAL     | FINISH  | QTY |

| APPROVALS    | DATE     |
|--------------|----------|
| DRAWN G.R.S. | 03/27/05 |
| CHECKED      |          |
| RELEASD      |          |
| SHEET 1 OF 1 |          |

**Amphenol Connex**

PART DESCRIPTION  
SMA FEMALE TO BNC MALE ADAPTER

PART NO. 242103

DWG. NO. 242103.DWG

REV. A

SIZE A

SCALE NA

DO NOT SCALE DRAWING

UNLESS OTHERWISE SPECIFIED DIMENSIONS ARE IN MILLIMETERS DIMENSIONS IN [ ] ARE IN INCHES AND FOR CUSTOMER REFERENCE ONLY.

UNLESS OTHERWISE SPECIFIED TOLERANCES FOR MILLIMETERS ARE:

0.5 - 30mm ± 0.20mm  
 30 - 120mm ± 0.40mm  
 120 - 300mm ± 0.50mm

UNLESS OTHERWISE SPECIFIED TOLERANCES FOR INCHES ARE:

.030 - .315 ± 0.0075  
 .315 - 1.180 ± 0.015"  
 1.180 - 4.724 ± 0.020"

# Mouser Electronics

Authorized Distributor

Click to View Pricing, Inventory, Delivery & Lifecycle Information:

[Amphenol:](#)

[242103](#)