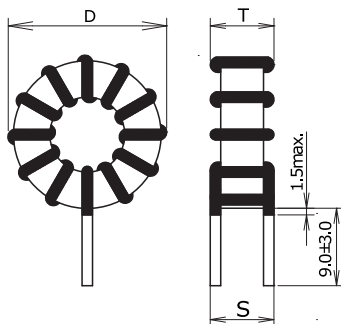


KEMET Part Number: PHBC8S-0R6A0024V
(UALP8S0R6A0024)

KEMET, PHBC, AC Line Filters, Normal Mode, 24 uH, 20%



Dimensions

| | |
|-----------|------------|
| D | 16mm MAX |
| T | 8.8mm MAX |
| LL | 9mm +/-3mm |
| S | 7mm NOM |

Packaging Specifications

| | |
|----------------------------|------|
| Packaging: | Tray |
| Packaging Quantity: | 700 |
| Weight: | 4 g |

General Information

| | |
|-----------------------|--|
| Series: | PHBC |
| Style: | Through-Hole |
| Features: | Switching Power Supply Outlet, DC-DC Converter, Phase Compensation, Noise Solution |
| RoHS: | Yes |
| Miscellaneous: | 15 (K) Temperature Rise Max. |

Specifications

| | |
|------------------------------|-----------------|
| Inductance: | 24 uH (0.1 MHz) |
| Inductance Tolerance: | 20% |
| Current: | 2 A |
| Temperature Range: | -40/+125°C |
| DC Resistance: | 41.1 mOhms |