

**PLEASE CHECK WWW.MOLEX.COM FOR LATEST PART INFORMATION**

**Part Number:** **0438600003**  
**Status:** **Active**  
**Overview:** Magnetic and Modular Jacks/Plugs  
**Description:** Modular Jack, Right-Angle, Low Profile, Inverted, 6/4

**Documents:**

|  |  |
|--|--|
| <a href="#">3D Model</a>                                 | <a href="#">Application Specification AS-43860-001-001 (PDF)</a> |
| <a href="#">Drawing (PDF)</a>                            | <a href="#">Packaging Specification PK-43860-004 (PDF)</a>       |
| <a href="#">3D Model (PDF)</a>                           | <a href="#">Test Summary TS-43860-001-001 (PDF)</a>              |
| <a href="#">Product Specification PS-43860-003 (PDF)</a> | <a href="#">RoHS Certificate of Compliance (PDF)</a>             |

**Agency Certification**

|     |         |
|-----|---------|
| CSA | LR19980 |
| UL  | E107635 |

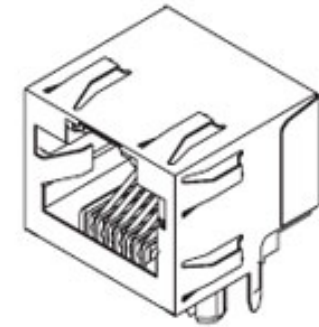
**General**

|                           |   |
|---------------------------|---|
| Product Family            | Modular Jacks/Plugs                     |
| Series                    | <u>43860</u>                            |
| Component Type            | PCB Jack                                |
| Magnetic                  | No                                      |
| Overview                  | <u>Magnetic and Modular Jacks/Plugs</u> |
| Performance Category      | 3                                       |
| Power over Ethernet (PoE) | N/A                                     |
| Product Name              | Modular Jack 6/4                        |
| UPC                       | 800753918245                            |

**Physical**

|                                |                                |
|--------------------------------|--------------------------------|
| Boot Color                     | N/A                            |
| Color - Resin                  | Black                          |
| Durability (mating cycles max) | 500                            |
| Flammability                   | 94V-0                          |
| Inverted / Top Latch           | Yes                            |
| Jack Height                    | 13.21mm                        |
| Lightpipes/LEDs                | None                           |
| Material - Metal               | Phosphor Bronze                |
| Material - Plating Mating      | Gold                           |
| Material - Plating Termination | Tin                            |
| Material - Resin               | High Temperature Thermoplastic |
| Net Weight                     | 2.128/g                        |
| Orientation                    | Right Angle (Side Entry)       |
| PCB Locator                    | Yes                            |
| PCB Retention                  | Yes                            |
| PCB Thickness - Recommended    | 1.60mm                         |
| Packaging Type                 | Tube                           |
| Pitch - Mating Interface       | 1.02mm                         |
| Pitch - Termination Interface  | 1.02mm                         |
| Plating min - Mating           | 1.270µm                        |
| Plating min - Termination      | 2.540µm                        |
| Port Configuration             | 1x1                            |
| Positions / Loaded Contacts    | 6/4                            |
| Surface Mount Compatible (SMC) | No                             |
| Temperature Range - Operating  | -40° to +85°C                  |
| Termination Interface: Style   | Through Hole                   |
| Waterproof / Dustproof         | No                             |
| Wire/Cable Type                | N/A                            |

**Electrical**



*Series image - Reference only*

**EU ELV**

**Not Relevant**

**EU RoHS**

**Compliant**

**REACH SVHC**

Contained Per -  
D(2020)4578-DC (25  
June 2020)  
di-n-pentyl phthalate  
(DPP)  
perfluorooctanoic acid  
disodium 3,3'-[[1,1'-  
biphenyl]-4,4'-  
diylbis(azo)  
diisopentylphthalate  
1,2-diethoxyethane  
dibutyltin dichloride  
1,3-propanesultone  
ammoniumpentadecafluorooctanoate  
2-ethylhexyl 10-  
ethyl-4,4-dioctyl-7-  
oxo-8-oxa-3,  
2-(2H-benzotriazol-2-  
yl)-4-(tert-butyl)-6-  
(sec-b  
1,2-  
Benzenedicarboxylic  
acid, dihexyl ester,  
bra  
diisohexyl phthalate  
1,2-  
benzenedicarboxylic  
acid, dipentylester,  
bra  
n-pentyl-  
isopentylphthalate  
Boric acid  
Nonadecafluorodecanoic  
acid (PFDA) and its  
sodiu  
Tris(4-nonylphenyl,  
branched and linear)  
phosphi  
Pyrene

**China RoHS**

Current - Maximum per Contact  
Shielded  
Voltage - Maximum

1.5A  
No  
150V AC (RMS)

**Solder Process Data**

Lead-free Process Capability

WAVE

**Material Info**

**Reference - Drawing Numbers**

Application Specification  
Packaging Specification  
Product Specification  
Sales Drawing  
Test Summary

AS-43860-001-001  
PK-43860-004  
PS-43860-003  
SD-43860-001  
TS-43860-001-001

Dodecachloropentacyclo[12.2.1.16,9.02,13.05,10]o  
Perfluorononan-1-  
oic acid  
(2,2,3,3,4,4,5,5,6,6,7  
Methylhexahydrophthalic  
anhydride  
reaction mass of  
2-ethylhexyl 10-  
ethyl-4,4-dioct  
Perfluorohexane-1-  
sulphonic acid and its  
salts  
Lead sulfochromate  
yellow  
strontium chromate  
bis(2-methoxyethyl)  
ether  
pentazinc chromate  
octahydroxide  
1,2-dimethoxyethane  
1,2-bis(2-  
methoxyethoxy)ethane  
bis(pentabromophenyl)  
ether  
cadmium oxide (non-  
pyrophoric)  
cadmium sulphide  
orange lead  
cadmium  
lead dinitrate  
lead oxide sulfate  
pentalead tetraoxide  
sulphate  
dioxobis(stearato)trilead  
Lead titanium  
zirconium oxide  
lead cyanamidate  
Sulfurous acid, lead  
salt, dibasic  
[phthalato(2-)]dioxotrilead  
benzo[a]pyrene  
4-aminoazobenzene  
dihexyl phthalate  
(DnHP)  
ethylene thiourea

**Halogen-Free**

**Status**

**Not Low-Halogen**

For more information, please visit [Contact US](#)

|                 |               |
|-----------------|---------------|
| China ROHS      | Green Image   |
| ELV             | Not Relevant  |
| RoHS Phthalates | Not Contained |

**Search Parts in this Series**

[43860 Series](#)

**Mates With**

FCC 68 Plugs

This document was generated on 10/16/2020

**PLEASE CHECK WWW.MOLEX.COM FOR LATEST PART INFORMATION**