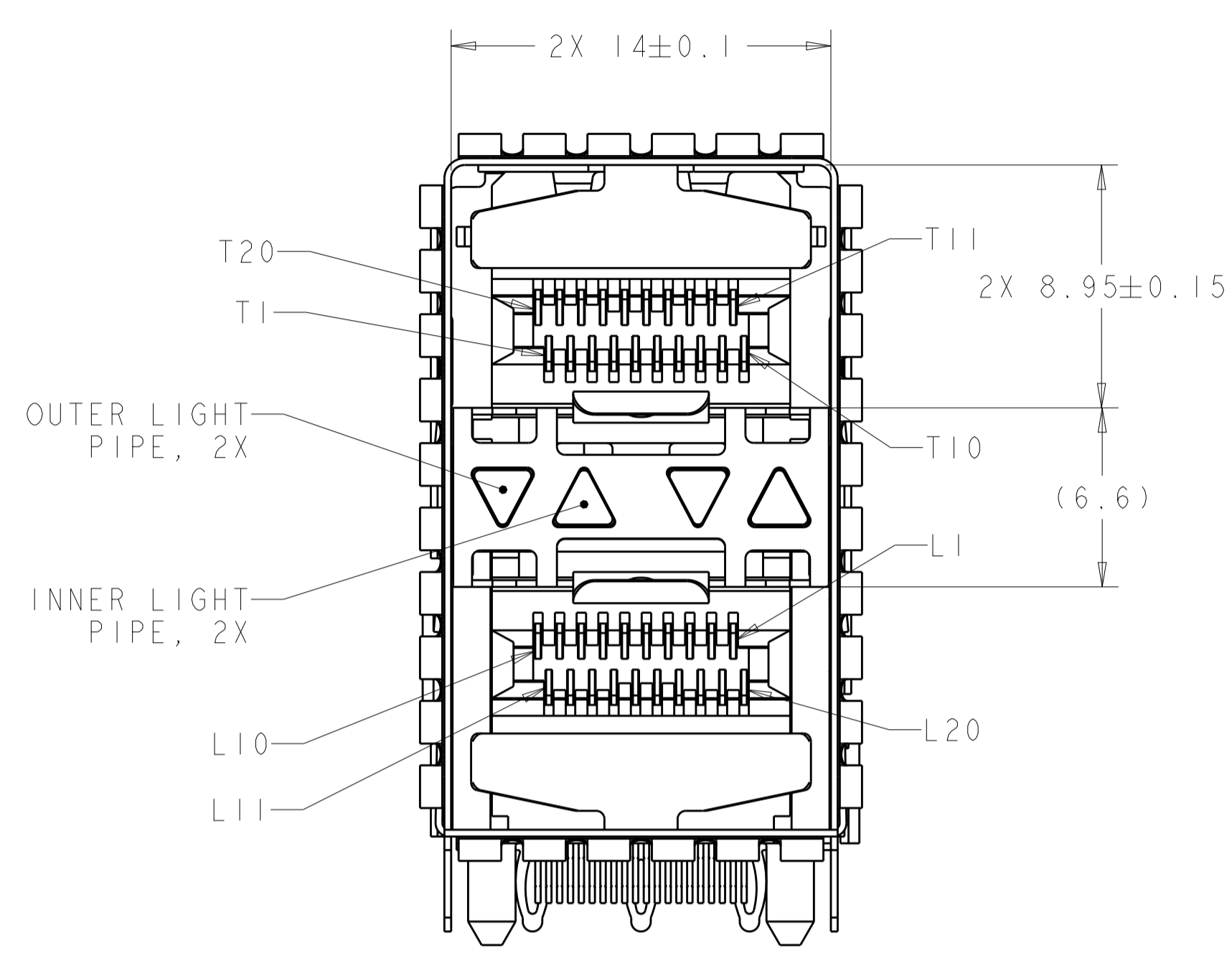
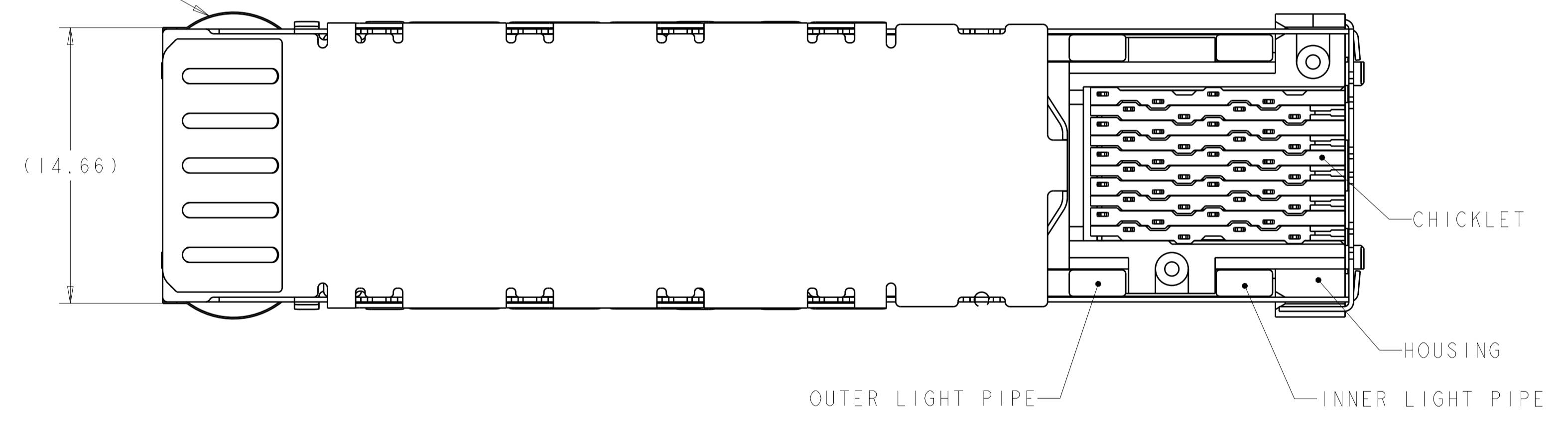
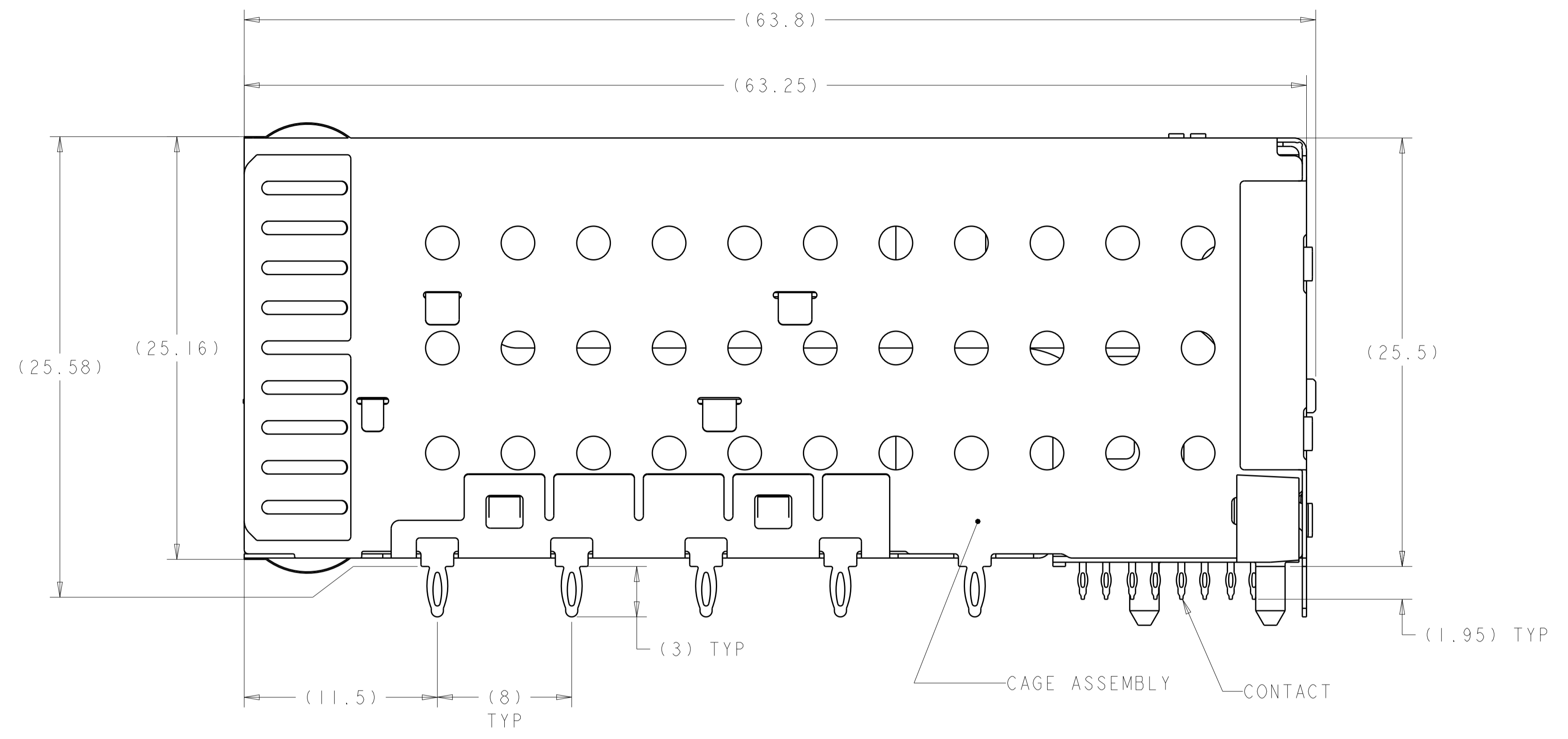


LOC		DIST		REVISIONS			
GP	00	P	LTN	DESCRIPTION	DATE	DWN	APVD
		B1		REVISED PER ECO-11-004835	11MAR2011	RK	HMR
		C		REVISED PER ECO-11-020849	11JAN2011	CJV	PAR
		C1		REVISED PER ECO-13-003678	09APR2013	CJV	PAR
		D		REVISED PER ECO-15-017919	04APR2016	AP	PR



2007492-5 AS SHOWN



- 1 MATERIALS:
 CAGE ASSEMBLY- NICKEL SILVER ALLOY PER ASTM B 122.
 EMI SPRING- COPPER ALLOY.
 HOUSING- BLACK LCP, UL 94V-0 RATED.
 CHICKLET- BLACK LCP, UL 94V-0 RATED.
 LIGHT PIPE- POLYCARBONATE, CLEAR.
 INSERT- LCP, BLACK, UL 94V-0.
 CONTACT- COPPER ALLOY.
- 2 DATUM AND BASIC DIMENSIONS ESTABLISHED BY CUSTOMER.
- 3. MINIMUM PCB THICKNESS OF 1.5.
- 4 CONTACT FINISH- CONFORMS TO THE REQUIREMENTS OF TE CONNECTIVITY PRODUCT SPECIFICATION 108-2331, BASED ON EIA/ECA-364-1000.01A, (CONTROLLED ENVIRONMENT APPLICATIONS) ON MATING INTERFACE, TIN-LEAD ON NEEDLE EYE.
- 5 CONTACT FINISH- CONFORMS TO THE REQUIREMENTS OF TE CONNECTIVITY PRODUCT SPECIFICATION 108-2331, BASED ON EIA/ECA-364-1000.01A, (CONTROLLED ENVIRONMENT APPLICATIONS) ON MATING INTERFACE, TIN ON NEEDLE EYE.
- 6 FOR HOLE SIZE AND PLATINGS, SEE APPLICATION SPEC 114-13219.
- 7 THE ENTIRE AREA OF THE CONNECTOR FOOTPRINT, INDICATED BY THE DASHED LINE, TO BE CONSIDERED THE KEEPOUT AREA FOR COMPONENTS AND SIGNAL TRACES, TOP SIDE ONLY. TOP SIDE TRACES ALLOWED WITHIN CONNECTOR HOLE PATTERN.
- 8 LIGHT PIPE PAD LAYOUT IS FOR 0805 LOW PROFILE LED PACKAGE WITH A HEIGHT OF 0.8mm.
- 9 EMI SPRING FINISH: 0.8µm MINIMUM MATTE TIN OVER 0.8µm MINIMUM NICKEL, NONPLATED EDGES PERMISSIBLE.
- 10 ADDITIONAL COMPONENT LOCATED WITHIN LATCH PLATE FOR EMI SUPPRESSION.

YES	NO	ENHANCED EMI	FINISH	DESCRIPTION	PART NUMBER
YES				NO LIGHT PIPES	1-2007492-8
				OUTER 2 LIGHT PIPES	1-2007492-7
				INNER 2 LIGHT PIPES	1-2007492-6
				4 LIGHT PIPES	1-2007492-5
	NO			NO LIGHT PIPES	2007492-8
				OUTER 2 LIGHT PIPES	2007492-7
				INNER 2 LIGHT PIPES	2007492-6
				4 LIGHT PIPES	2007492-5
NO				NO LIGHT PIPES	2007492-4
				OUTER 2 LIGHT PIPES	2007492-3
				INNER 2 LIGHT PIPES	2007492-2
				4 LIGHT PIPES	2007492-1

THIS DRAWING IS A CONTROLLED DOCUMENT. DIMENSIONING AND TOLERANCING PER ASME Y14.5M-2009. DIMENSIONS: mm. TOLERANCES UNLESS OTHERWISE SPECIFIED: 0 PLC ±0.10, 1 PLC ±0.10, 2 PLC ±0.10, 3 PLC ±0.10, 4 PLC ±0.10, ANGLES ±°. FINISH: 1, 4, 5, 9.

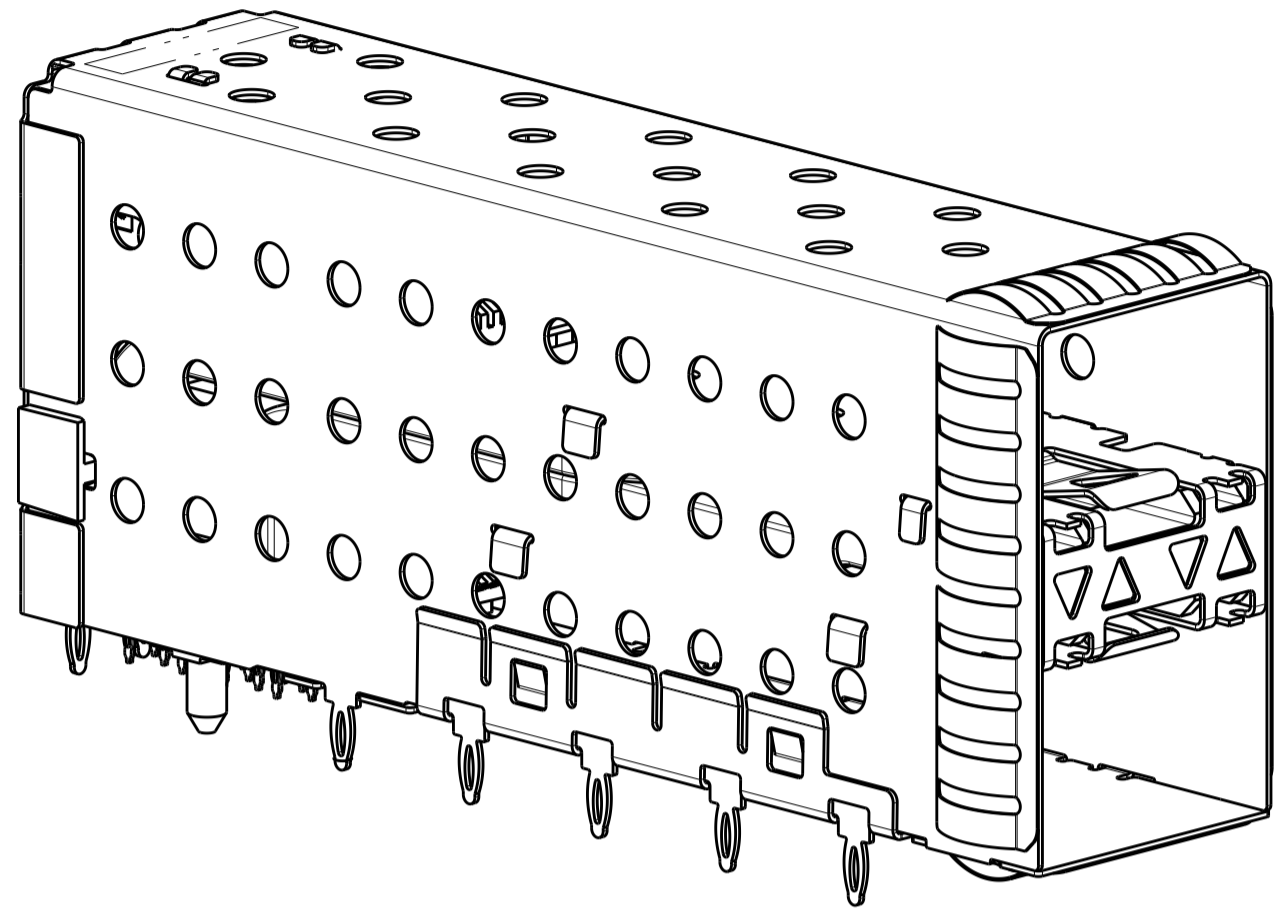
DWN: M. SHIRK, 30NOV2007
 CHK: D. SZCZESNY, 30NOV2007
 APVD: D. SZCZESNY, 30NOV2007

PRODUCT SPEC: 108-2331
 APPLICATION SPEC: 114-13219

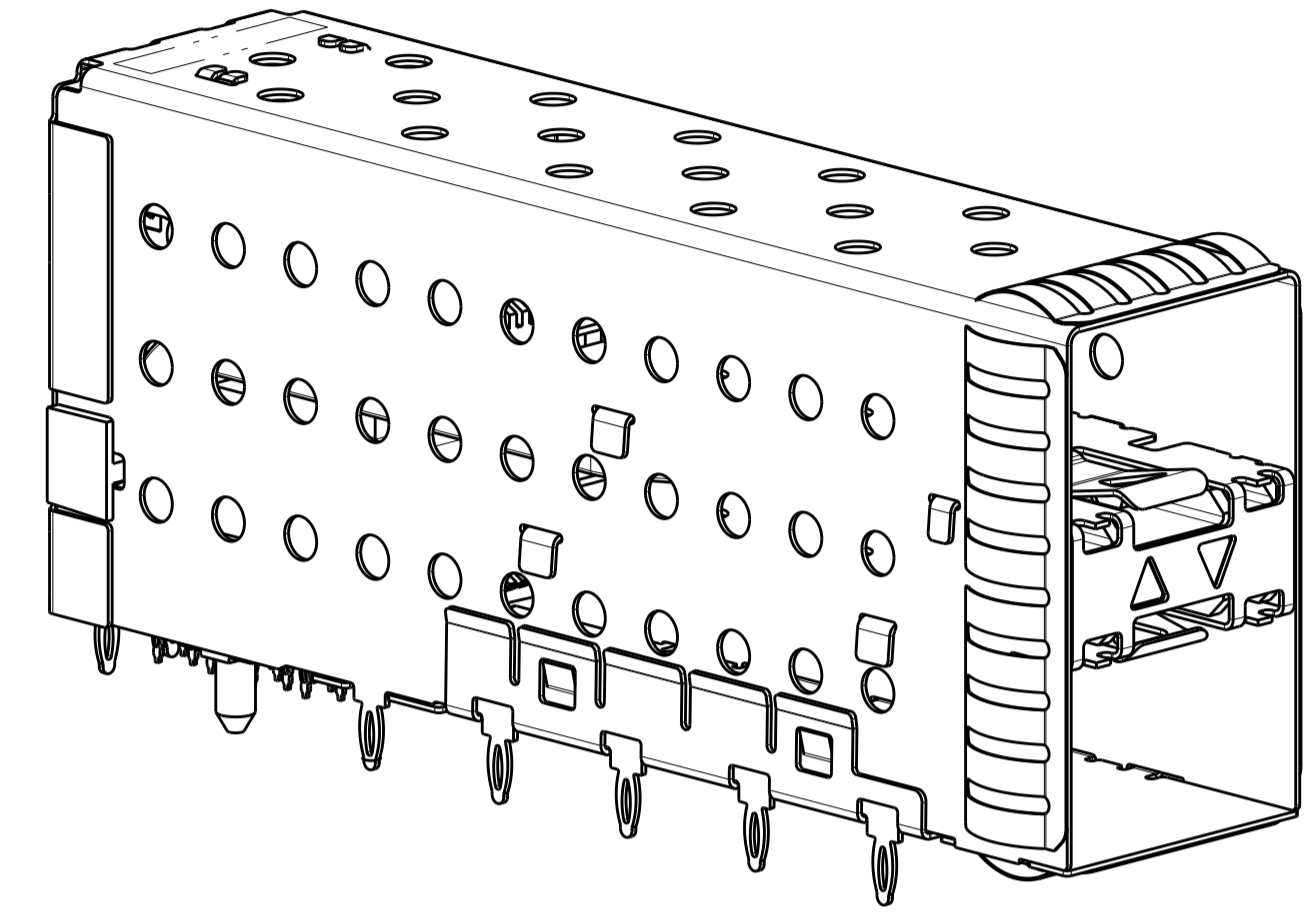
NAME: CAGE AND PT CONNECTOR ASSEMBLY, WITH EMI SPRINGS, PRESS FIT, 2X1, STACKED SFP+
 SIZE: 100779, CAGE CODE: 2007492, DRAWING NO: 2007492-5

SCALE: 5:1, SHEET: 1 OF 4, REV: D

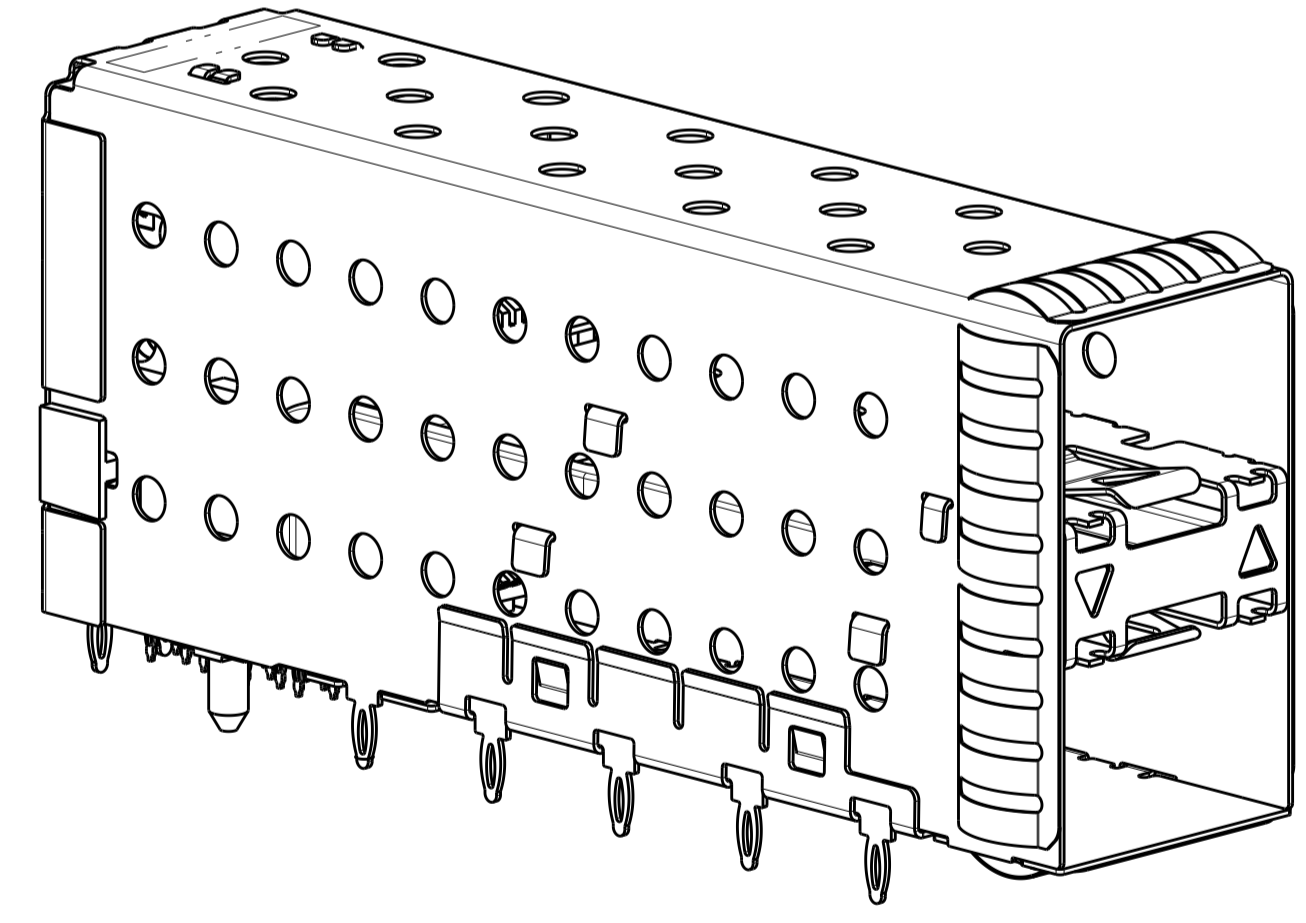
LOC		DIST		REVISIONS			
GP	00	P	LYR	DESCRIPTION	DATE	DWN	APVD
		-		SEE SHEET 1			



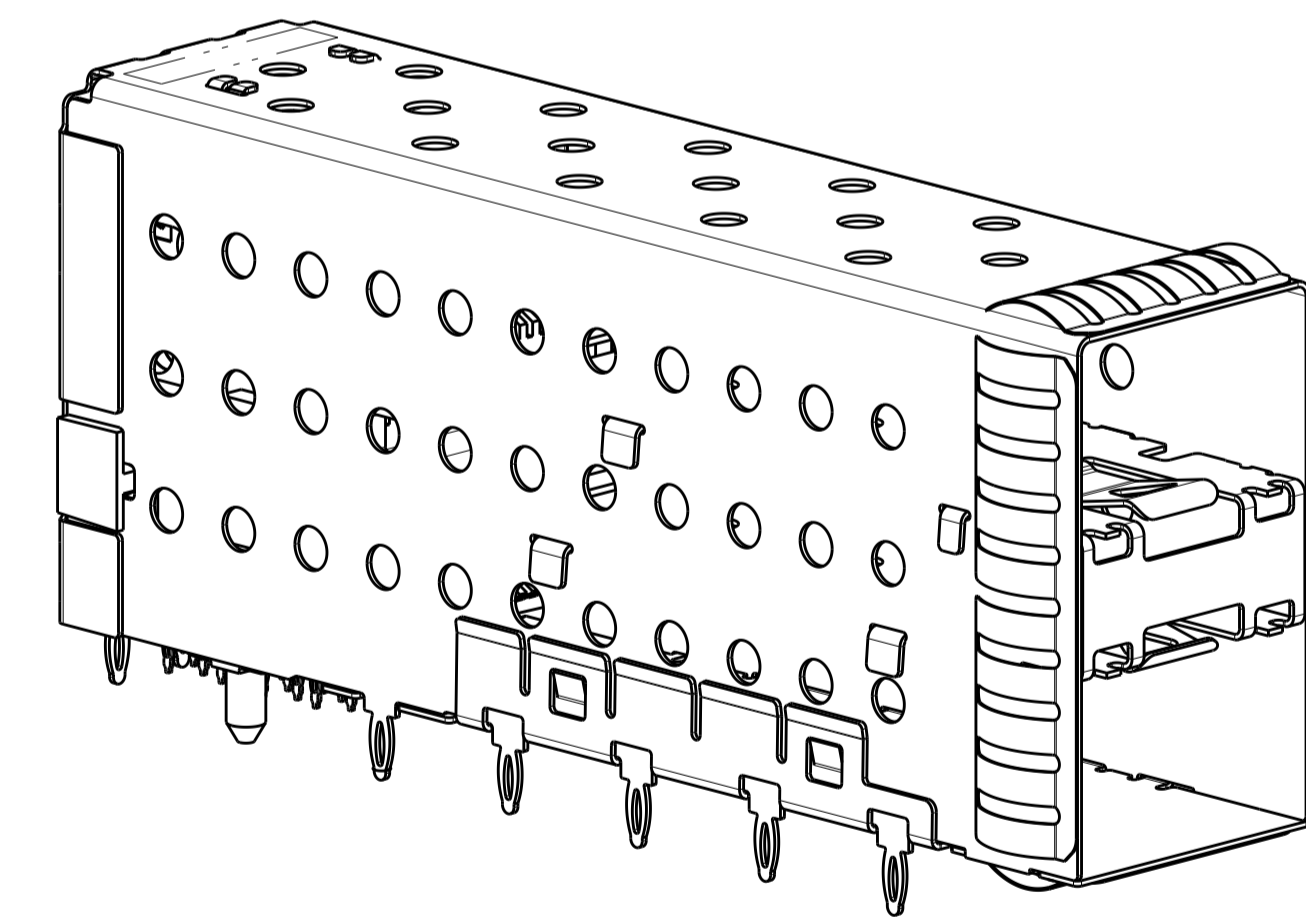
2007492-5 AND 1-2007492-5
 SCALE 3:1




2007492-6 AND 1-2007492-6
 SCALE 3:1



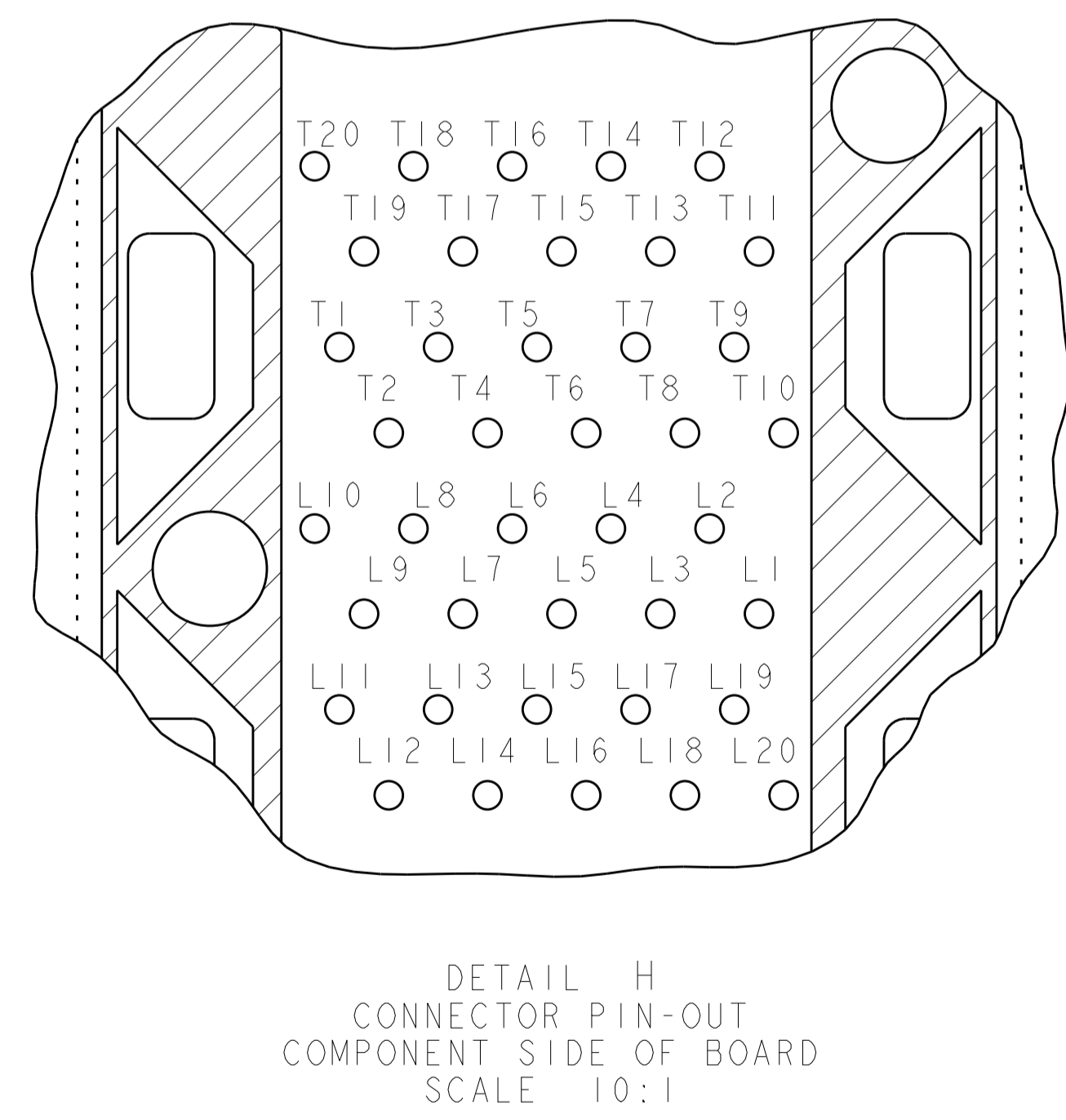
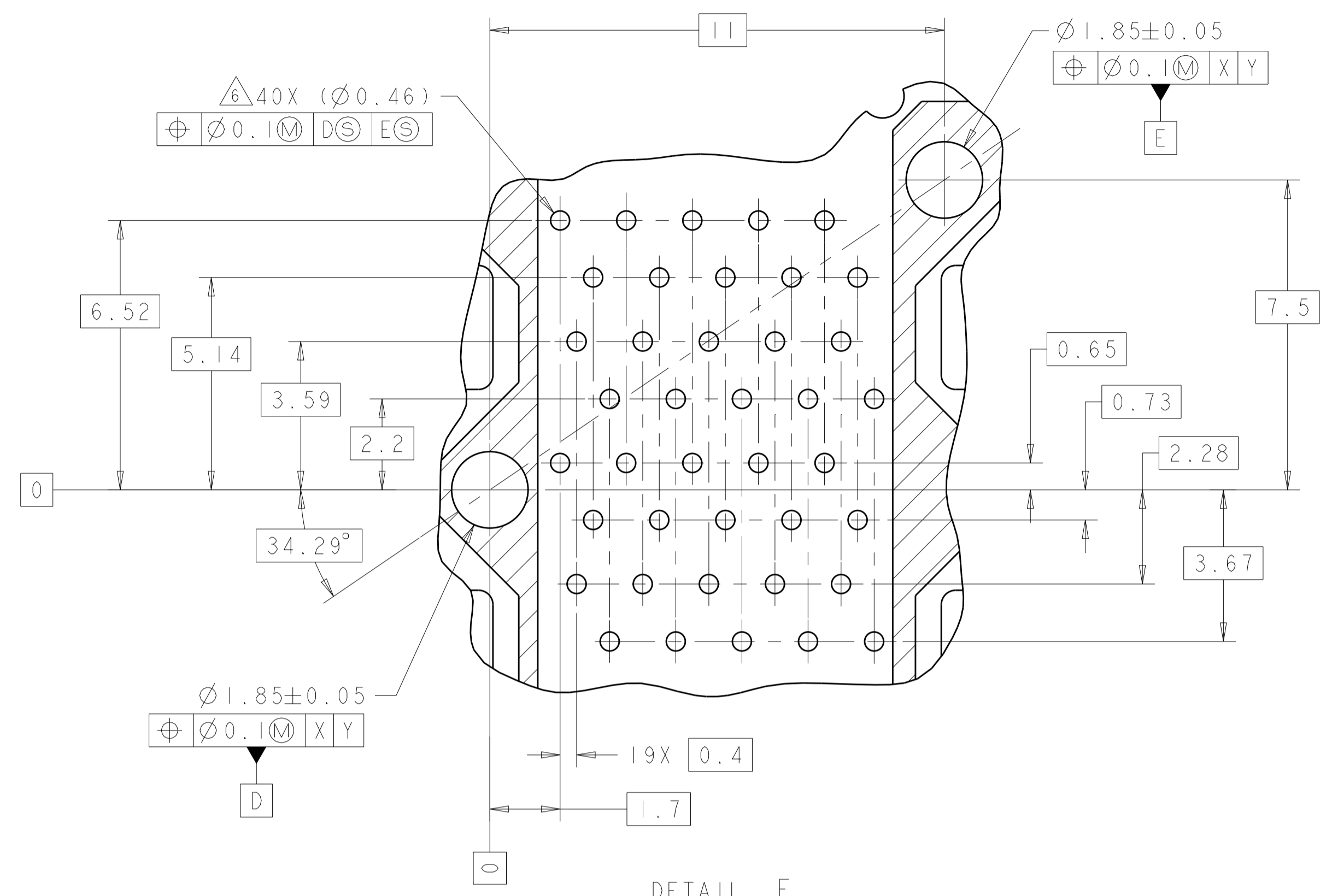
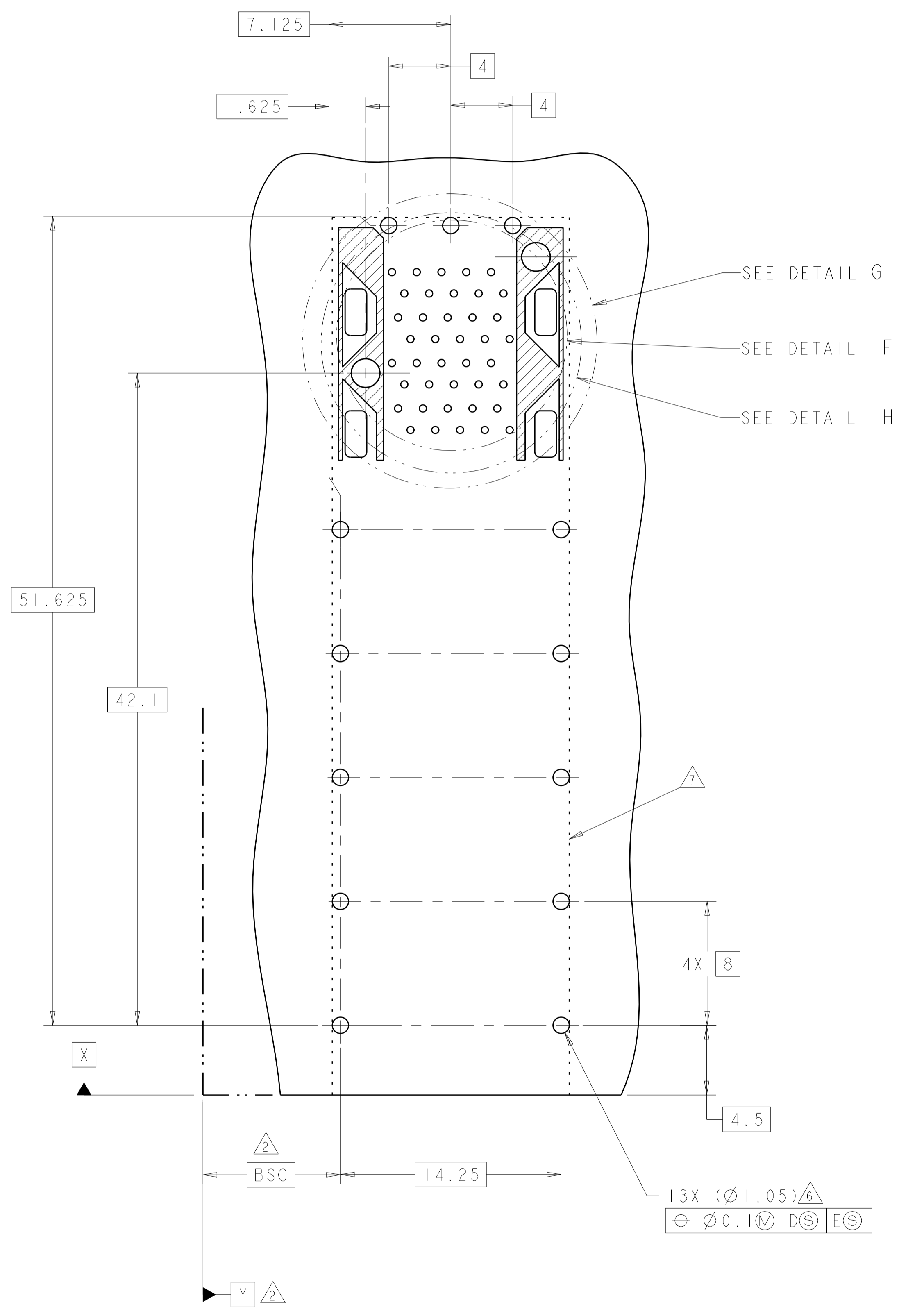
2007492-7 AND 1-2007492-7
 SCALE 3:1



2007492-8 AND 1-2007492-8
 SCALE 3:1

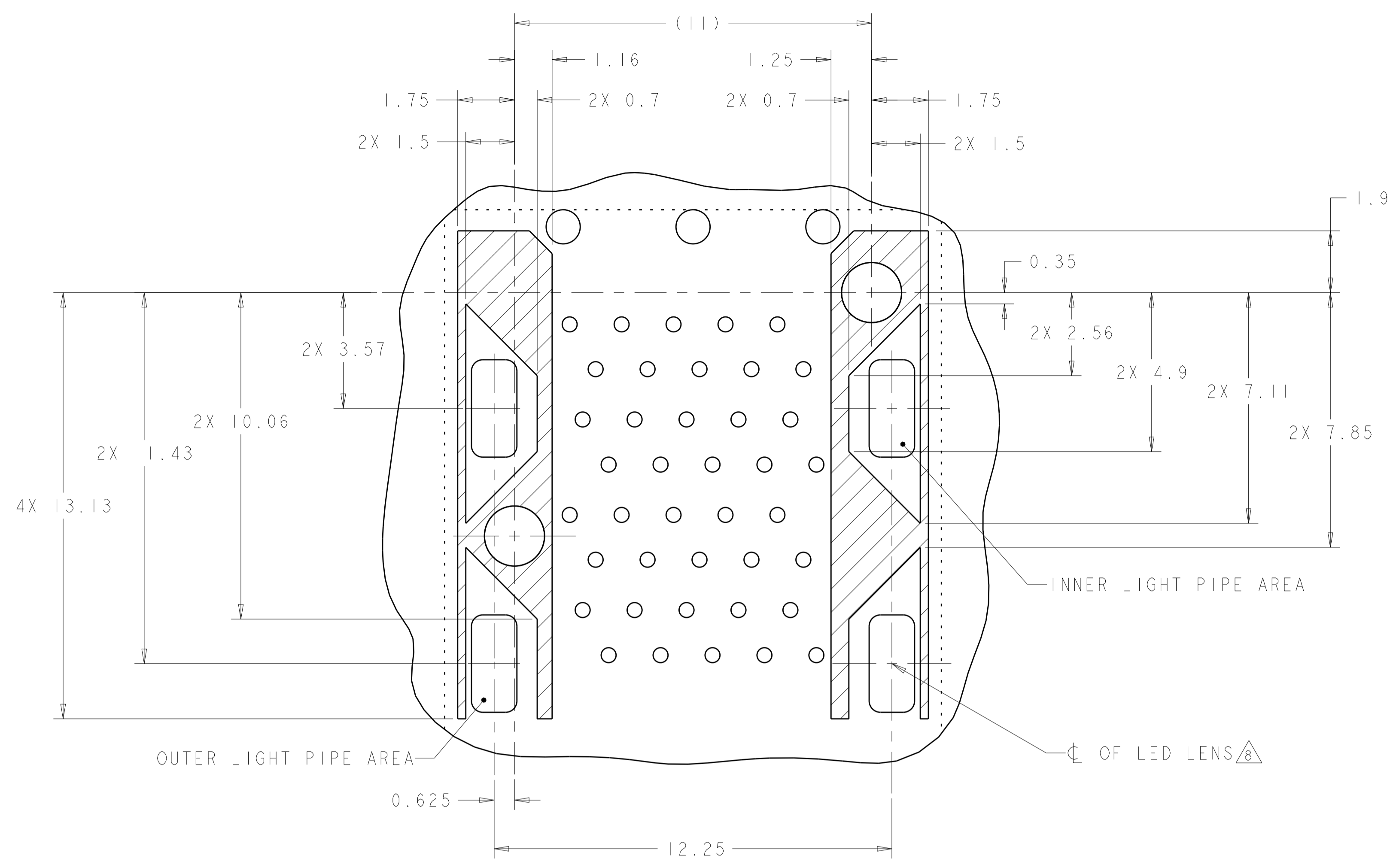
THIS DRAWING IS A CONTROLLED DOCUMENT. DIMENSIONING AND TOLERANCING PER ASME Y14.5M-2009.		DWN: M. SHIRK 30NOV2007	 TE Connectivity
DIMENSIONS: mm		CHK: D. SZCZESNY 30NOV2007	
TOLERANCES UNLESS OTHERWISE SPECIFIED:		APVD: D. SZCZESNY 30NOV2007	NAME: CAGE AND PT CONNECTOR ASSEMBLY, WITH EMI SPRINGS, PRESS FIT, 2X1, STACKED SFP+
0 PLC ±0.10		PRODUCT SPEC: 108-2331	
1 PLC ±0.10		APPLICATION SPEC: 114-13219	SIZE: A100779C=2007492
2 PLC ±0.10		WEIGHT: -	
3 PLC ±0.10		CUSTOMER DRAWING	RESTRICTED TO: -
4 PLC ±0.10		SCALE: 5:1	SHEET: 2 OF 4
ANGLES: ±°			REV: D
FINISH: -			

LOC	DIST	REV	DATE	APPV
GP	00			
DESCRIPTION		DATE	DWN	APPV
SEE SHEET 1				

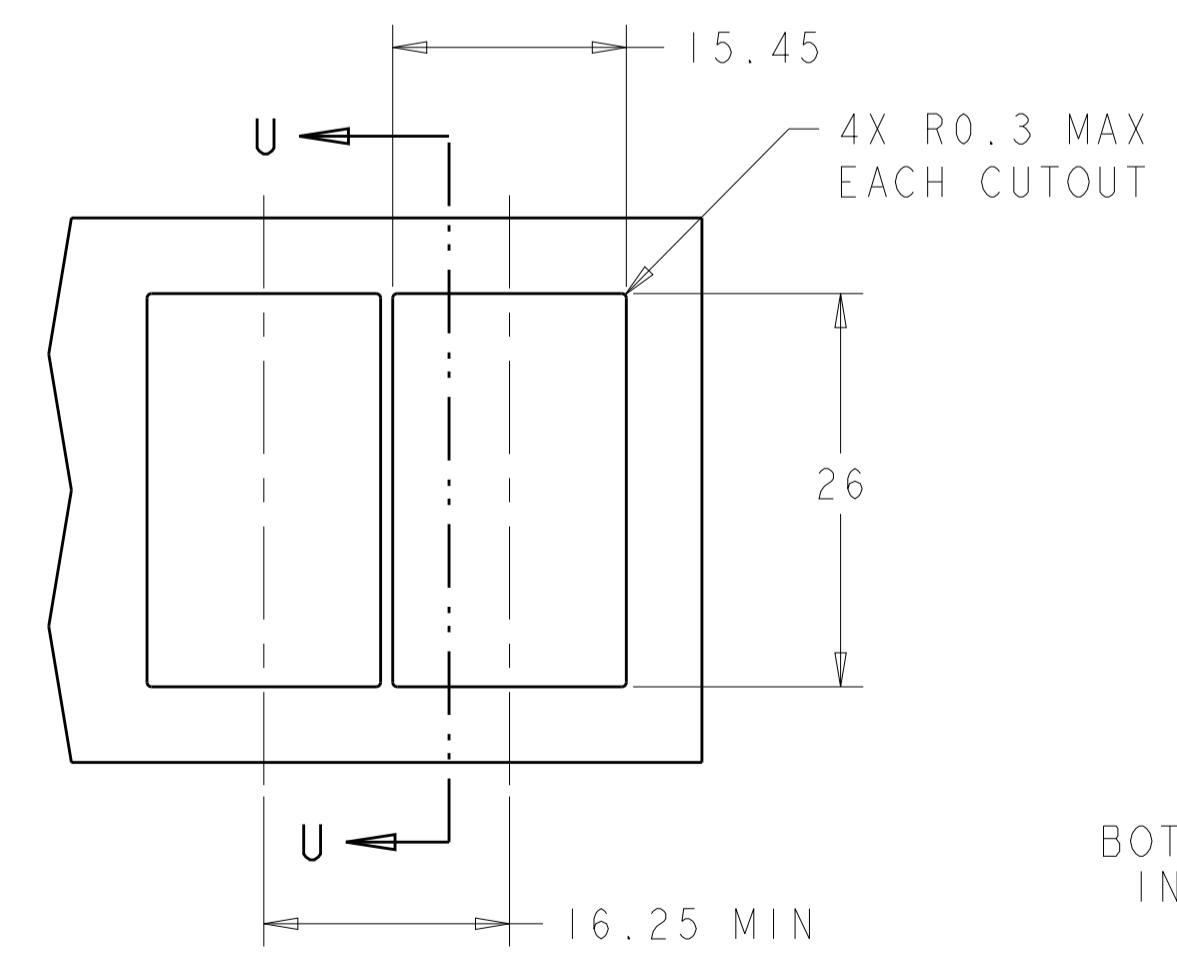


THIS DRAWING IS A CONTROLLED DOCUMENT. DIMENSIONING AND TOLERANCING PER ASME Y14.5M-2009		DWN: M. SHIRK 30NOV2007 CHK: D. SZCZESNY 30NOV2007 APPV: D. SZCZESNY 30NOV2007	TE Connectivity NAME: CAGE AND PT CONNECTOR ASSEMBLY, WITH EMI SPRINGS, PRESS FIT, 2X1, STACKED SFP+
DIMENSIONS: mm	TOLERANCES UNLESS OTHERWISE SPECIFIED: 0 PLC ±0.10 1 PLC ±0.10 2 PLC ±0.10 3 PLC ±0.10 4 PLC ±0.10 ANGLES ±°	PRODUCT SPEC: 108-2331 APPLICATION SPEC: 114-13219 WEIGHT: -	
MATERIAL:	FINISH:	CUSTOMER DRAWING	SCALE: 5:1 SHEET 3 OF 4 REV D

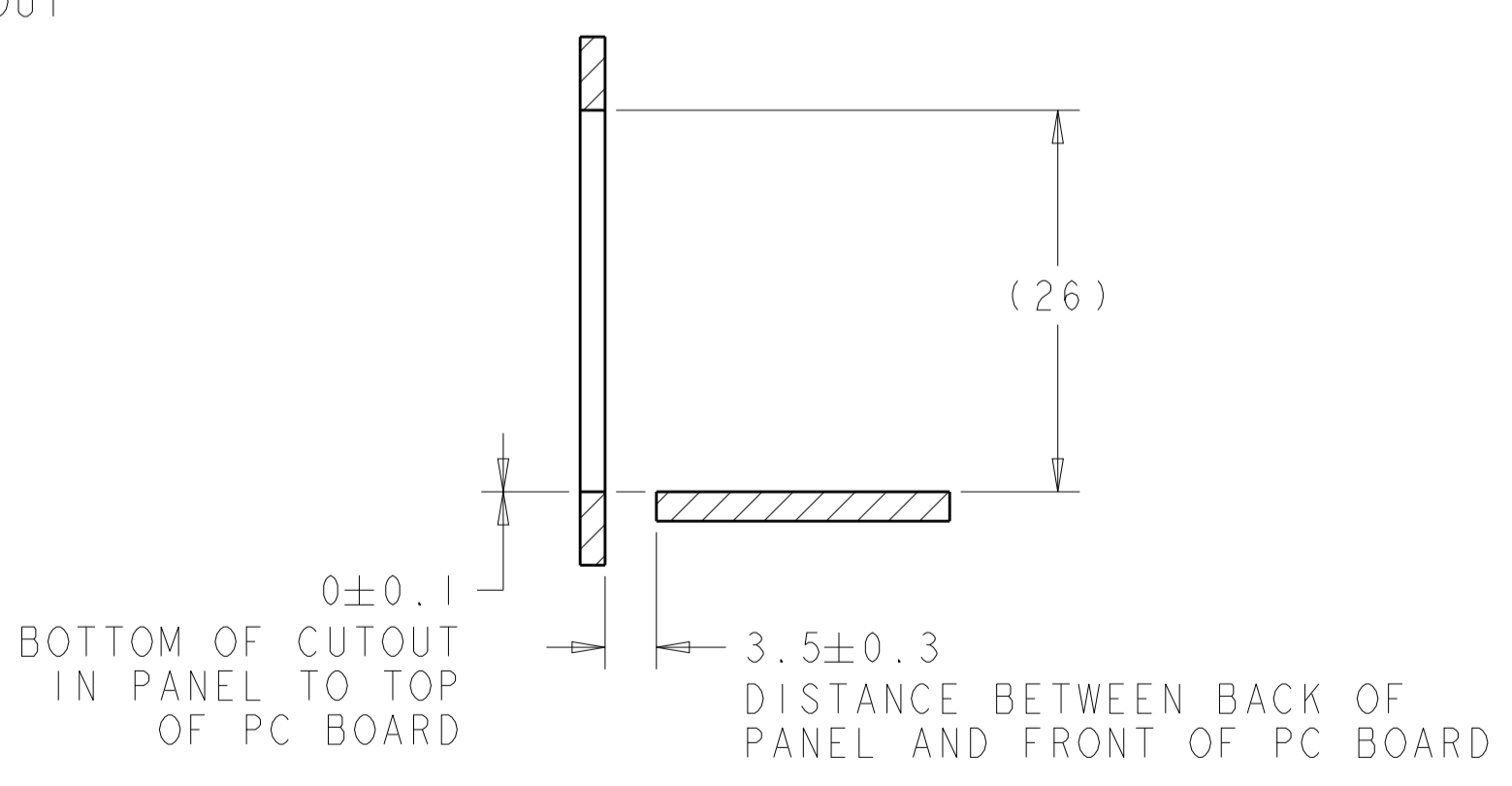
LOC	DIST	REVISIONS					
GP	00	P	LTN	DESCRIPTION	DATE	DWN	APVD
		-		SEE SHEET 1		-	-



DETAIL G
CONNECTOR HOUSING
KEEPOUT ZONE
SCALE 10:1



RECOMMENDED PANEL CUTOUT
AND PC BOARD, PANEL POSITION
SCALE 2:1



SECTION U-U

THIS DRAWING IS A CONTROLLED DOCUMENT. DIMENSIONING AND TOLERANCING PER ASME Y14.5M-2009.		DWN: M. SHIRK 30NOV2007 CHK: D. SZCZESNY 30NOV2007 APVD: D. SZCZESNY 30NOV2007	TE Connectivity NAME CAGE AND PT CONNECTOR ASSEMBLY, WITH EMI SPRINGS, PRESS FIT, 2X1, STACKED SFP+															
DIMENSIONS: mm	TOLERANCES UNLESS OTHERWISE SPECIFIED:	PRODUCT SPEC 108-2331 APPLICATION SPEC 114-13219 WEIGHT - CUSTOMER DRAWING																
<table border="1"> <tr> <th>PLC</th> <th>TOLERANCE</th> </tr> <tr> <td>0 PLC</td> <td>±0.10</td> </tr> <tr> <td>1 PLC</td> <td>±0.10</td> </tr> <tr> <td>2 PLC</td> <td>±0.10</td> </tr> <tr> <td>3 PLC</td> <td>±0.10</td> </tr> <tr> <td>4 PLC</td> <td>±0.10</td> </tr> <tr> <td>ANGLES</td> <td>±°</td> </tr> <tr> <td>FINISH</td> <td>±</td> </tr> </table>	PLC	TOLERANCE	0 PLC	±0.10	1 PLC	±0.10	2 PLC	±0.10	3 PLC	±0.10	4 PLC	±0.10	ANGLES	±°	FINISH	±	SIZE CAGE CODE DRAWING NO. RESTRICTED TO A100779C=2007492 SCALE 5:1 SHEET 4 OF 4 REV D	
PLC	TOLERANCE																	
0 PLC	±0.10																	
1 PLC	±0.10																	
2 PLC	±0.10																	
3 PLC	±0.10																	
4 PLC	±0.10																	
ANGLES	±°																	
FINISH	±																	

Mouser Electronics

Authorized Distributor

Click to View Pricing, Inventory, Delivery & Lifecycle Information:

[TE Connectivity:](#)

[1-2007492-8](#)