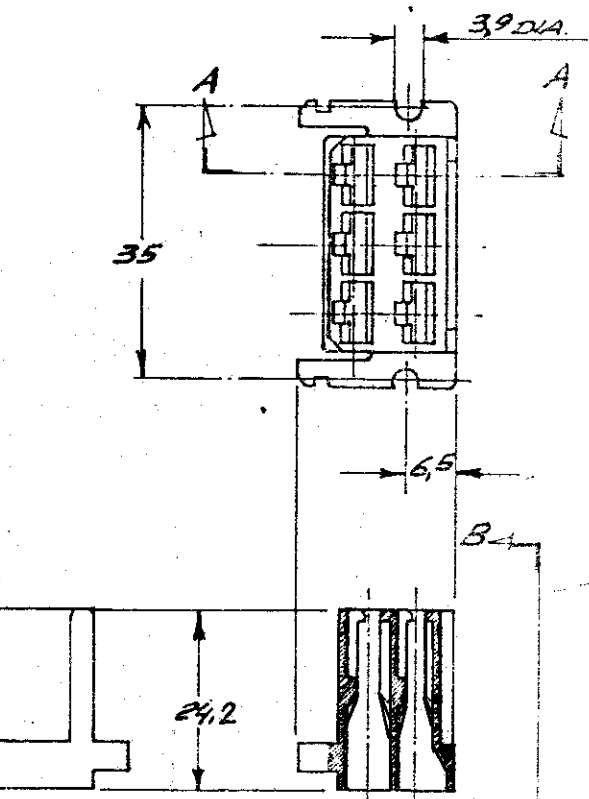
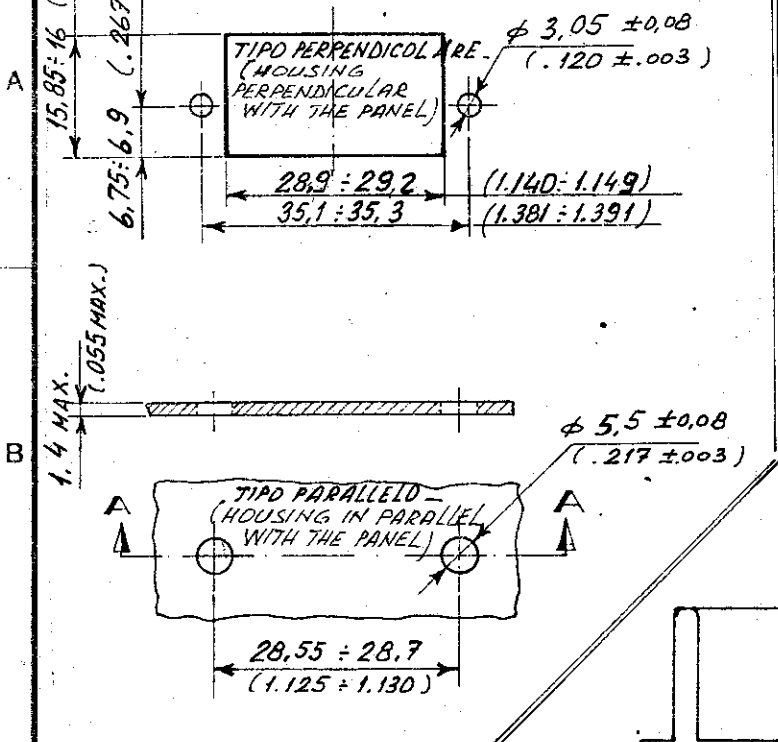


DIME DI FORATURA
(RECOMMENDED PANEL CUTOUT)

SCALA NON IMPEGNATIVA
(DO NOT SCALE)
DIMENSIONI IN mm
DIMENSIONS IN mm

METRIC

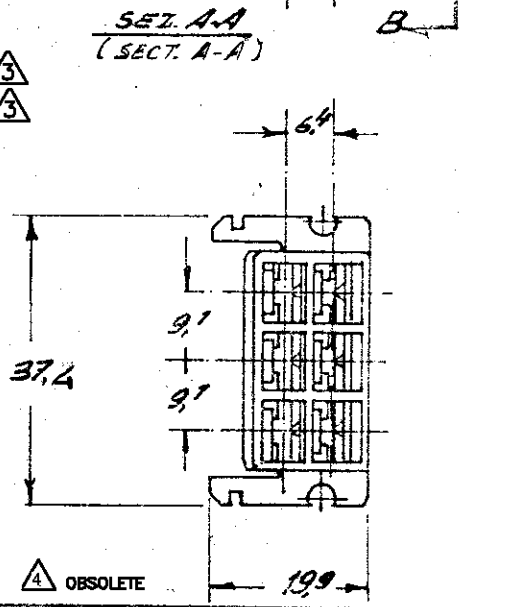
PROIEZIONE EUROPEA
(EUROPEAN PROJECTION)



NOTE: **NON PRODOTTO DALL' TE ITALIA; SOLO PER PRODUZIONE TE GERMANY. (NOT PRODUCED BY TE ITALY; FOR TE GERMANY PRODUCT ONLY)**

OBsolete PARTS: OBSOLETE CIS STREAMLINING PER D.RENAUD/D.SINISI

NOTE (NOTES)	COLORE (COLOUR)	MATERIALE (MATERIAL)	NUMERO (PART NUMBER)
SEE NOTE (2)	CLEAR	180904-0	3-180904-0
NON IN PRODUZIONE (NOT AVAILABLE)	NEUTRO (CLEAR)	POLIAMMIDE 6.6 UNFILL (PA 6.6 F.R. 94V-0)	3-180904-0
	ARANCIO (ORANGE)		180904-1
	VIOLETTA (VIOLET)		180904-2
	GRIGIO (GRAY)		180904-3
	MARRONE (BROWN)		180904-4
	NERO (BLACK)		180904-5
	GIALLO (YELLOW)		180904-6
	BLU (BLUE)		180904-7
	VERDE (GREEN)		180904-8
	ROSSO (RED)		180904-9
	NEUTRO (CLEAR)		180904-0



SAME AS 180904-0 EXCEPT PACKAGING: TWO PLASTIC BAG WITH 10 PIECES ON CARTON BOX 1/400

FINITURA / COLORE (FINISH / COLOUR)	MATERIALE (MATERIAL)	NUMERO (PART NUMBER)
-------------------------------------	----------------------	----------------------

CUSTOMER DWG. FOR REFERENCE ONLY **DISEGNO PER CLIENTE SOLO PER RIFERIMENTO**

THIS DRAWING IS UNPUBLISHED - RELEASE FOR PUBLICATION
© COPYRIGHT 19 BY TE INCORPORATED, HARRISBURG, PA ALL INTERNATIONAL RIGHT RESERVED TE PRODUCTS MAY BE COVERED BY U.S. AND FOREIGN PATENT AND/OR PATENT PENDING

AP2	ECR-10-022530	KK	11FEB11
AP1	REV PER ECO-10-000445	KK	JAN10
AP	Revised by E500-011-97	U	PROV
AN	Revised by E500-011-97	AP	EN 77
AM	Revised by E500-0052-97	AP	OCT 77
AL	Revised for ET00-0005-97	EN	101
N	RIVISTO E RIDISEGNATO, ELIMINATO I PINS CON NUMERAZ. SERIE RATA (REVISED & REDRAWN, OBSOLETE PINS WITH EXTRA NUMBERING)	CONT.	(CHG)
REV.	REVISIONI (REVISION RECORD)	DIS.	DATA (DATE)

TOLLERANZE: SE NON DIVERSAMENTE SPECIFICATO (TOLERANCES UNLESS OTHERWISE SPECIFIED)	DIAM. ISOLANTE (INS. DIA. RANGE)	RANGO FILO (WIRE RANGE)	SCALA (SCALE)
± 0,4	—	—	—
ANGOLI (ANGLES) ± 2°	TE Connectivity		
DIS. (DR.)	DESCRIZIONE (DESCRIPTION)		
	6 WAY FASTIN-FASTON REC. HOUSING - .250" SER.		
APP.	LOC.	SIZE	NUMERO (DWG. NO.)
	ALA	A	C-180904

REV.	REV.	Foglio (Sheet)
AP2	1	1

DISTRIBUZIONE (PRINT DIST.)

Mouser Electronics

Authorized Distributor

Click to View Pricing, Inventory, Delivery & Lifecycle Information:

[TE Connectivity:](#)

[180904](#)