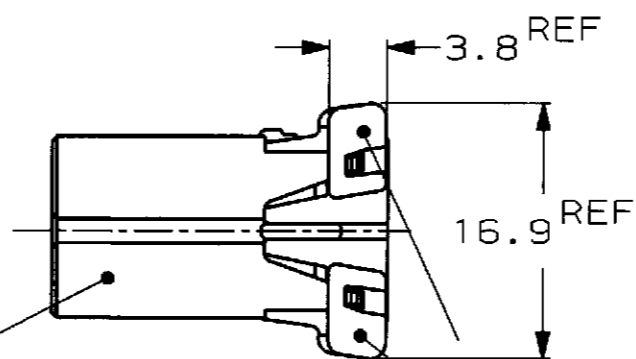
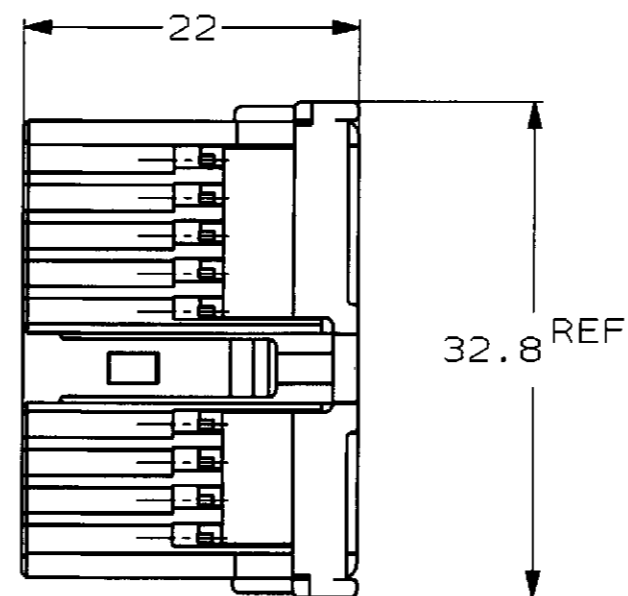
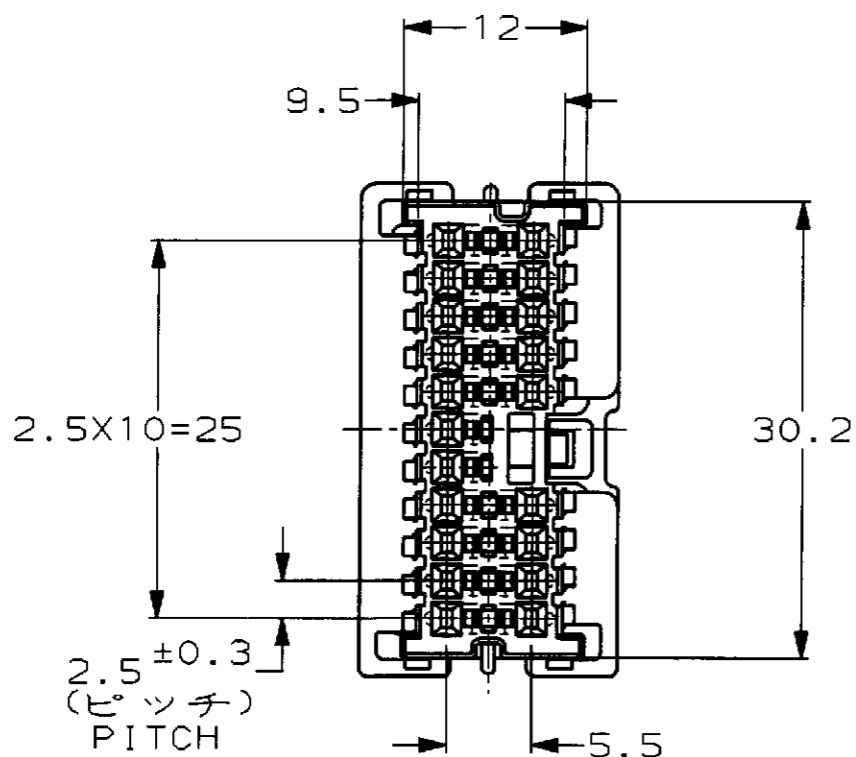
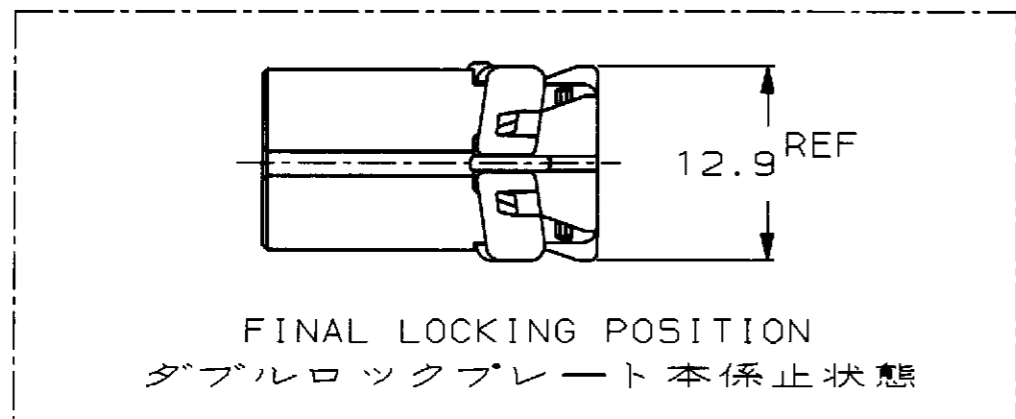


P	LTR	DESCRIPTION	ECN	DATE	DWN	APVD
A		再作成 REDRAWN	FJ00-0506-98	09APR98	TM	MT
B		変更 REVISED	FJ00-2023-98	26OCT98	TM	MT



PLUG HOUSING
プラグハウジング

DOUBLE LOCK PLATE (NATURAL)
ダブルロックプレート(自然色)



1123425-1	1123357-1	316836-1 316837-2 (Au)	自然色 (NATURAL)	1123379-1
電線対基板用 WIRE TO BOARD	電線対電線用 WIRE TO WIRE	適用端子型番 APPLICABLE CONTACT PART NUMBER	色 (COLOR)	型番 PART NUMBER
嵌合相手ハウジング型番 MATING HOUSING PART NUMBER				
THIS DRAWING IS A CONTROLLED DOCUMENT FOR AMP INCORPORATED. IT IS SUBJECT TO CHANGE AND THE CONTROLLING ENGINEERING ORGANIZATION SHOULD BE CONTACTED FOR THE LATEST REVISION.				
DIMENSIONS 単位・種 mm		TOLERANCES UNLESS OTHERWISE SPECIFIED		
MATERIAL 材料 PBT		FINISH 仕上		
CHK E. SASAKI		APVD M. TSUKAKOSHI		
PRODUCT SPEC 製品規格 108-5603 108-5607		NAME 040III MULTILOCK CONNECTOR 20POSITION PLUG HOUSING ASSEMBLY (WIRE TO WIRE) 040III マルチロック コネクタ 20極 プラグハウジング アッセンブリ (対電線用)		
APPLICATION SPEC 取付適用規格 114-5217		SIZE A3		
WEIGHT 4.5g		CAGE CODE 00779		
CUSTOMER DRAWING		DRAWING NO 1123379		
		RESTRICTED TO		
		SCALE 尺度 2:1		
		SHEET 1 OF 1		
		REV B		

Auto2/new/u.a98-0070/u.customer/sca-1123379

Mouser Electronics

Authorized Distributor

Click to View Pricing, Inventory, Delivery & Lifecycle Information:

[TE Connectivity:](#)

[1123379-1](#)