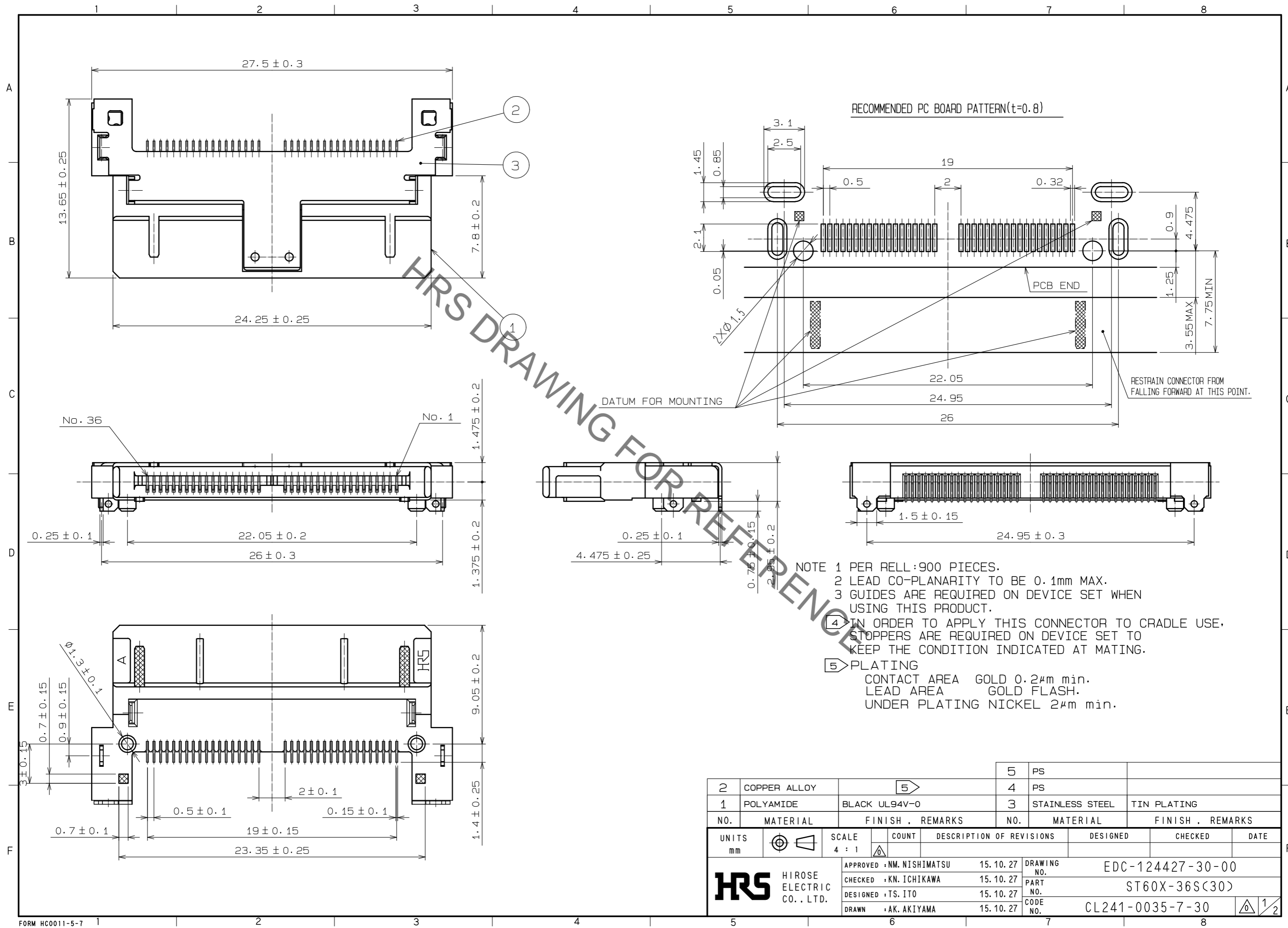


Jun.1.2021 Copyright 2021 HIROSE ELECTRIC CO., LTD. All Rights Reserved.
In case of consideration for using Automotive equipment / device which demand high reliability, kindly contact our sales window correspondents.



FORM HC0011-5-7

2	COPPER ALLOY		5	PS				
1	POLYAMIDE	BLACK UL94V-0	4	PS				
			3	STAINLESS STEEL	TIN PLATING			
NO.	MATERIAL	FINISH . REMARKS	NO.	MATERIAL	FINISH . REMARKS			
UNITS	mm	SCALE	4 : 1	COUNT	DESCRIPTION OF REVISIONS	DESIGNED	CHECKED	DATE
HRS HIROSE ELECTRIC CO., LTD.		APPROVED : NM. NISHIMATSU	15.10.27	DRAWING NO. EDC-124427-30-00				
		CHECKED : KN. ICHIKAWA	15.10.27	PART NO. ST60X-36S(30)				
		DESIGNED : TS. ITO	15.10.27	CODE NO. CL241-0035-7-30				
		DRAWN : AK. AKIYAMA	15.10.27					

Jun.1.2021 Copyright 2021 HIROSE ELECTRIC CO., LTD. All Rights Reserved.
 In case of consideration for using Automotive equipment / device which demand high reliability, kindly contact our sales window correspondents.

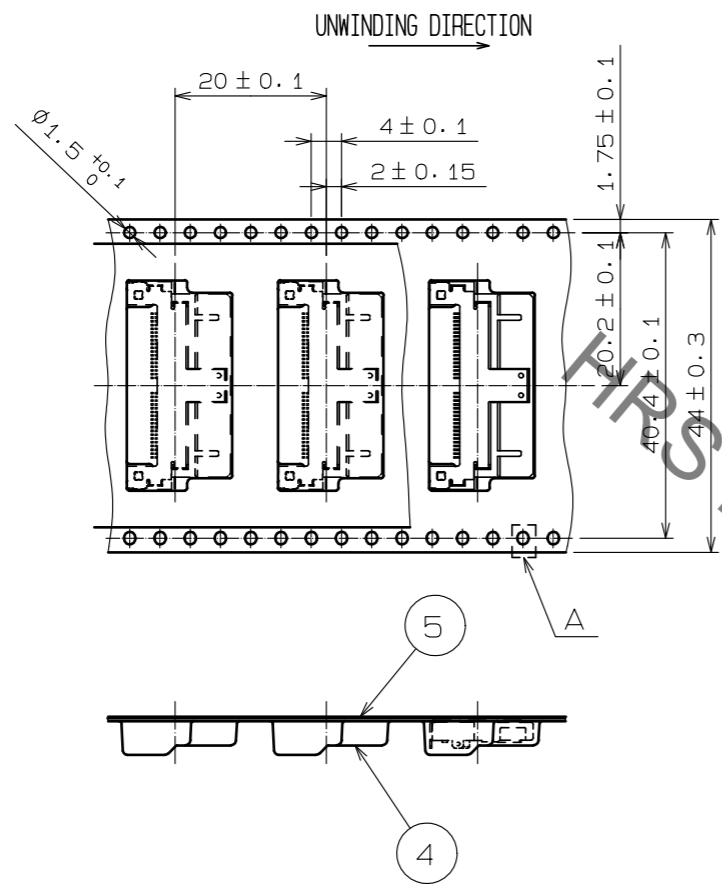


FIGURE FOR PACKING(FREE)

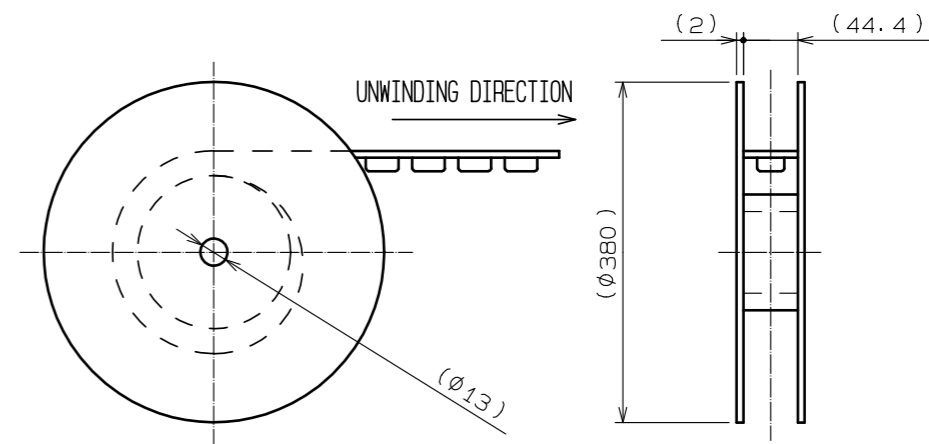
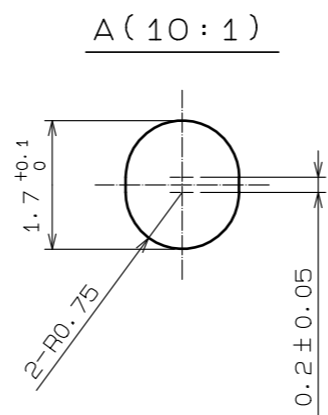
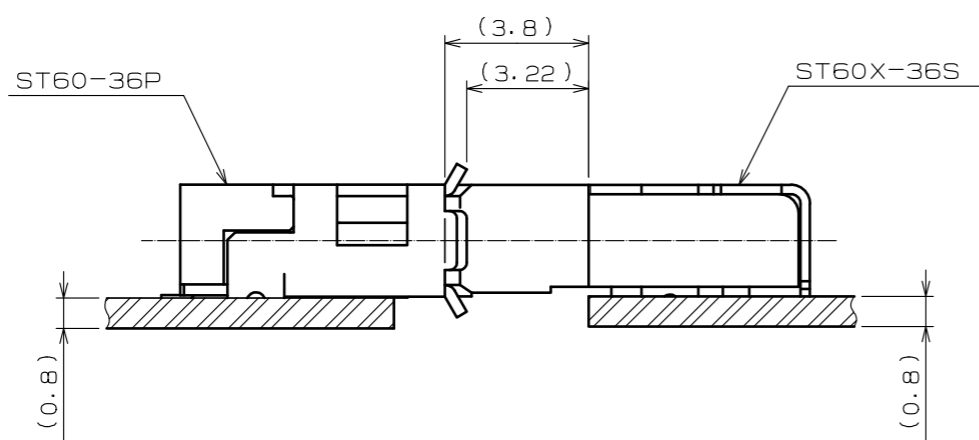
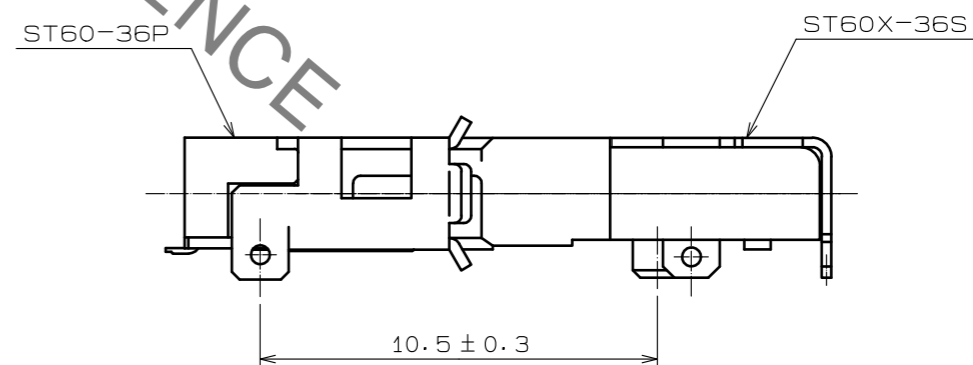


FIGURE OF MATING(5:1)



4 DIMENSIONAL DRAWING FOR CRADLE USE(5:1)



HRS	DRAWING NO.	EDC-124427-30-00
	PART NO.	ST60X-36S(30)
	CODE NO.	CL241-0035-7-30
		\triangle 2/2

Mouser Electronics

Authorized Distributor

Click to View Pricing, Inventory, Delivery & Lifecycle Information:

[Hirose Electric:](#)

[ST60X-36S\(30\)](#)