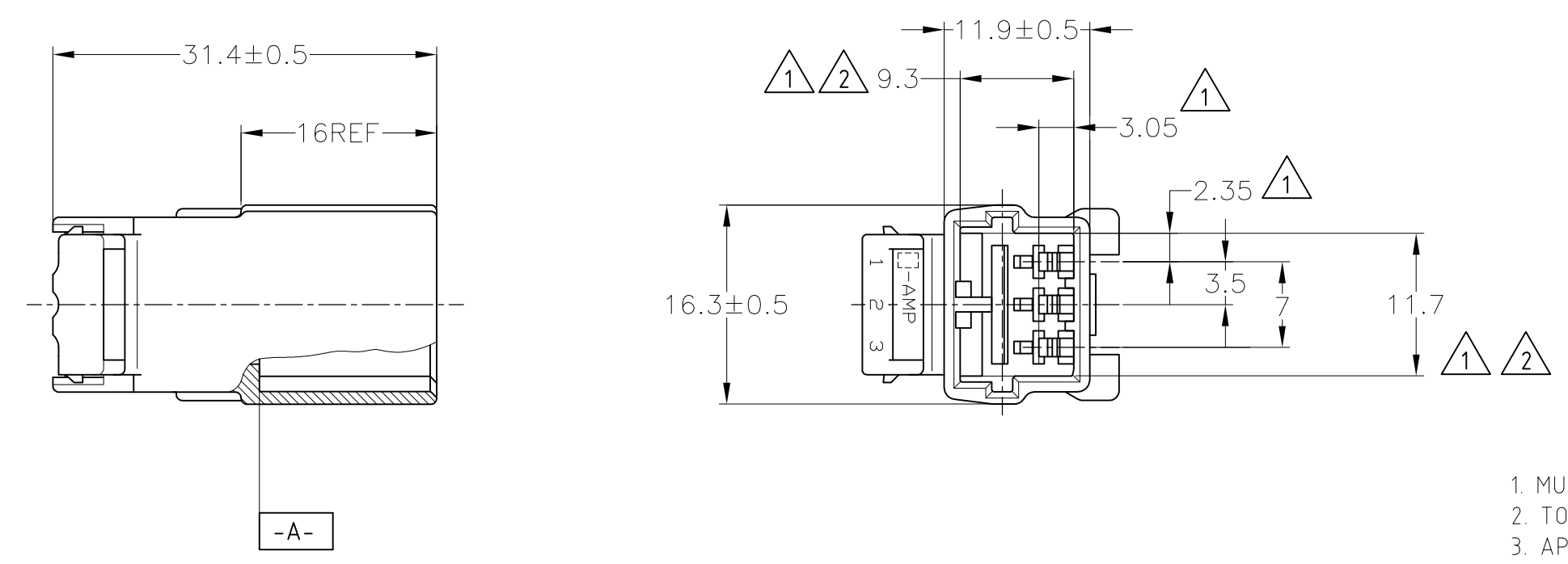


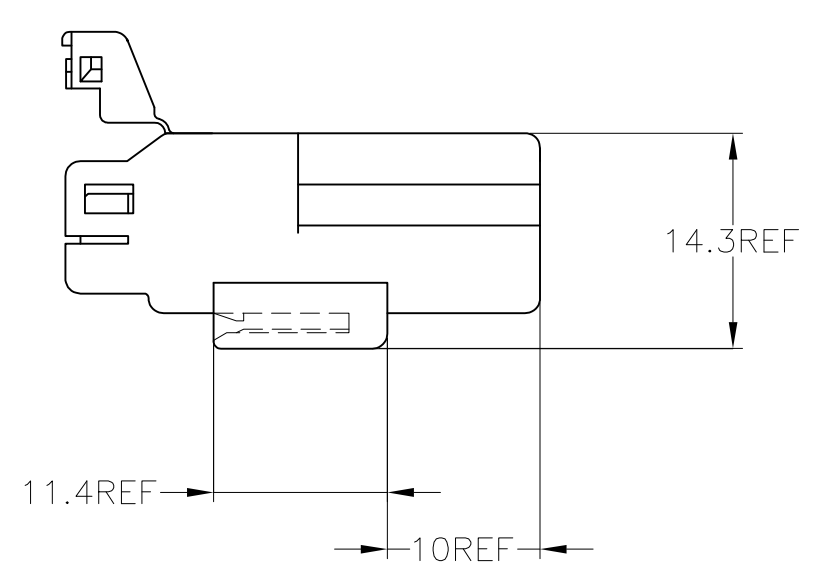
THIS DRAWING IS UNPUBLISHED. RELEASED FOR PUBLICATION  
 © COPYRIGHT - By - ALL RIGHTS RESERVED.

LOC	DIST	REVISIONS					
J	-	P	LTR	DESCRIPTION	DATE	DWN	APVD
			C2	REVISED PER ECO-11-005140	28MAR11	RK	HMR



1. MUST BE KEPT BETWEEN **-A-** AND 2
2. TO BE MATED WITH PLUG HOUSING SMOOTHLY
3. APPLIED TAB CONTACT; P/N 173633 AND 173645
4. APPLIED PLUG HOUSING; P/N 174921 etc

1. **-A-** 面より2mmの範囲で測定
2. 相手ハウジングと所定の昨日を満足して嵌合できること
3. 内装するリセプタクルコンタクトは型番173633、173645
4. 嵌合相手ハウジング型番174921 他



V-2	白 (WHITE)	1-174928-1
HB	黄 (YELLOW)	174928-7
	灰 (GRAY)	174928-6
	青 (BLUE)	174928-5
	緑 (GREEN)	174928-4
	黒 (BLACK)	174928-2
	白 (WHITE)	174928-1
使用材料難燃グレード (FLAMMABILITY OF MATERIAL)	色 (COLOR)	型番 (PART NUMBER)

THIS DRAWING IS A CONTROLLED DOCUMENT.

DWN	S.FUJITA	05DEC08	TE Connectivity
CHK	K.BETSUI	05DEC08	
APVD	K.BETSUI	05DEC08	
PRODUCT SPEC	NAME		
APPLICATION SPEC	070 SERIES MULTILOCK I/O CONNECTOR 3POSITION HOUSING WIRE TO WIRE		RESTRICTED TO
WEIGHT	-	A300779	C=174928
CUSTOMER DRAWING			SCALE 2:1 SHEET 1 OF 1 REV C2

TOLERANCES UNLESS OTHERWISE SPECIFIED:  
一般公差

10 ≥	±0.2
30 ≥ > 10	±0.25
> 30	±0.3
ANGLE	±3°

DIMENSIONS:	TOLERANCES UNLESS OTHERWISE SPECIFIED:
mm	
0 PLC	± -
1 PLC	± -
2 PLC	± -
3 PLC	± -
4 PLC	± -
ANGLES	± -
FINISH	-
MATERIAL	PBT

# Mouser Electronics

Authorized Distributor

Click to View Pricing, Inventory, Delivery & Lifecycle Information:

[TE Connectivity:](#)

[1-174928-1](#)