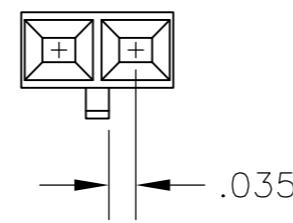
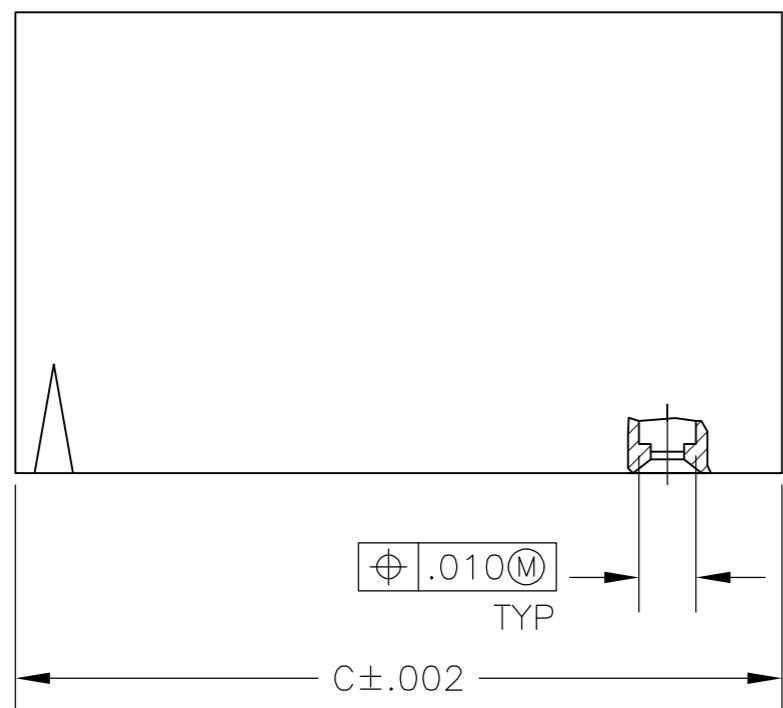
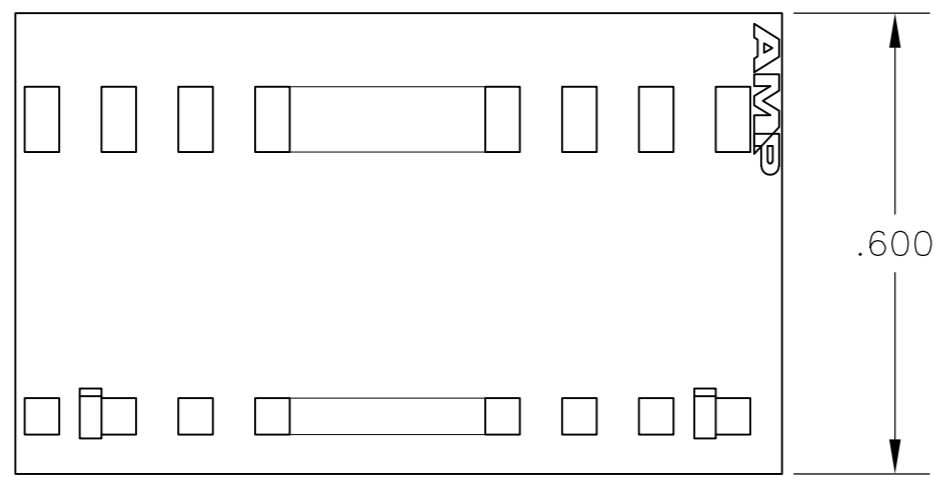
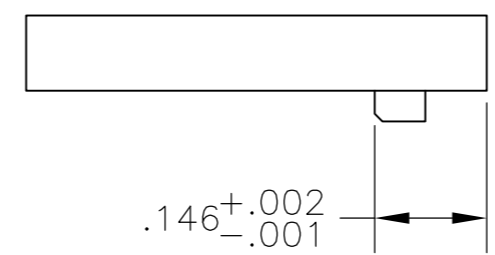
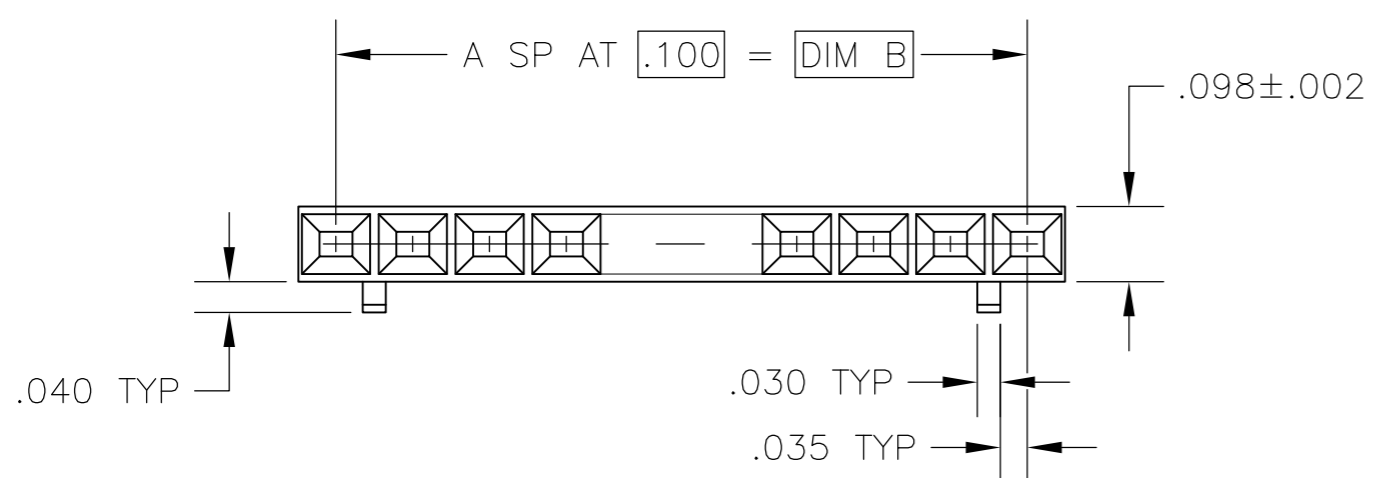


THIS DRAWING IS UNPUBLISHED. RELEASED FOR PUBLICATION
 © COPYRIGHT - By - ALL RIGHTS RESERVED.

| LOC | DIST | REVISIONS | | | |
|-----|------|-------------|---------------------------|---------|-------|
| P | LTR | DESCRIPTION | DATE | DWN | APVD |
| AD | 00 | G2 | REVISED PER ECO-12-013195 | 18JUL12 | KH MM |



DETAIL FOR -1 ONLY
(2 POSITION)



| | | | | |
|-------|-------|----|------------|-------------|
| 2.498 | 2.400 | 24 | 25 | 2-104503-4 |
| 2.398 | 2.300 | 23 | 24 | 2-104503-3 |
| 1.998 | 1.900 | 19 | 20 | 1-104503-9 |
| 1.598 | 1.500 | 15 | 16 | 1-104503-5 |
| 1.498 | 1.400 | 14 | 15 | 1-104503-4 |
| 1.398 | 1.300 | 13 | 14 | 1-104503-3 |
| 1.298 | 1.200 | 12 | 13 | 1-104503-2 |
| 1.198 | 1.100 | 11 | 12 | 1-104503-1 |
| 1.098 | 1.000 | 10 | 11 | 1-104503-0 |
| .998 | .900 | 9 | 10 | 104503-9 |
| .898 | .800 | 8 | 9 | 104503-8 |
| .798 | .700 | 7 | 8 | 104503-7 |
| .698 | .600 | 6 | 7 | 104503-6 |
| .598 | .500 | 5 | 6 | 104503-5 |
| .498 | .400 | 4 | 5 | 104503-4 |
| .398 | .300 | 3 | 4 | 104503-3 |
| .298 | .200 | 2 | 3 | 104503-2 |
| .198 | .100 | 1 | 2 | 104503-1 |
| C | B | A | NO OF POSN | PART NUMBER |

THIS DRAWING IS A CONTROLLED DOCUMENT.

| | | |
|------|-----------|----------|
| DWN | D KEITZER | 12-21-88 |
| CHK | H. MOLL | 12-22-88 |
| APVD | C. SINISI | 12-22-88 |

TE Connectivity

PIN HOUSING, AMPMODU®
MTE, SINGLE ROW, .100 C/L,
WITH GUIDE RIBS

| | | | | | | | |
|-------|-----|-----------|--------|------------|----------|---------------|---|
| SIZE | A2 | CAGE CODE | 00779 | DRAWING NO | C=104503 | RESTRICTED TO | - |
| SCALE | 4:1 | SHEET | 1 of 1 | REV | G2 | | |

CUSTOMER DRAWING

Mouser Electronics

Authorized Distributor

Click to View Pricing, Inventory, Delivery & Lifecycle Information:

[TE Connectivity:](#)

[104503-5](#)