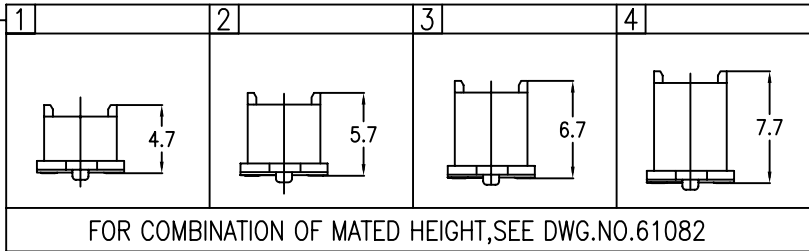




61083-

NUMBER OF POSITIONS	
04	2 X20
06	2 X30
08	2 X40
10	2 X50
12	2 X60
14	2 X70
16	2 X80
18	2 X90
20	2 X100



PACKAGING	
0	TUBE WITHOUT CAP
2	TAPE & REEL WITH CAP
9	TUBE WITH CAP
3	TRAY WITH CAP

POLARIZATION PEG		HOLD DOWN	
0	YES	NO	
2	NO	NO	
4	YES	YES(note 6.)	

PLATING ON CONTACT AREA.		
0	GOLD 0.2 um MIN. / TIN LEAD SOLDER	EMPTY
1	PALLADIUM-NICKEL 0.76 umMIN. WITH GOLD FLASH (0.1 um MIN.) / TIN LEAD SOLDER	EMPTY
4	GOLD 0.2 um MIN. / MATT PURE TIN ON SOLDER TAIL (LEAD FREE PLATING)	LF (note 7&9.)
5	GOLD 0.38 um / MATT PURE TIN ON SOLDER TAIL (LEAD FREE PLATING)	LF (note 7.)
6	PALLADIUM-NICKEL 0.76 umMIN. WITH GOLD FLASH (0.1 um MIN.) / MATT PURE TIN ON SOLDER TAIL (LEAD FREE PLATING)	LF (note 7&9.)

NOTES:

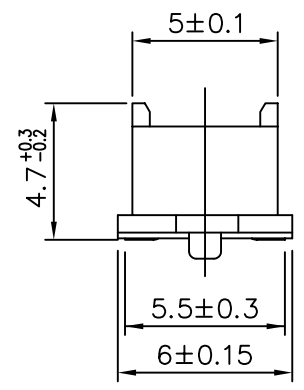
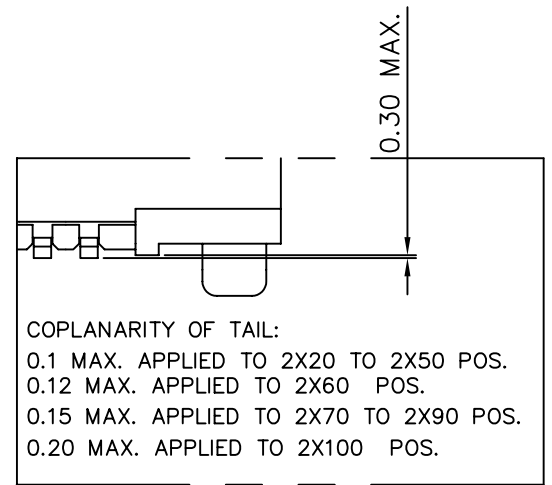
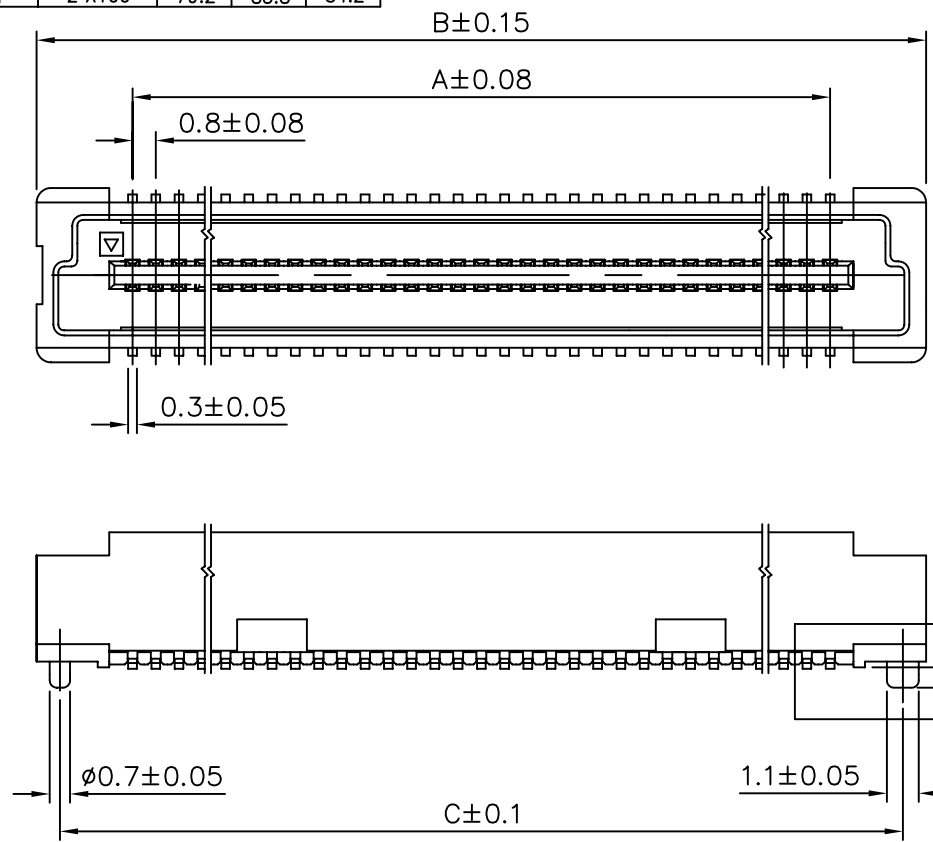
- MATERIAL:**
HOUSING: G.F.LCP UL94V-0
TERMINAL: BRASS
- PLATING:**
AS TABLE SHOW.
- SEE GS-12-148 FOR PRODUCT SPECIFICATION.
- SEE GS-14-551 AND GS-14-816 FOR PACKAGING SPECIFICATION.
- PACKING OPTION 3: "CUSTOMER-SPECIFIC; LIMITED TO CERTAIN SIZES"
PACKING OPTION 2: NOT ALL SIZES AVAILABLE; CHECK WITH FACTORY"
- ONLY PLUG 1: 80 POSITIONS AVAILABLE.
- THIS PRODUCT MEETS EUROPEAN UNION DIRECTIVES AND OTHER COUNTRY REGULATIONS AS DESCRIBED IN GS-22-008
- THE HOUSING WILL WITHSTAND EXPOSURE TO 260°C PEAK TEMPERATURE FOR 10 SECONDS IN A CONVECTION, INFRA-RED OR VAPOR PHASE REFLOW OVEN.
- PLATING OPTION '4' IS LEADFREE ALTERNATIVE FOR OPTION '0', AND OPTION '6' IS LEADFREE ALTERNATIVE FOR OPTION '1'.

mat'l. code				tolerances unless otherwise specified				CUSTOMER COPY		 www.fciconnect.com				
ltr	ecn no	dr	date					projection		title				
N	T03-0458	M W	10/17/03	linear				.X ± 0.20		0.8mm BOARD TO BOARD PLUG ASS'Y				
P	S03-171	M W	01/30/04					.XX ± 0.15						
R	T04-0094	M W	03/05/04	angles				.XXX ± 0.10						
S	S04-0133	M W	06/23/04	dr	MAGGIE WU	03/26/99			 MM		product family	BERGSTAK	code	
T	S04-0167	C H	07/30/04	engr	YU WEN CHU	03/26/99					size	dwg no		
U	S05-0098	C H	03/31/05	chr	CHEN HONG	10/14/05			scale	4:1	A4	61083	sheet	1 of 7
V	S05-0288	M C	10/14/05	appd	NG JOEY	10/14/05								
sheet index	revision sheet	V	P	P	P	P	R	N						
		1	2	3	4	5	6	7						

cage code
22526



PRODUCT NO.	NUMBER OF POSITIONS	DIMENSION		
		A	B	C
61083-041***	2 X20	15.2	21.8	20.2
61083-061***	2 X30	23.2	29.8	28.2
61083-081***	2 X40	31.2	37.8	36.2
61083-101***	2 X50	39.2	45.8	44.2
61083-121***	2 X60	47.2	53.8	52.2
61083-141***	2 X70	55.2	61.8	60.2
61083-161***	2 X80	63.2	69.8	68.2
61083-181***	2 X90	71.2	77.8	76.2
61083-201***	2 X100	79.2	85.8	84.2



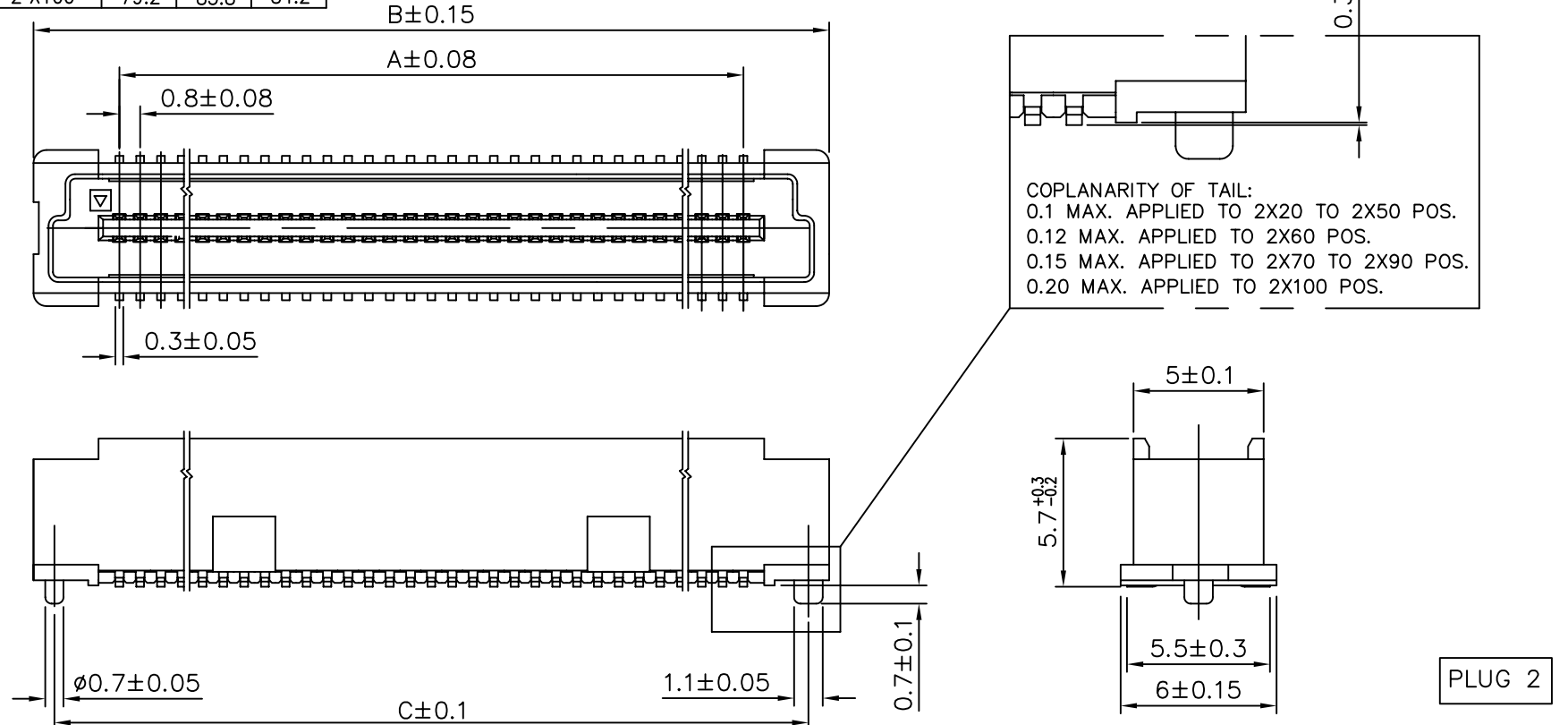
PLUG 1

mat'l. code				tolerances unless otherwise specified		CUSTOMER COPY		 www.fciconnect.com		
ltr	ecn no	dr	date	linear	.X ± 0.20	projection	title			
P					.XX ± 0.15		0.8mm BOARD TO BOARD PLUG ASS'Y			
				angles	.XXX ± 0.10					
					0° ± 2°	 MM	product family	BERGSTAK	code	
				dr	MAGGIE WU 03/26/99		scale	size	dwg no	sheet
				enrg	YU WEN CHU 03/26/99		4:1	A4	61083	2 of
				chr	YU WEN CHU 03/26/99					
				appd	JOSEPH HSIA 03/26/99					
sheet index	revision sheet									

cage code
22526



PRODUCT NO.	NUMBER OF POSITIONS	DIMENSION		
		A	B	C
61083-042***	2 X20	15.2	21.8	20.2
61083-062***	2 X30	23.2	29.8	28.2
61083-082***	2 X40	31.2	37.8	36.2
61083-102***	2 X50	39.2	45.8	44.2
61083-122***	2 X60	47.2	53.8	52.2
61083-142***	2 X70	55.2	61.8	60.2
61083-162***	2 X80	63.2	69.8	68.2
61083-182***	2 X90	71.2	77.8	76.2
61083-202***	2 X100	79.2	85.8	84.2

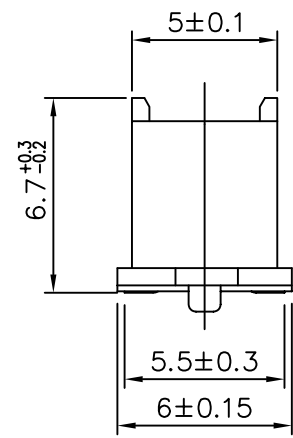
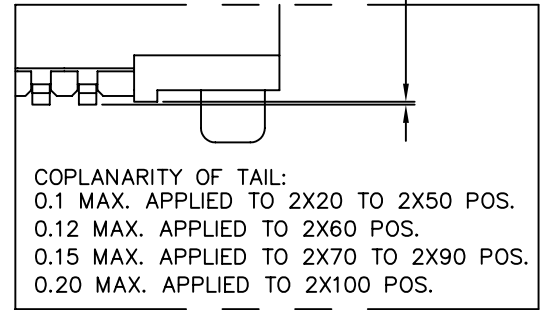
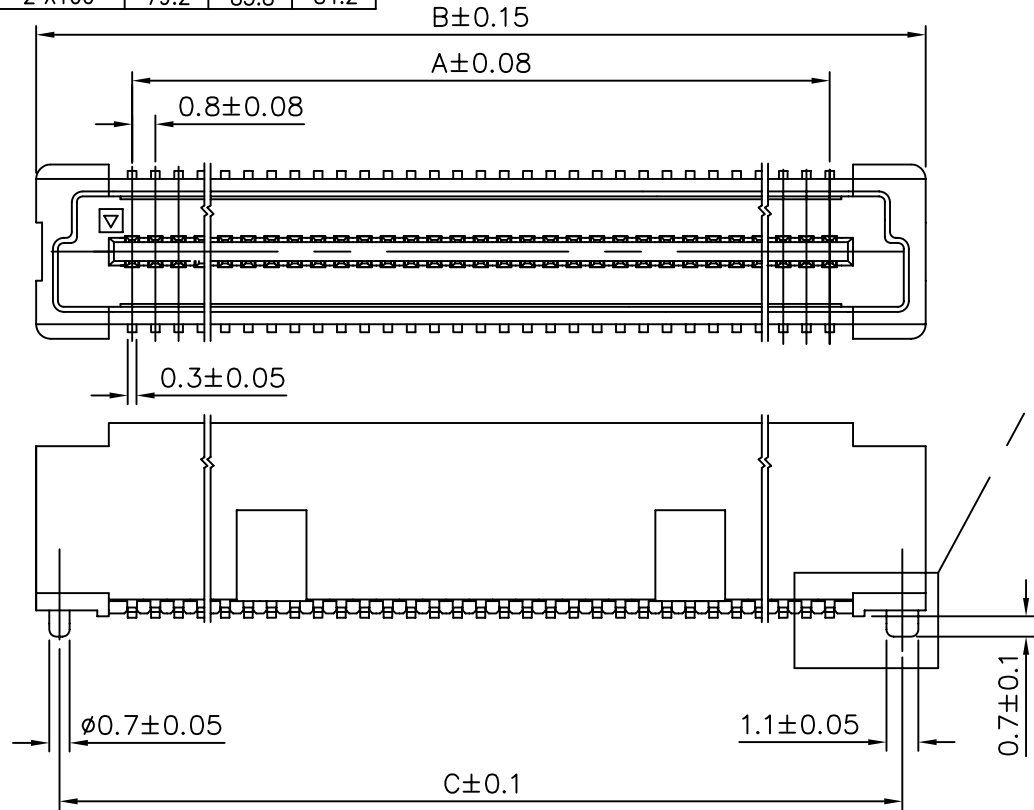


mat'l. code				tolerances unless otherwise specified		CUSTOMER COPY		 www.fciconnect.com		
ltr	ecn no	dr	date	linear	.X	projection		title		
P					.XX			0.8mm BOARD TO BOARD PLUG ASS'Y		
				angles	.XXX			product family BERGSTAK code		
				dr	0°	MM		size		
				engr	$\pm 2'$	scale		dwg no		
				chr	MAGGIE WU 03/26/99	4:1		61083		
				appd	YU WEN CHU 03/26/99			sheet 3 of		
					JOSEPH HSIA 03/26/99					
sheet index	revision sheet									

cage code
22526



PRODUCT NO.	NUMBER OF POSITIONS	DIMENSION		
		A	B	C
61083-043***	2 X20	15.2	21.8	20.2
61083-063***	2 X30	23.2	29.8	28.2
61083-083***	2 X40	31.2	37.8	36.2
61083-103***	2 X50	39.2	45.8	44.2
61083-123***	2 X60	47.2	53.8	52.2
61083-143***	2 X70	55.2	61.8	60.2
61083-163***	2 X80	63.2	69.8	68.2
61083-183***	2 X90	71.2	77.8	76.2
61083-203***	2 X100	79.2	85.8	84.2



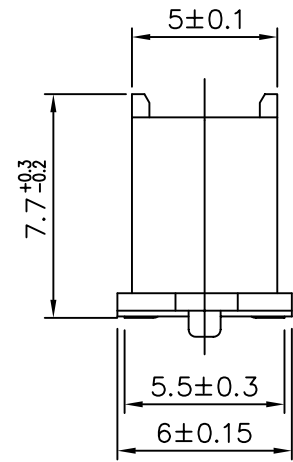
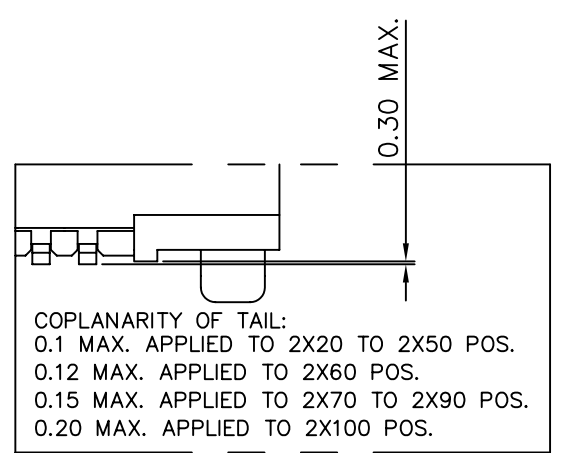
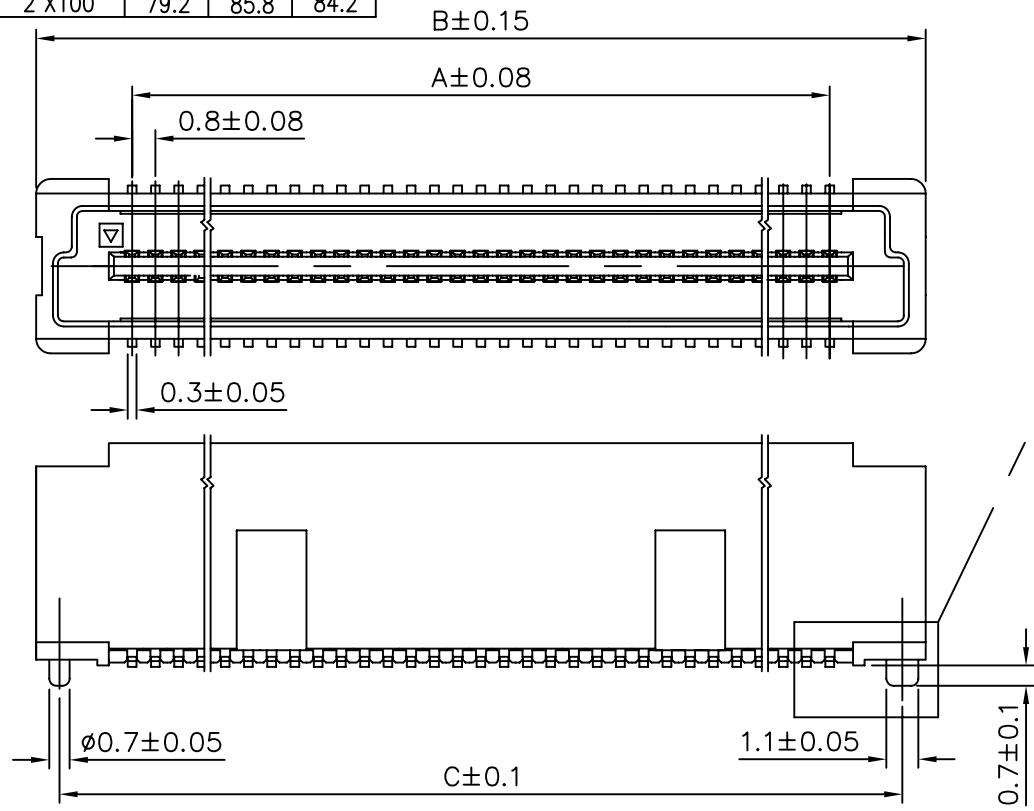
PLUG 3

mat'l. code				tolerances unless otherwise specified		CUSTOMER COPY		 www.fciconnect.com	
ltr	ecn no	dr	date	linear	.X ± 0.20	projection			
P					.XX ± 0.15			0.8mm BOARD TO BOARD	
				angles	.XXX ± 0.10		product family		code
				dr	0° ± 2°	BERGSTAK			
				engr	MAGGIE WU 03/26/99	size		sheet	
				chr	YU WEN CHU 03/26/99	A4		4 of	
				appd	JOSEPH HSIA 03/26/99	scale			
sheet index		revision sheet				4:1			

cage code
22526



PRODUCT NO.	NUMBER OF POSITIONS	DIMENSION		
		A	B	C
61083-044***	2 X20	15.2	21.8	20.2
61083-064***	2 X30	23.2	29.8	28.2
61083-084***	2 X40	31.2	37.8	36.2
61083-104***	2 X50	39.2	45.8	44.2
61083-124***	2 X60	47.2	53.8	52.2
61083-144***	2 X70	55.2	61.8	60.2
61083-164***	2 X80	63.2	69.8	68.2
61083-184***	2 X90	71.2	77.8	76.2
61083-204***	2 X100	79.2	85.8	84.2



mat'l. code				tolerances unless otherwise specified		CUSTOMER COPY		 www.fciconnect.com		
ltr	ecn no	dr	date	linear	.X ± 0.20	projection		title		
P					.XX ± 0.15			0.8mm BOARD TO BOARD PLUG ASS'Y		
				angles	.XXX ± 0.10	 MM	 4:1	product family	BERGSTAK	code
				dr	MAGGIE WU 03/26/99			size	A4	61083
				engr	YU WEN CHU 03/26/99					
				chr	YU WEN CHU 03/26/99					
				appd	JOSEPH HSIA 03/26/99					
sheet index	revision sheet									

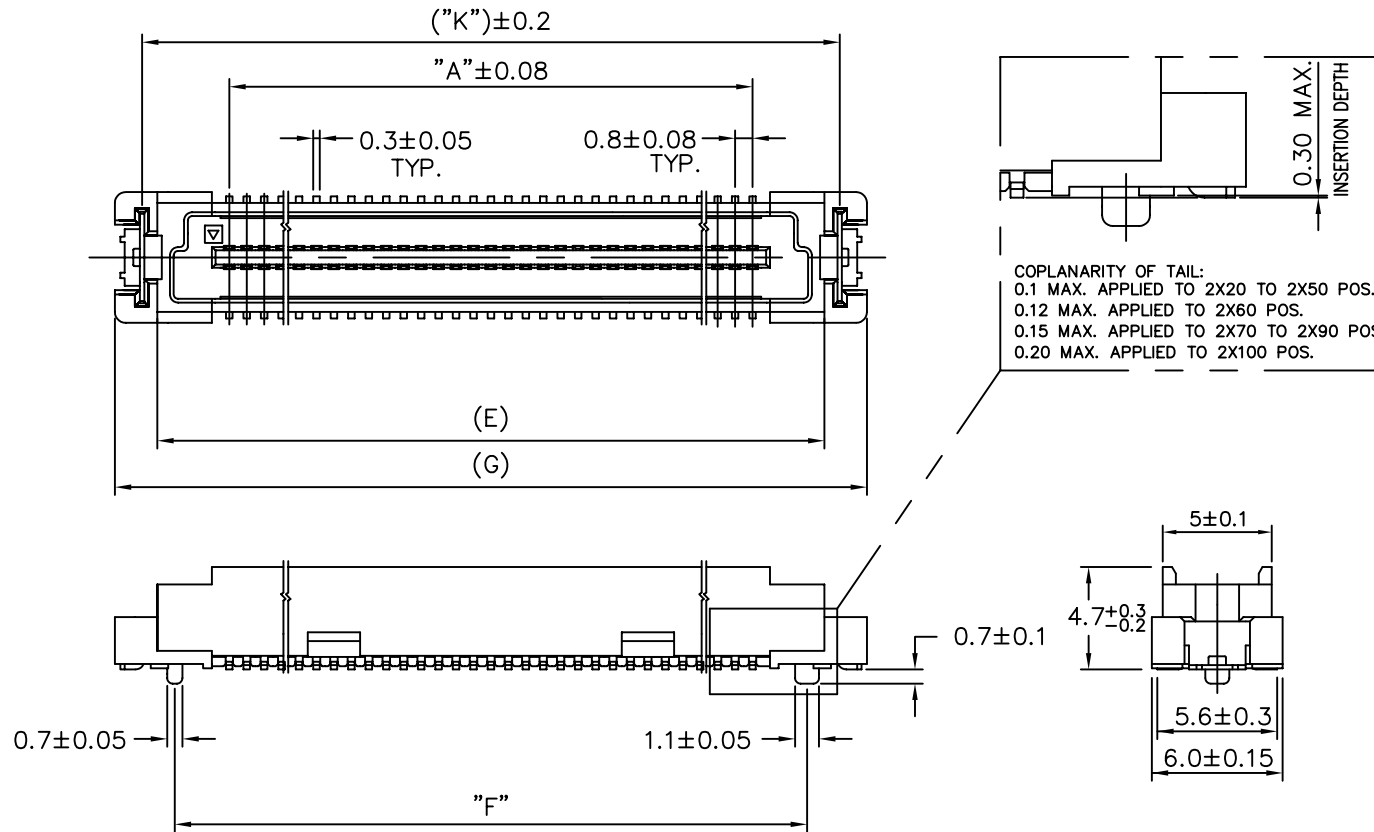
cage code 22526

All rights strictly reserved. Reproduction or issue to third parties in any form whatever is not permitted without written authority from the proprietor. Property of FCI. Copyright FCI.

Tous droits strictement réservés. Reproduction ou communication à des tiers interdite sous quelque forme que ce soit sans autorisation écrite du propriétaire. Propriété de c FCI. Droits de reproduction FCI.



PRODUCT NUMBER	POSITIONS	DIMENSION				
		"A"	"E"	"F"	"G"	"K"
61083-081***	2 X40	31.2	37.8	36.2	41.7	39.23



COPLANARITY OF TAIL:
 0.1 MAX. APPLIED TO 2X20 TO 2X50 POS.
 0.12 MAX. APPLIED TO 2X60 POS.
 0.15 MAX. APPLIED TO 2X70 TO 2X90 POS.
 0.20 MAX. APPLIED TO 2X100 POS.

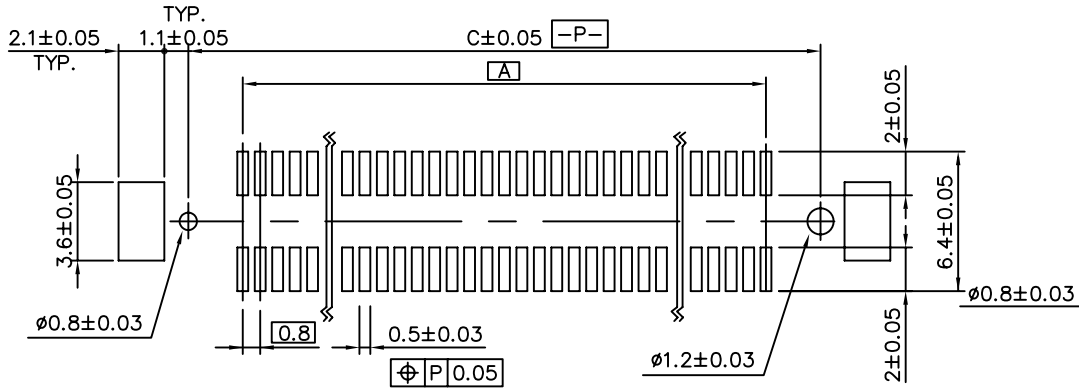
PLUG 1
FOR HOLD DOWN

mat'l. code				tolerances unless otherwise specified		CUSTOMER COPY		 www.fciconnect.com		
ltr	ecn no	dr	date	linear	.X ± 0.20	projection		title		
R					.XX ± 0.15			0.8mm BOARD TO BOARD PLUG ASS'Y		
				angles	.XXX ± 0.10			product family BERGSTAK code		
				dr	MAGGIE WU 03/26/99	MM		size		
				engr	YU WEN CHU 03/26/99			A4		61083
				chr	CHEN HONG 03/31/05	scale	3:1	cage code		
				appd	NG JOEY 03/31/05			22526		
sheet index	revision sheet									

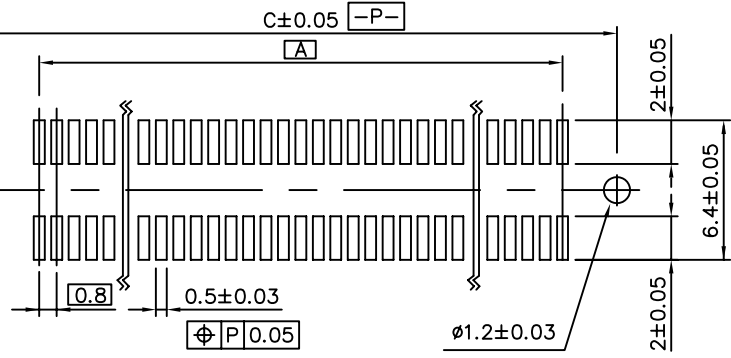
ACAD

cage code
22526

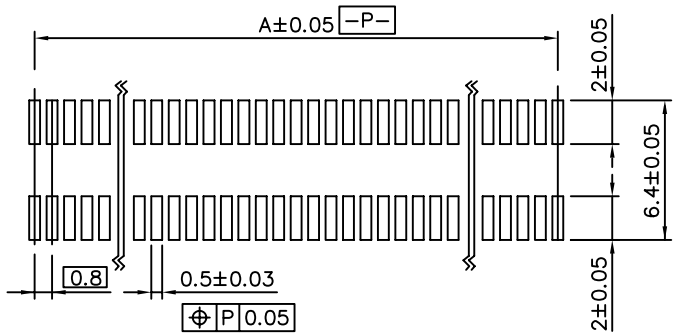
PDM: Rev:V STATUS: Released Printed: Aug 03, 2006



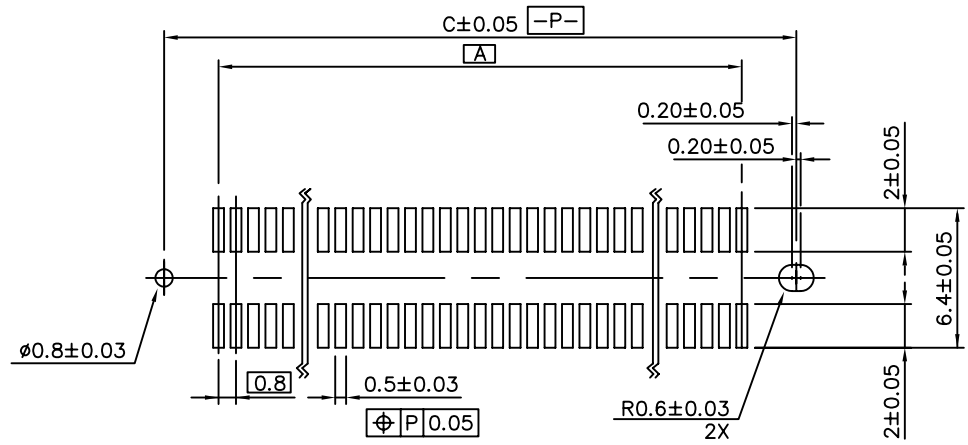
RECOMMENDED PCB LAYOUT WITH PEG AND HOLDDOWN FOR NO. OF POS. 2X40



RECOMMENDED PCB LAYOUT WITH PEG FOR NO. OF POS. 2X20, 2X30, 2X40, 2X50, 2X60



RECOMMENDED PCB LAYOUT WITHOUT PEG AND HOLDDOWN FOR NO. OF POS. 2X20, 2X30, 2X40, 2X50, 2X60



RECOMMENDED PCB LAYOUT WITH PEG FOR NO. OF POS. 2X70, 2X80, 2X90, 2X100

FOR PLUG 1/2/3/4

mat'l. code				tolerances unless otherwise specified		CUSTOMER COPY		 www.fciconnect.com	
ltr	ecn no	dr	date	linear	.X ± 0.20	projection	 title 0.8mm BOARD TO BOARD PLUG ASS'Y		
N					.XX ± 0.15				
				angles	.XXX ± 0.10	 MM	product family		code
					0° ± 2°			size	
				dr	MAGGIE WU 03/26/99	scale	BERGSTAK		7 of
				engr	YU WEN CHU 03/26/99		3:1	61083	
				chr	YU WEN CHU 03/26/99			A4	
				appd	JOSEPH HSIA 03/26/99				
sheet index	revision sheet							cage code	

cage code 22526