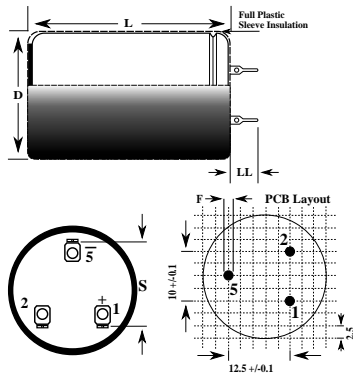


KEMET Part Number: ALP20A222AB040 Not for New Design
(A621CG222Q040A)

ALP20, Aluminum Electrolytic, 2,200 uF, -10/+30%, 40 VDC, -40/+85°C



Dimensions

D	25mm +/-1mm
L	45mm +/-2mm
S	12.5mm +/-0.1mm
LL	7.5mm +/-0.5mm
F	1.3mm

Packaging Specifications

Weight:	39 g
Sleeving:	Yes
Packaging:	Bulk, Bag

General Information

Supplier:	KEMET
Series:	ALP20
Dielectric:	Aluminum Electrolytic
Description:	Solder Pin, Aluminum Electrolytic
Features:	Solder Pin
RoHS:	Yes
Lead:	3 Pin Solder
AEC-Q200:	No
Notes:	Dimensions D And L Include Sleeving
Shelf Life:	156 Weeks

Specifications

Capacitance:	2,200 uF
Capacitance Tolerance:	-10/+30%
Voltage DC:	40 VDC, 46 VDC (Surge)
Temperature Range:	-40/+85°C
Rated Temperature:	85°C
Life:	12000 Hrs
Leakage Current:	528 uA (5min 20°C)