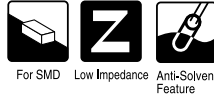


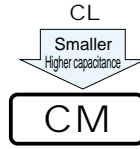
ALUMINUM ELECTROLYTIC CAPACITORS

CM series Chip Type, Low Impedance



NEW

- Chip type, low impedance temperature range up to +105°C.
- Applicable to automatic mounting machine fed with carrier tape.
- Compliant to the RoHS directive (2011/65/EU).

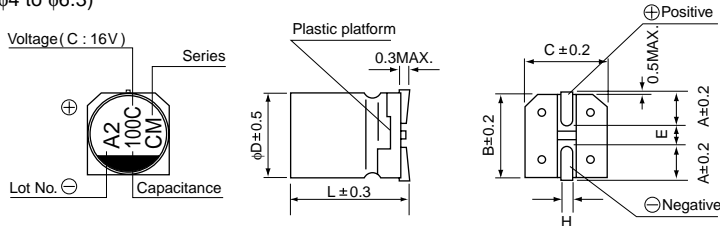


Specifications

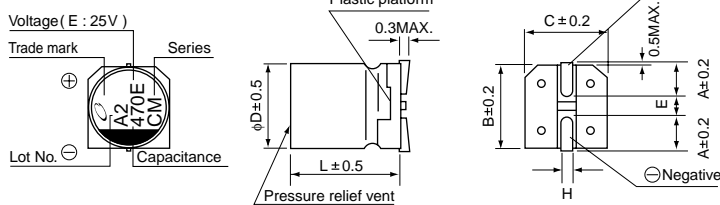
Item	Performance Characteristics																															
Category Temperature Range	-55 to +105°C																															
Rated Voltage Range	6.3 to 50V																															
Rated Capacitance Range	10 to 2200μF																															
Capacitance Tolerance	±20% at 120Hz, 20°C																															
Leakage Current	After 2 minutes' application of rated voltage, leakage current is not more than 0.01 CV																															
Tangent of loss angle (tan δ)	<table border="1"> <tr> <td>Rated voltage (V)</td> <td>6.3</td> <td>10</td> <td>16</td> <td>25</td> <td>35</td> <td>50</td> </tr> <tr> <td>tan δ (MAX.)</td> <td>0.26</td> <td>0.19</td> <td>0.16</td> <td>0.14</td> <td>0.12</td> <td>0.10</td> </tr> </table>	Rated voltage (V)	6.3	10	16	25	35	50	tan δ (MAX.)	0.26	0.19	0.16	0.14	0.12	0.10	Measurement frequency : 120Hz at 20°C																
Rated voltage (V)	6.3	10	16	25	35	50																										
tan δ (MAX.)	0.26	0.19	0.16	0.14	0.12	0.10																										
Stability at Low Temperature	<table border="1"> <tr> <td colspan="2">Rated voltage (V)</td> <td>6.3</td> <td>10</td> <td>16</td> <td>25</td> <td>35</td> <td>50</td> </tr> <tr> <td rowspan="3">Impedance ratio ZT / Z20 (MAX.)</td> <td>Z-25°C / Z+20°C</td> <td>2</td> <td>2</td> <td>2</td> <td>2</td> <td>2</td> <td>2</td> </tr> <tr> <td>Z-40°C / Z+20°C</td> <td>3</td> <td>3</td> <td>3</td> <td>3</td> <td>3</td> <td>3</td> </tr> <tr> <td>Z-55°C / Z+20°C</td> <td>4</td> <td>4</td> <td>4</td> <td>3</td> <td>3</td> <td>3</td> </tr> </table>	Rated voltage (V)		6.3	10	16	25	35	50	Impedance ratio ZT / Z20 (MAX.)	Z-25°C / Z+20°C	2	2	2	2	2	2	Z-40°C / Z+20°C	3	3	3	3	3	3	Z-55°C / Z+20°C	4	4	4	3	3	3	Measurement frequency : 120Hz
Rated voltage (V)		6.3	10	16	25	35	50																									
Impedance ratio ZT / Z20 (MAX.)	Z-25°C / Z+20°C	2	2	2	2	2	2																									
	Z-40°C / Z+20°C	3	3	3	3	3	3																									
	Z-55°C / Z+20°C	4	4	4	3	3	3																									
Endurance	The specifications listed at right shall be met when the capacitors are restored to 20°C after the rated voltage is applied for 2000 hours at 105°C.	<table border="1"> <tr> <td>Capacitance change</td> <td>Within ±30% of the initial capacitance value</td> </tr> <tr> <td>tan δ</td> <td>200% or less than the initial specified value</td> </tr> <tr> <td>Leakage current</td> <td>Less than or equal to the initial specified value</td> </tr> </table>	Capacitance change	Within ±30% of the initial capacitance value	tan δ	200% or less than the initial specified value	Leakage current	Less than or equal to the initial specified value																								
Capacitance change	Within ±30% of the initial capacitance value																															
tan δ	200% or less than the initial specified value																															
Leakage current	Less than or equal to the initial specified value																															
Shelf Life	After storing the capacitors under no load at 105°C for 1000 hours and then performing voltage treatment based on JIS C 5101-4 clause 4.1 at 20°C, they shall meet the specified values for the endurance characteristics listed above.																															
Resistance to soldering heat	The capacitors are kept on a hot plate for 30 seconds, which is maintained at 250°C. The capacitors shall meet the characteristic requirements listed at right when they are removed from the plate and restored to 20°C.	<table border="1"> <tr> <td>Capacitance change</td> <td>Within ±10% of the initial capacitance value</td> </tr> <tr> <td>tan δ</td> <td>Less than or equal to the initial specified value</td> </tr> <tr> <td>Leakage current</td> <td>Less than or equal to the initial specified value</td> </tr> </table>	Capacitance change	Within ±10% of the initial capacitance value	tan δ	Less than or equal to the initial specified value	Leakage current	Less than or equal to the initial specified value																								
Capacitance change	Within ±10% of the initial capacitance value																															
tan δ	Less than or equal to the initial specified value																															
Leakage current	Less than or equal to the initial specified value																															
Marking	Black print on the case top.																															

Chip Type

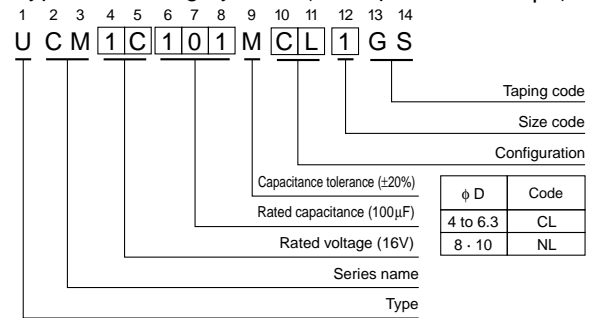
(φ4 to φ6.3)



(φ8 × 10L, φ10)



Type numbering system (Example : 16V 100μF)



	(mm)					
φD×L	4×5.8	5×5.8	6.3×5.8	6.3×7.7	8×10	10×10
A	1.8	2.1	2.4	2.4	2.9	3.2
B	4.3	5.3	6.6	6.6	8.3	10.3
C	4.3	5.3	6.6	6.6	8.3	10.3
E	1.0	1.3	2.2	2.2	3.1	4.5
L	5.8	5.8	5.8	7.7	10	10
H	0.5 to 0.8	0.5 to 0.8	0.5 to 0.8	0.5 to 0.8	0.8 to 1.1	0.8 to 1.1

Voltage

V	6.3	10	16	25	35	50
Code	j	A	C	E	V	H

● Dimension table in next page.

■Dimensions

Cap. (μF)	Code	V			6.3			10			16			25			35			50		
		0J			1A			1C			1E			1V			1H					
10	100																			4×5.8	2.30	85
																				5×5.8	0.88	165
22	220												4×5.8	1.00	160	4×5.8	1.00	160	5×5.8	0.88	165	
33	330												4×5.8	1.00	160	5×5.8	0.36	240				
47	470										4×5.8	1.00	160	5×5.8	0.36	240	5×5.8	0.36	240	6.3×5.8	0.68	195
68	680				4×5.8	1.00	160	5×5.8	0.36	240	5×5.8	0.36	240	6.3×5.8	0.26	300						
100	101	4×5.8	1.00	160				5×5.8	0.36	240	6.3×5.8	0.26	300	6.3×5.8	0.26	300	6.3×5.8	0.26	300	6.3×7.7	0.34	350
150	151				5×5.8	0.36	240	6.3×5.8	0.26	300	6.3×5.8	0.26	300	6.3×7.7	0.16	600	6.3×7.7	0.16	600			
220	221	5×5.8	0.36	240	6.3×5.8	0.26	300	6.3×5.8	0.26	300	6.3×7.7	0.16	600							8×10	0.18	670
330	331	6.3×5.8	0.26	300	6.3×7.7	0.16	600	6.3×7.7	0.16	600						8×10	0.08	850	10×10	0.12	900	
470	471	6.3×7.7	0.16	600	6.3×7.7	0.16	600						8×10	0.08	850							
560	561															10×10	0.06	1190				
680	681	6.3×7.7	0.16	600				8×10	0.08	850												
820	821												10×10	0.06	1190							
1000	102				8×10	0.08	850	10×10	0.06	1190												
1500	152	8×10	0.08	850	10×10	0.06	1190															
2200	222	10×10	0.06	1190																Case size φD×L (mm)	Impedance	Rated ripple

MAX. Impedance () at 20 100kHz, Rated ripple current(mArms) at 105 100kHz
 In this case, [6] will be put at 12th digit of type numbering system.

●Frequency coefficient of rated ripple current

Frequency	50 Hz	120 Hz	300 Hz	1 kHz	10 kHz or more
Coefficient	0.35	0.50	0.64	0.83	1.00

- Taping specifications are given in page 23.
- Recommended land size, soldering by reflow are given in page 18, 19.
- Please refer to page 3 for the minimum order quantity.