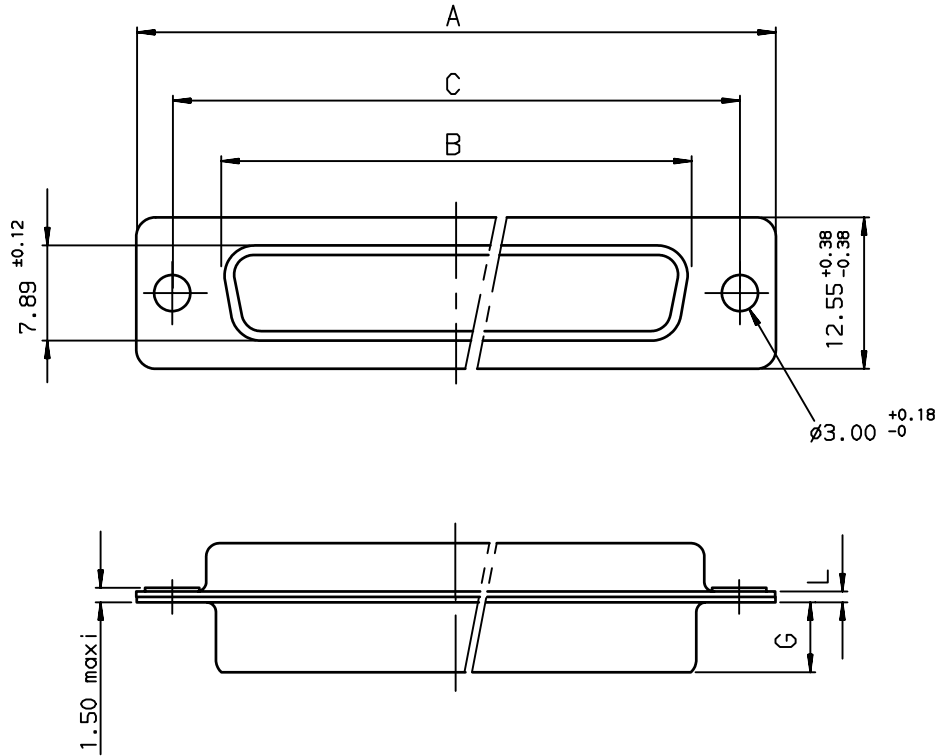


Dimensions are in millimeters



NOTE : RoHS INFORMATIONS

- The "LF" product meets European union Directives and other country regulations as described in 65-22-008.
- The product is not intended to be exposed to a manufacturing solder process.
- Plating: Sn pure bright over Copper.
- Packaging spec: see 65-14-920.

Shell size	Number of contacts	A ^{+0.76} / ₀	B ^{+0.25} / ₀	C ±0.12	F ^{+0.13} / _{-0.03}	G ^{+0.25} / ₀	L ^{+0.22} / ₀	Part number
E	09	30.43	16.21	24.99	10.64	6.05	0.80	86553148TLF
A	15	38.76	24.54	33.32	10.64	6.05	0.80	86553149TLF
B	25	52.65	38.25	47.04	10.64	6.05	0.80	86553150TLF
C	37	68.94	54.71	63.50	10.64	6.05	0.80	86553151TLF

European Views

www.fciconnect.com		surface ISO 1302 ✓	tolerance std ISO 406 ISO 1101	projection ⊕	mm
TOLERANCES UNLESS OTHERWISE SPECIFIED					
ANGULAR	LINEAR	0.X	±0.1	size A3	Scale 10
0.XX	±2°	0.XX	±0.1	ECN	LS09-0006
0.XXX		0.XXX	±0.1	Product family	D-SUB
Product family				D-SUB	Spec ref -
Dr	GOISNARD	2006/01/12			
Eng	PESSON	2006/01/12			
Chr	LEGARE	2006/01/12			
Appr	LEGARE	2006/01/12			
rev	ecn no	dr	date		
A	LS05-0123	LGO	2006/01/12		
B	LS06-0095	LGO	2006/06/24		
C	LS09-0006	PCR	2009/01/08		
-	-	-	-		
-	-	-	-		
-	-	-	-		
-	-	-	-		
FCj		title SOCKET METAL CAPS		dwg no	Rev.
		D SUB ACCESSORIES		C01-8655-1657	C
catalog no		-		CUSTOMER	sheet 1 of 1

REV F - 2006-04-17