



JCASE®
Cartridge Fuses

JCASE® Cartridge Fuses Rated 32V

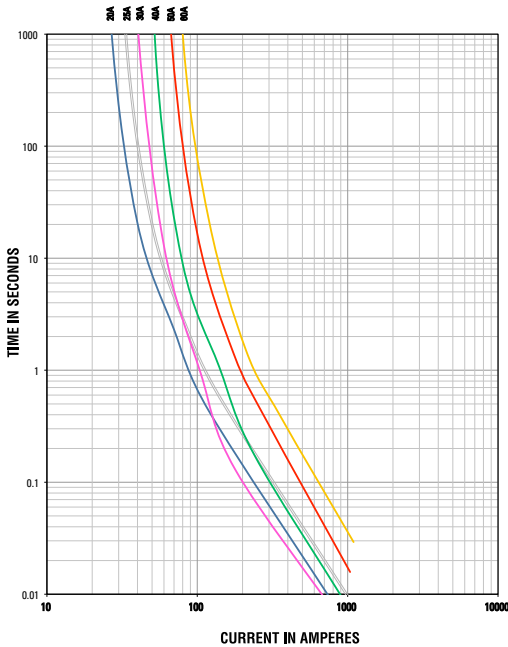
The JCASE® is a cartridge style fuse with female terminal design. JCASE® provides both increased time delay and low voltage drop to protect high current circuits. JCASE® has the ability to handle inrush currents.

Specifications

Voltage Rating:	32 VDC
Interrupting Rating:	1000A @ 32 VDC
Operating Temperature Range:	-40°C to + 125°C
Housing Material:	PA66-GF13 (U.L. 94 Flammability rating – HB)
Housing Material (60A):	PA66-GF13HS (U.L. 94 Flammability rating – HB)
Cover Material:	PC (U.L. 94 Flammability rating – HB)
New Weight Per Fuse:	3.8g ±10%
Insertion Force:	53N max. (12 lb.)
Extraction Force:	9N min. (2 lb.)
Complies with:	SAE 2741, ISO 8820-4



Time-Current Characteristic Curves



Ordering Information

Part Number	Package Size
0495xxx.ZXA	2200
0495xxx.UXA	500
0495xxx.TXA	10

Time-Current Characteristics

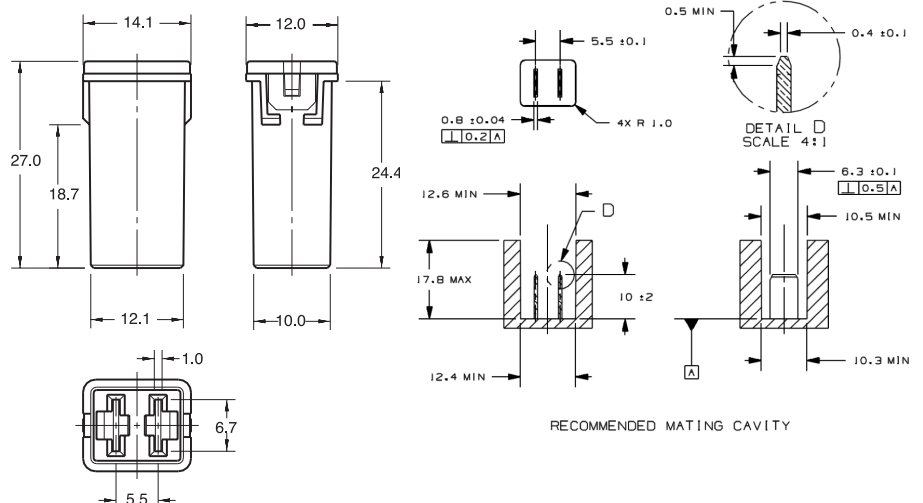
% of Rating	Opening Time Min / Max (s)
110	360,000 s / –
135	60 s / 1800 s
200	4 s / 60 s
350	0.200 s / 7 s
600	0.040 s / 1 s

Ratings

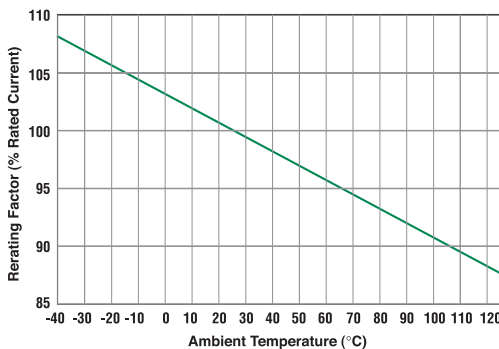
Part Number	Current Rating (A)	Housing Material Color	Typ. Voltage Drop (mV)	Cold Resistance (mΩ)	I²t (A²s)
0495020_	20	Blue	106	4.29	1750
0495025_	25	White	101	3.28	3220
0495030_	30	Pink	91	2.12	1480
0495040_	40	Green	87	1.30	3650
0495050_	50	Red	88	0.99	8750
0495060_	60	Yellow	87	0.76	19500

Dimensions

Dimensions in mm



Temperature Derating Curve



REV 01302020

Littelfuse products are not designed for, and shall not be used for, any purpose (including, without limitation, automotive, military, aerospace, medical, life-saving, life-sustaining or nuclear facility applications, devices intended for surgical implant into the body, or any other application in which the failure or lack of desired operation of the product may result in personal injury, death, or property damage) other than those expressly set forth in applicable Littelfuse product documentation. Warranties granted by Littelfuse shall be deemed void for products used for any purpose not expressly set forth in applicable Littelfuse documentation. Littelfuse shall not be liable for any claims or damages arising out of products used in applications not expressly intended by Littelfuse as set forth in applicable Littelfuse documentation. The sale and use of Littelfuse products is subject to Littelfuse Terms and Conditions of Sale, unless otherwise agreed by Littelfuse.

Mouser Electronics

Authorized Distributor

Click to View Pricing, Inventory, Delivery & Lifecycle Information:

Littelfuse:

[0495020.Z](#) [0495025.Z](#) [0495060.Z](#) [0495030.Z](#) [495030.Z](#) [495050.Z](#) [495060.Z](#) [495040.Z](#) [495025.Z](#) [495020.Z](#)
[0495050.Z](#) [0495040.Z](#) [495025](#) [0495020.T](#) [0495060.T](#) [0495030.T](#) [0495025.T](#) [0495030.U](#) [0495060.U](#) [0495040.U](#)
[0495040.T](#) [0495050.U](#) [0495020.U](#) [0495050.T](#) [0495900.UXA](#) [0495020.TXA](#) [0495020.UXA](#) [0495020.ZXA](#)
[0495025.TXA](#) [0495025.UXA](#) [0495025.ZXA](#) [0495030.TXA](#) [0495030.UXA](#) [0495030.ZXA](#) [0495040.TXA](#) [0495040.UXA](#)
[0495040.ZXA](#) [0495050.TXA](#) [0495050.UXA](#) [0495050.ZXA](#) [0495060.TXA](#) [0495060.UXA](#) [0495060.ZXA](#)
[0495900.ZXA](#)