

PGA204
PGA205

Programmable Gain INSTRUMENTATION AMPLIFIER

FEATURES

- **DIGITALLY PROGRAMMABLE GAIN:**
 PGA204: $G=1, 10, 100, 1000V/V$
 PGA205: $G=1, 2, 4, 8V/V$
- **LOW OFFSET VOLTAGE:** $50\mu V$ max
- **LOW OFFSET VOLTAGE DRIFT:** $0.25\mu V/^\circ C$
- **LOW INPUT BIAS CURRENT:** $2nA$ max
- **LOW QUIESCENT CURRENT:** $5.2mA$ typ
- **NO LOGIC SUPPLY REQUIRED**
- **16-PIN PLASTIC DIP, SOL-16 PACKAGES**

APPLICATIONS

- **DATA ACQUISITION SYSTEM**
- **GENERAL PURPOSE ANALOG BOARDS**
- **MEDICAL INSTRUMENTATION**

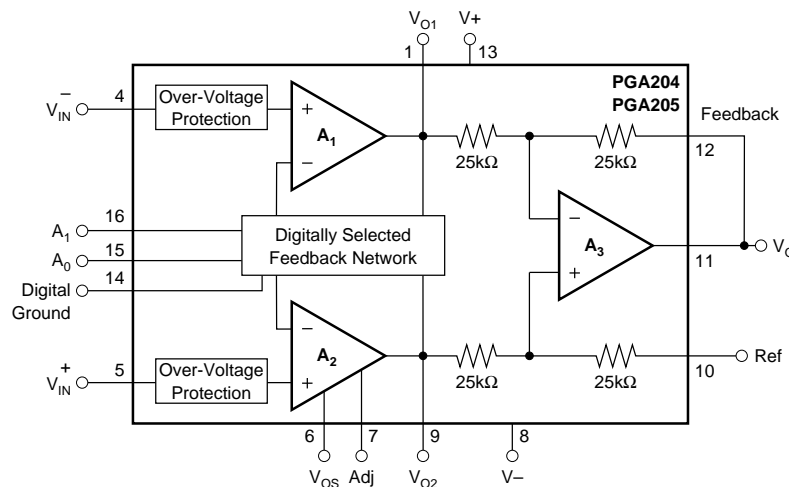
DESCRIPTION

The PGA204 and PGA205 are low cost, general purpose programmable-gain instrumentation amplifiers offering excellent accuracy. Gains are digitally selected: PGA204—1, 10, 100, 1000, and PGA205—1, 2, 4, 8V/V. The precision and versatility, and low cost of the PGA204 and PGA205 make them ideal for a wide range of applications.

Gain is selected by two TTL or CMOS-compatible address lines, A_0 and A_1 . Internal input protection can withstand up to $\pm 40V$ on the analog inputs without damage.

The PGA204 and PGA205 are laser trimmed for very low offset voltage ($50\mu V$), drift ($0.25\mu V/^\circ C$) and high common-mode rejection (115dB at $G=1000$). They operate with power supplies as low as $\pm 4.5V$, allowing use in battery operated systems. Quiescent current is 5mA.

The PGA204 and PGA205 are available in 16-pin plastic DIP, and SOL-16 surface-mount packages, specified for the $-40^\circ C$ to $+85^\circ C$ temperature range.



International Airport Industrial Park • Mailing Address: PO Box 11400 • Tucson, AZ 85734 • Street Address: 6730 S. Tucson Blvd. • Tucson, AZ 85706
 Tel: (520) 746-1111 • Twx: 910-952-1111 • Cable: BBRCORP • Telex: 066-6491 • FAX: (520) 889-1510 • Immediate Product Info: (800) 548-6132

SPECIFICATIONS

ELECTRICAL

PGA204 G=1, 10, 100, 1000V/V

At $T_A = +25^\circ\text{C}$, $V_S = \pm 15\text{V}$, and $R_L = 2\text{k}\Omega$ unless otherwise noted.

| PARAMETER | CONDITIONS | PGA204BP, BU | | | PGA204AP, AU | | | UNITS |
|---|---|--------------------------------|--|--|--------------|---|---|--|
| | | MIN | TYP | MAX | MIN | TYP | MAX | |
| INPUT | | | | | | | | |
| Offset Voltage, RTI vs Temperature vs Power Supply Long-Term Stability Impedance, Differential Common-Mode Input Common-Mode Range Safe Input Voltage Common-Mode Rejection | $T_A = +25^\circ\text{C}$ $T_A = T_{\text{MIN}}$ to T_{MAX} $V_S = \pm 4.5\text{V}$ to $\pm 18\text{V}$ $V_O = 0\text{V}$ (see text) $V_{\text{CM}} = \pm 10\text{V}$, $\Delta R_S = 1\text{k}\Omega$ G=1 G=10 G=100 G=1000 | | $\pm 10 \pm 20/G$ $\pm 0.1 + 0.5/G$ 0.5+2/G $\pm 0.2 + 0.5/G$ $10^{10} 6$ $10^{10} 6$ ± 12.7 | $\pm 50 + 100/G$ $\pm 0.25 + 5/G$ 3+10/G ± 40 | | $\pm 25 + 30/G$ $\pm 0.25 + 5/G$ * * * * * * * * * * * * * * | $\pm 125 + 500/G$ $\pm 1 + 10/G$ * * * * * * * * * * * * * * | μV $\mu\text{V}/^\circ\text{C}$ $\mu\text{V}/\text{V}$ $\mu\text{V}/\text{mo}$ ΩpF ΩpF V V dB dB dB dB |
| BIAS CURRENT vs Temperature Offset Current vs Temperature | | | ± 0.5 ± 8 ± 0.5 ± 8 | ± 2 | | * * * * | ± 5 | nA $\text{pA}/^\circ\text{C}$ nA $\text{pA}/^\circ\text{C}$ |
| NOISE , Voltage, RTI ⁽¹⁾ : f=10Hz f=100Hz f=1kHz f _B =0.1Hz to 10Hz Noise Current f=10Hz f=1kHz f _B =0.1Hz to 10Hz | G≥100, R _S =0Ω G≥100, R _S =0Ω G≥100, R _S =0Ω G≥100, R _S =0Ω | | 16 13 13 0.4 | | | * * * * | | $\text{nV}/\sqrt{\text{Hz}}$ $\text{nV}/\sqrt{\text{Hz}}$ $\text{nV}/\sqrt{\text{Hz}}$ $\mu\text{Vp-p}$ $\text{pA}/\sqrt{\text{Hz}}$ $\text{pA}/\sqrt{\text{Hz}}$ pAp-p |
| GAIN , Error Gain vs Temperature Nonlinearity | G=1 G=10 G=100 G=1000 G=1 to 1000 G=1 G=10 G=100 G=1000 | | ± 0.005 ± 0.01 ± 0.01 ± 0.02 ± 2.5 ± 0.0004 ± 0.0004 ± 0.0004 ± 0.0008 | ± 0.024 ± 0.024 ± 0.024 ± 0.05 ± 10 ± 0.001 ± 0.002 ± 0.002 ± 0.01 | | * * * * * * * * * * | ± 0.05 ± 0.05 ± 0.05 ± 0.1 * ± 0.002 ± 0.004 ± 0.004 ± 0.02 | % % % % ppm/°C % of FSR % of FSR % of FSR % of FSR |
| OUTPUT Voltage, Positive ⁽²⁾ Negative ⁽²⁾ Load Capacitance Stability Short Circuit Current | I _O =5mA, T _{MIN} to T _{MAX} I _O =-5mA, T _{MIN} to T _{MAX} | (V+)-1.5 (V-)+1.5 | (V+)-1.3 (V-)+1.3 1000 +23/-17 | | * * | * * * * | | V V pF mA |
| FREQUENCY RESPONSE Bandwidth, -3dB Slew Rate Settling Time ⁽³⁾ , 0.1% 0.01% Overload Recovery | G=1 G=10 G=100 G=1000 $V_O = \pm 10\text{V}$, G=10 G=1 G=10 G=100 G=1000 G=1 G=10 G=100 G=1000 50% Overdrive | | 1 80 10 1 0.7 22 23 100 1000 23 28 140 1300 70 | | | * * * * * * * * * * * * * * | | MHz kHz kHz kHz V/μs μs μs μs μs μs μs μs μs μs μs |
| DIGITAL LOGIC Digital Ground Voltage, V _{DG} Digital Low Voltage Digital Input Current Digital High Voltage | | V- V- V _{DG} +2 | 1 | (V+)-4 V _{DG} +0.8V V+ | * * * | * * * | | V V μA V |
| POWER SUPPLY , Voltage Current | V _{IN} =0V | ± 4.5 | ± 15 +5.2/-4.2 | ± 18 ± 6.5 | * * | * * | * 7.5 | V mA |
| TEMPERATURE RANGE Specification Operating θ _{JA} | | -40 -40 | 80 | +85 +125 | * * | * * | * * | °C °C °C/W |

* Specification same as PGA204BP.

NOTES: (1) Input-referred noise voltage varies with gain. See typical curves. (2) Output voltage swing is tested for ±10V min on ±11.4V power supplies. (3) Includes time to switch to a new gain.



SPECIFICATIONS

ELECTRICAL

PGA205 G=1, 2, 4, 8V/V

At $T_A = +25^\circ\text{C}$, $V_S = \pm 15\text{V}$, and $R_L = 2\text{k}\Omega$ unless otherwise noted.

| PARAMETER | CONDITIONS | PGA205BP, BU | | | PGA205AP, AU | | | UNITS |
|---|---|--------------------------------|--|--|--------------|---|---|--|
| | | MIN | TYP | MAX | MIN | TYP | MAX | |
| INPUT Offset Voltage, RTI vs Temperature vs Power Supply Long-Term Stability Impedance, Differential Common-Mode Input Common-Mode Range Safe Input Voltage Common-Mode Rejection | $T_A = +25^\circ\text{C}$ $T_A = T_{\text{MIN}}$ to T_{MAX} $V_S = \pm 4.5\text{V}$ to $\pm 18\text{V}$ $V_O = 0\text{V}$ (see text) $V_{\text{CM}} = \pm 10\text{V}$, $\Delta R_S = 1\text{k}\Omega$ G=1 G=2 G=4 G=8 | | $\pm 10 + 20/G$ $\pm 0.1 + 0.5/G$ $0.5 + 2/G$ $\pm 0.2 + 0.5/G$ $10^{10} \parallel 6$ $10^{10} \parallel 6$ ± 12.7 | $\pm 50 + 100/G$ $\pm 0.25 + 5/G$ $3 + 10/G$ | | $\pm 25 + 30/G$ $\pm 0.25 + 5/G$ * * * * * * * | $\pm 125 + 500/G$ $\pm 1 + 10/G$ * * * * * * | μV $\mu\text{V}/^\circ\text{C}$ $\mu\text{V}/\text{V}$ $\mu\text{V}/\text{mo}$ $\Omega \parallel \text{pF}$ $\Omega \parallel \text{pF}$ V V dB dB dB dB |
| BIAS CURRENT vs Temperature Offset Current vs Temperature | | | ± 0.5 ± 8 ± 0.5 ± 8 | ± 2 ± 2 | | * * * * | ± 5 * | nA $\text{pA}/^\circ\text{C}$ nA $\text{pA}/^\circ\text{C}$ |
| Noise Voltage, RTI ⁽¹⁾ : f=10Hz f=100Hz f=1kHz f _B =0.1Hz to 10Hz Noise Current f=10Hz f=1kHz f _B =0.1Hz to 10Hz | G=8, R _S =0Ω G=8, R _S =0Ω G=8, R _S =0Ω G=8, R _S =0Ω | | 19 15 15 0.5 | | | * * * * | | nV/ $\sqrt{\text{Hz}}$ nV/ $\sqrt{\text{Hz}}$ nV/ $\sqrt{\text{Hz}}$ $\mu\text{Vp-p}$ $\text{pA}/\sqrt{\text{Hz}}$ $\text{pA}/\sqrt{\text{Hz}}$ pAp-p |
| GAIN, Error Gain vs Temperature Nonlinearity | G=1 G=2 G=4 G=8 G=1 to 8 G=1 G=2 G=4 G=8 | | ± 0.005 ± 0.01 ± 0.01 ± 0.01 ± 0.01 ± 2.5 ± 0.00024 ± 0.00024 ± 0.00024 ± 0.00024 | ± 0.024 ± 0.024 ± 0.024 ± 0.024 ± 10 ± 0.001 ± 0.002 ± 0.002 ± 0.002 | | * * * * * * * * * * | ± 0.05 ± 0.05 ± 0.05 ± 0.05 * ± 0.002 ± 0.004 ± 0.004 ± 0.004 | % % % % ppm/ $^\circ\text{C}$ % of FSR % of FSR % of FSR % of FSR |
| OUTPUT Voltage, Positive ⁽²⁾ Negative ⁽²⁾ Load Capacitance Stability Short Circuit Current | $I_O = 5\text{mA}$, T_{MIN} to T_{MAX} $I_O = -5\text{mA}$, T_{MIN} to T_{MAX} | (V+)-1.5 (V-)+1.5 | (V+)-1.3 (V-)+1.3 1000 +23/-17 | | * | * * * * | | V V pF mA |
| FREQUENCY RESPONSE Bandwidth, -3dB Slew Rate Settling Time ⁽³⁾ , 0.1% 0.01% Overload Recovery | G=1 G=2 G=4 G=8 $V_O = \pm 10\text{V}$, G=8 G=1 G=2 G=4 G=8 G=1 G=2 G=4 G=8 50% overdrive | | 1 400 200 100 0.3 0.7 22 22 23 23 23 23 25 28 70 | | | * * * * * * * * * * * * * * * | | MHz kHz kHz kHz V/ μs μs μs μs μs μs μs μs μs μs |
| DIGITAL LOGIC INPUTS Digital Ground Voltage, V _{DG} Digital Low Voltage Digital Low Current Digital High Voltage | | V- V- V _{DG} +2 | 1 | (V+)-4 V _{DG} +0.8V V+ | * | * * * | * * * | V V μA V |
| POWER SUPPLY, Voltage Current | V _{IN} =0V | ± 4.5 | ± 15 $+5.2/-4.2$ | ± 18 ± 6.5 | * | * * | * ± 7.5 | V mA |
| TEMPERATURE RANGE Specification Operating θ_{JA} | | -40 -40 | 80 | +85 +125 | * | * | * * | $^\circ\text{C}$ $^\circ\text{C}$ $^\circ\text{C}/\text{W}$ |

* Specification same as PGA204BP.

NOTES: (1) Input-referred noise voltage varies with gain. See typical curves. (2) Output voltage swing is tested for $\pm 10\text{V}$ min on $\pm 11.4\text{V}$ power supplies. (3) Includes time to switch to a new gain.

PACKAGE INFORMATION

| MODEL | PACKAGE | PACKAGE DRAWING NUMBER ⁽¹⁾ |
|----------|----------------------|---------------------------------------|
| PGA204AP | 16-Pin Plastic DIP | 180 |
| PGA204BP | 16-Pin Plastic DIP | 180 |
| PGA204AU | SOL-16 Surface Mount | 211 |
| PGA204BU | SOL-16 Surface Mount | 211 |
| PGA205AP | 16-Pin Plastic DIP | 180 |
| PGA205BP | 16-Pin Plastic DIP | 180 |
| PGA205AU | SOL-16 Surface Mount | 211 |
| PGA205BU | SOL-16 Surface Mount | 211 |

NOTE: (1) For detailed drawing and dimension table, please see end of data sheet, or Appendix D of Burr-Brown IC Data Book.

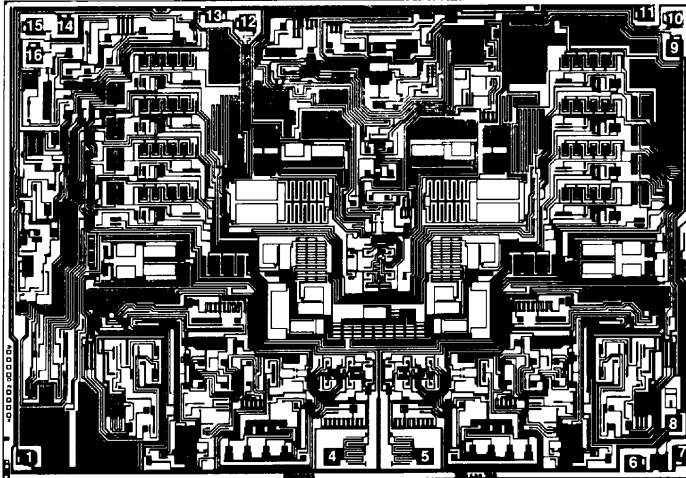
ABSOLUTE MAXIMUM RATINGS

| | |
|---|-----------------|
| Supply Voltage | ±18V |
| Analog Input Voltage Range | ±40V |
| Logic Input Voltage Range | ±V _S |
| Output Short-Circuit (to ground) | Continuous |
| Operating Temperature | -40°C to +125°C |
| Storage Temperature | -40°C to +125°C |
| Junction Temperature | +150°C |
| Lead Temperature (soldering -10s) | +300°C |

ORDERING INFORMATION

| MODEL | GAINS | PACKAGE | TEMPERATURE RANGE |
|----------|---------------------|----------------------|-------------------|
| PGA204AP | 1, 10, 100, 1000V/V | 16-Pin Plastic DIP | -40 to +85°C |
| PGA204BP | 1, 10, 100, 1000V/V | 16-Pin Plastic DIP | -40 to +85°C |
| PGA204AU | 1, 10, 100, 1000V/V | SOL-16 Surface-Mount | -40 to +85°C |
| PGA204BU | 1, 10, 100, 1000V/V | SOL-16 Surface-Mount | -40 to +85°C |
| PGA205AP | 1, 2, 4, 8V/V | 16-Pin Plastic DIP | -40 to +85°C |
| PGA205BP | 1, 2, 4, 8V/V | 16-Pin Plastic DIP | -40 to +85°C |
| PGA205AU | 1, 2, 4, 8V/V | SOL-16 Surface-Mount | -40 to +85°C |
| PGA205BU | 1, 2, 4, 8V/V | SOL-16 Surface-Mount | -40 to +85°C |

DICE INFORMATION



PGA204/205 DIE TOPOGRAPHY

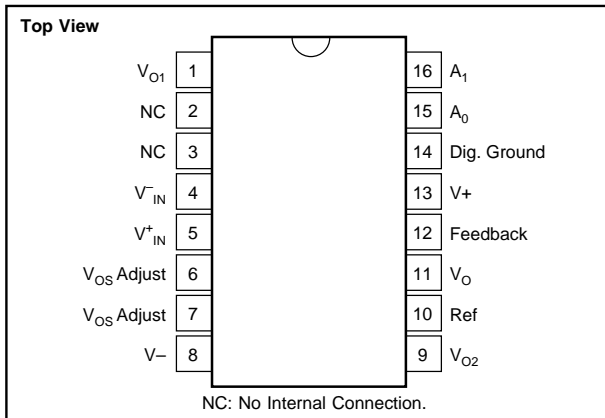
| PAD | FUNCTION | PAD | FUNCTION |
|-----|--------------|-----|-------------|
| 1 | V_{O1} | 9 | V_{O2} |
| 2 | — | 10 | Ref |
| 3 | — | 11 | V_O |
| 4 | V_{IN}^- | 12 | Feedback |
| 5 | V_{IN}^+ | 13 | V_+ |
| 6 | V_{OS} Adj | 14 | Dig. Ground |
| 7 | V_{OS} Adj | 15 | A_0 |
| 8 | V_- | 16 | A_1 |

Substrate Bias: Internally connected to V_- power supply.

MECHANICAL INFORMATION

| | MILS (0.001") | MILLIMETERS |
|---------------|---------------|-------------------|
| Die Size | 186 x 130 ±5 | 4.72 x 3.30 ±0.13 |
| Die Thickness | 20 ±3 | 0.51 ±0.08 |
| Min. Pad Size | 4 x 4 | 0.1 x 0.1 |
| Backing | | Gold |

PIN CONFIGURATION



ELECTROSTATIC DISCHARGE SENSITIVITY

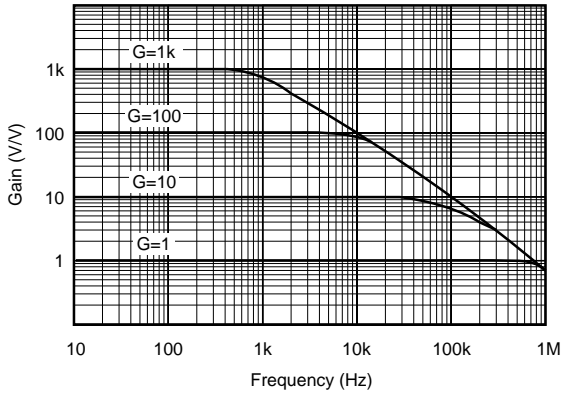
This integrated circuit can be damaged by ESD. Burr-Brown recommends that all integrated circuits be handled with appropriate precautions. Failure to observe proper handling and installation procedures can cause damage.

ESD damage can range from subtle performance degradation to complete device failure. Precision integrated circuits may be more susceptible to damage because very small parametric changes could cause the device not to meet its published specifications.

TYPICAL PERFORMANCE CURVES

At $T_A = +25^\circ\text{C}$, and $V_S = \pm 15\text{V}$, unless otherwise noted.

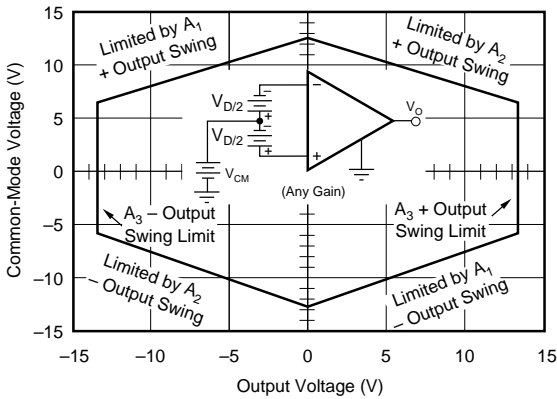
GAIN vs FREQUENCY



COMMON-MODE REJECTION vs FREQUENCY



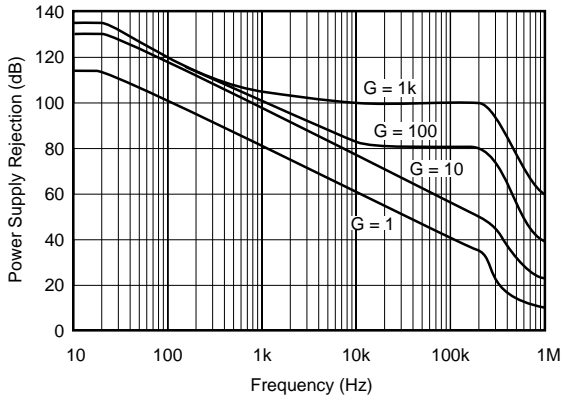
INPUT COMMON-MODE VOLTAGE RANGE vs OUTPUT VOLTAGE



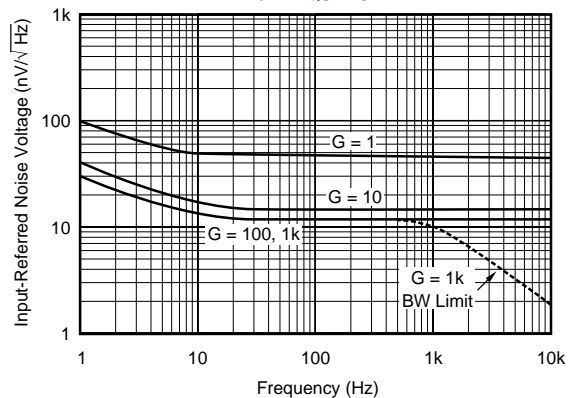
POSITIVE POWER SUPPLY REJECTION vs FREQUENCY



NEGATIVE POWER SUPPLY REJECTION vs FREQUENCY

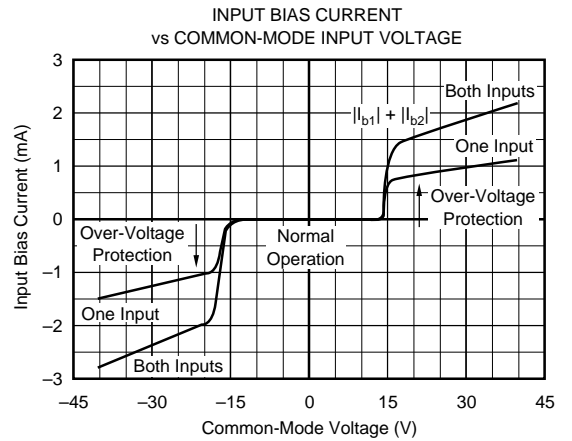
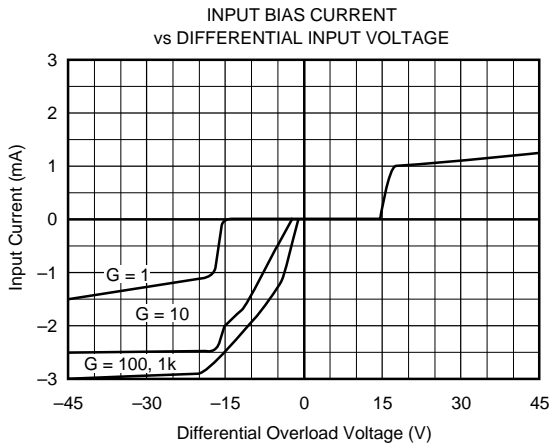
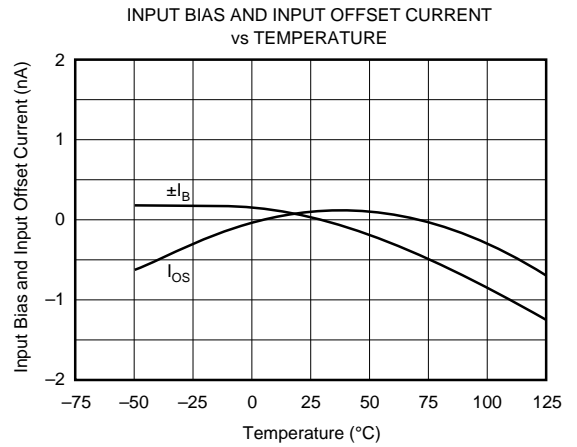


INPUT-REFERRED NOISE VOLTAGE vs FREQUENCY



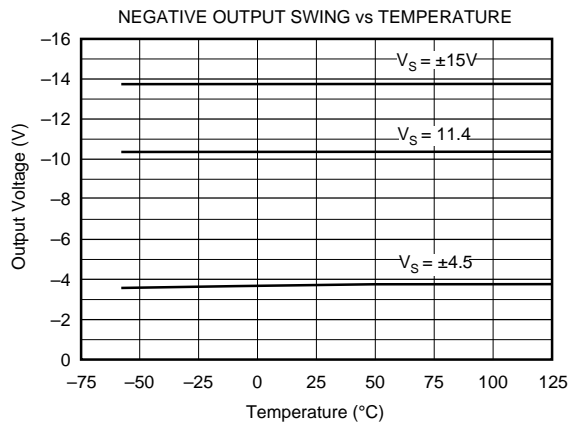
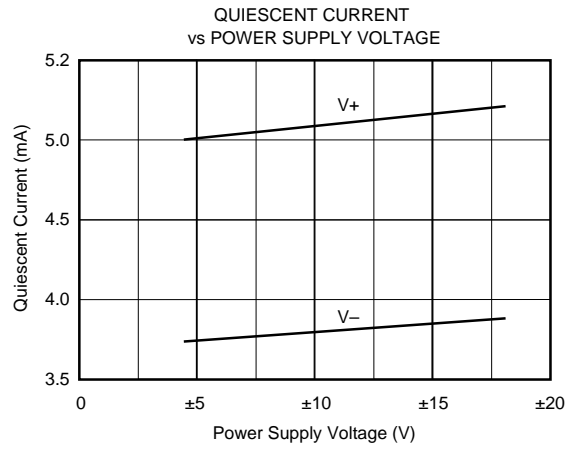
TYPICAL PERFORMANCE CURVES (CONT)

At $T_A = +25^\circ\text{C}$, and $V_S = \pm 15\text{V}$, unless otherwise noted.



TYPICAL PERFORMANCE CURVES (CONT)

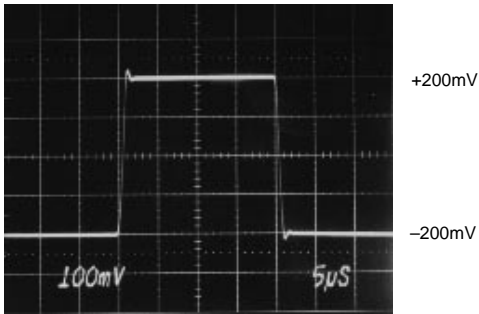
At $T_A = +25^\circ\text{C}$, and $V_S = \pm 15\text{V}$, unless otherwise noted.



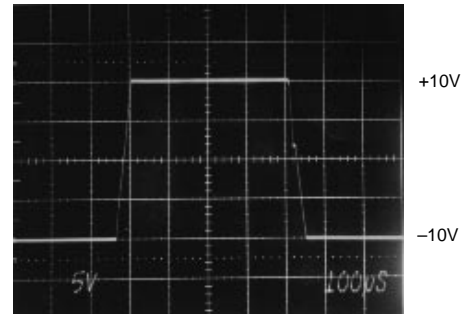
TYPICAL PERFORMANCE CURVES (CONT)

At $T_A = +25^\circ\text{C}$, and $V_S = \pm 15\text{V}$, unless otherwise noted.

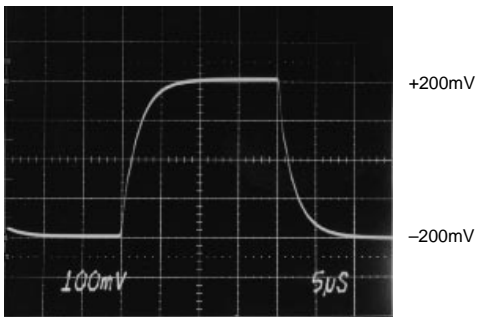
SMALL-SIGNAL RESPONSE, $G = 1$



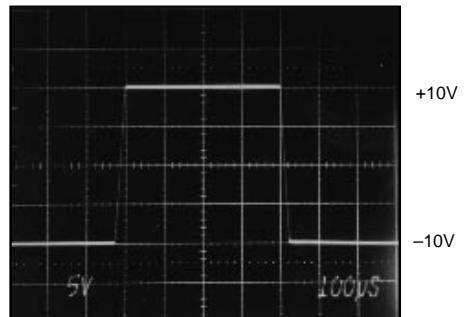
LARGE-SIGNAL RESPONSE, $G = 1$



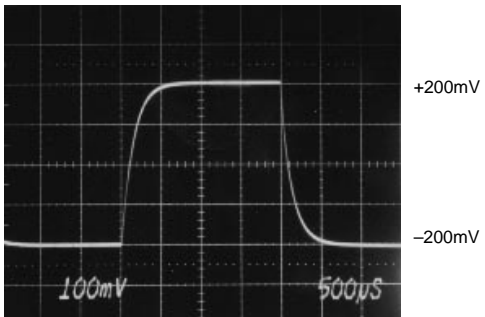
SMALL-SIGNAL RESPONSE, $G = 10$



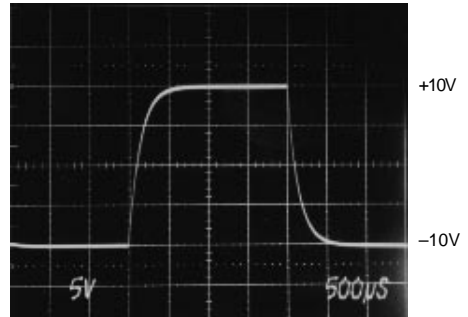
LARGE-SIGNAL RESPONSE, $G = 10$



SMALL-SIGNAL RESPONSE, $G = 1000$

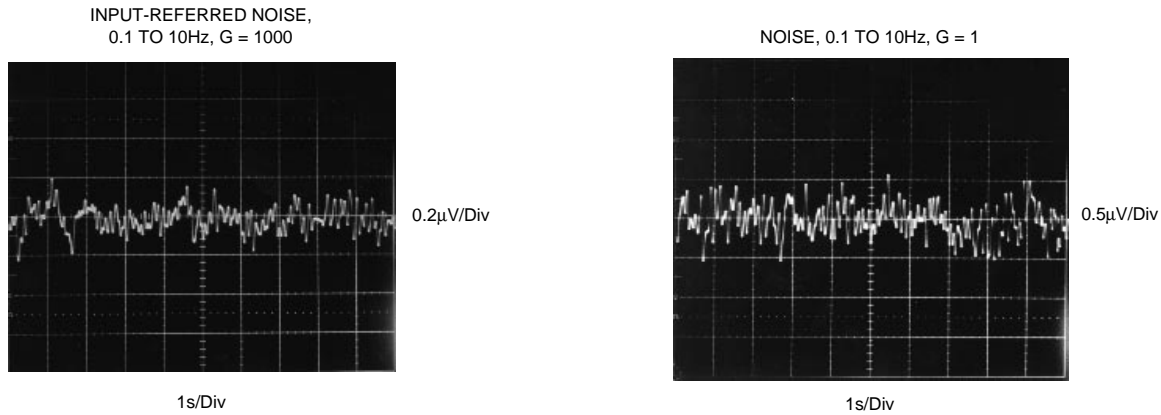


LARGE-SIGNAL RESPONSE, $G = 1000$



TYPICAL PERFORMANCE CURVES (CONT)

At $T_A = +25^\circ\text{C}$, and $V_S = \pm 15\text{V}$, unless otherwise noted.



APPLICATION INFORMATION

Figure 1 shows the basic connections required for operation of the PGA204/205. Applications with noisy or high impedance power supplies may require decoupling capacitors close to the device pins as shown.

The output is referred to the output reference (Ref) terminal which is normally grounded. This must be a low-impedance connection to assure good common-mode rejection. A resistance of 5Ω in series with the Ref pin will cause a typical device to degrade to approximately 80dB CMR ($G=1$).

The PGA204/205 has an output feedback connection (pin 12). Pin 12 must be connected to the output terminal (pin 11) for proper operation. The output Feedback connection can

be used to sense the output voltage directly at the load for best accuracy.

DIGITAL INPUTS

The digital inputs A_0 and A_1 select the gain according to the logic table in Figure 1. Logic "1" is defined as a voltage greater than 2V above digital ground potential (pin 14). Digital ground can be connected to any potential from the V^- power supply to 4V less than V^+ . Digital ground is normally connected to ground. The digital inputs interface directly CMOS and TTL logic components.

Approximately $1\mu\text{A}$ flows out of the digital input pins when a logic "0" is applied. Logic input current is nearly zero with a logic "1" input. A constant current of approximately

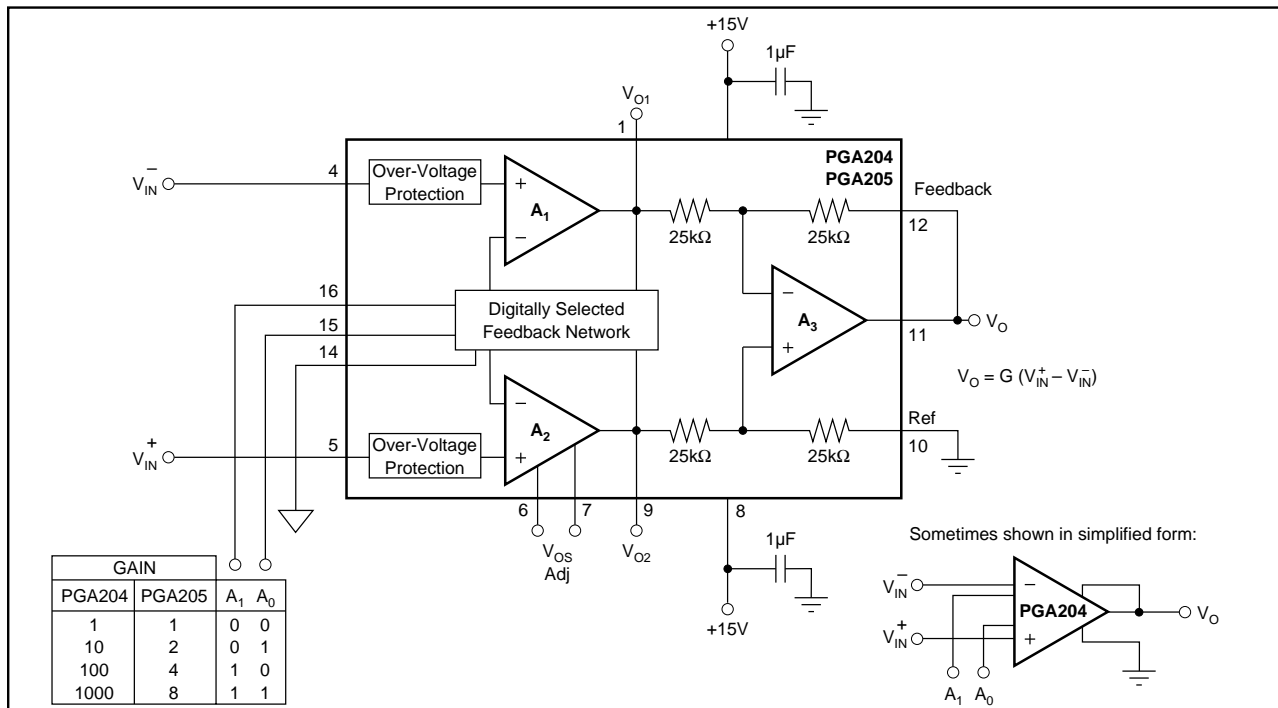


FIGURE 1. Basic Connections.

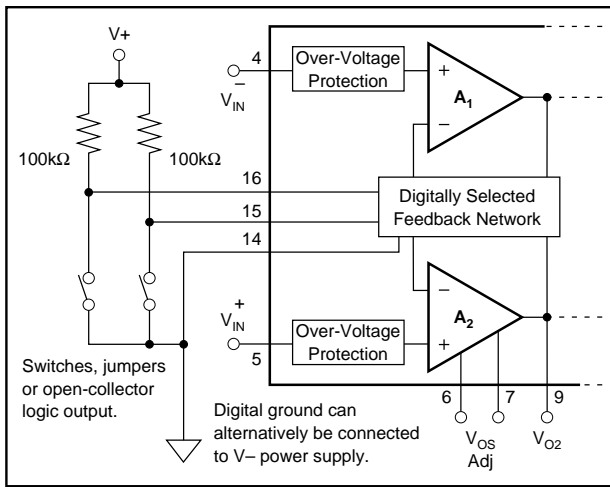


FIGURE 2. Switch or Jumper-Selected Digital Inputs.

1.3mA flows in the digital ground pin. It is good practice to return digital ground through a separate connection path so that analog ground is not affected by the digital ground current.

The digital inputs, A_0 and A_1 , are not latched; a change in logic inputs immediately selects a new gain. Switching time of the logic is approximately 1 μ s. The time to respond to gain change is effectively the time it takes the amplifier to settle to a new output voltage in the newly selected gain (see settling time specifications).

Many applications use an external logic latch to access gain control data from a high speed data bus (see Figure 7). Using an external latch isolates the high speed digital bus from sensitive analog circuitry. Locate the latch circuitry as far as practical from analog circuitry.

Some applications select gain of the PGA204/205 with switches or jumpers. Figure 2 shows pull-up resistors connected to assure a noise-free logic “1” when the switch, jumper or open-collector logic is open or off. Fixed-gain applications can connect the logic inputs directly to V_+ or V_- (or other valid logic level); no resistor is required.

OFFSET VOLTAGE

Voltage offset of the PGA204/205 consists of two components—input stage offset and output stage offset. Both components are specified in the specification table in equation form:

$$V_{OS} = V_{OSI} + V_{OSO} / G \quad (1)$$

where:

V_{OS} total is the combined offset, referred to the input.

V_{OSI} is the offset voltage of the input stage, A_1 and A_2 .

V_{OSO} is the offset voltage of the output difference amplifier, A_3 .

V_{OSI} and V_{OSO} do not change with gain. The composite offset voltage V_{OS} changes with gain because of the gain term in equation 1. Input stage offset dominates in high gain ($G \geq 100$); both sources of offset may contribute at low gain ($G = 1$ to 10).

OFFSET TRIMMING

Both the input and output stages are laser trimmed for very low offset voltage and drift. Many applications require no external offset adjustment.

Figure 3 shows an optional input offset voltage trim circuit. This circuit should be used to adjust only the input stage offset voltage of the PGA204/205. Do this by programming

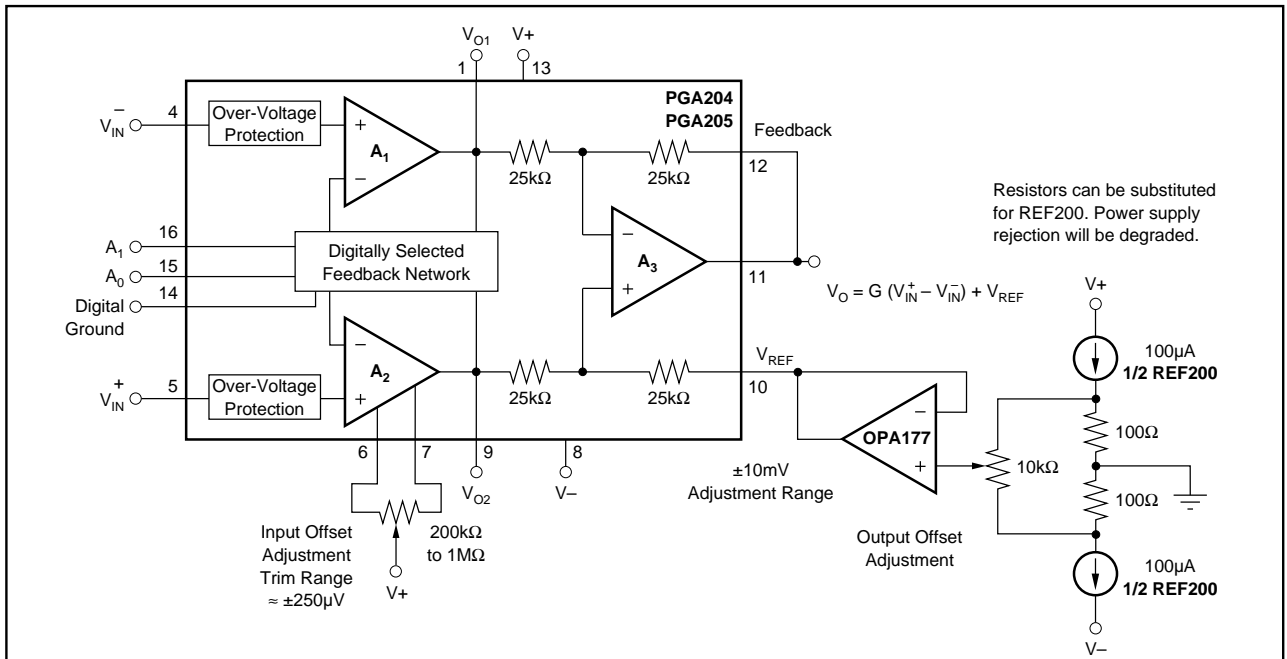


FIGURE 3. Optional Offset Voltage Trim Circuit.

it to its highest gain and trimming the output voltage to zero with the inputs grounded. Drift performance usually improves slightly when the input offset is nulled with this procedure.

Do not use the input offset adjustment to trim system offset or offset produced by a sensor. Nulling offset that is not produced by the input amplifiers will increase temperature drift by approximately $3.3\mu\text{V}/^\circ\text{C}$ per 1mV of offset adjustment.

Many applications that need input stage offset adjustment do not need output stage offset adjustment. Figure 3 also shows a circuit for adjusting output offset voltage. First, adjust the input offset voltage as discussed above. Then program the device for $G=1$ and adjust the output to zero. Because of the interaction of these two adjustments at $G=8$, the PGA205 may require iterative adjustment.

The output offset adjustment can be used to trim sensor or system offsets without affecting drift. The voltage applied to the Ref terminal is summed with the output signal. Low impedance must be maintained at this node to assure good common-mode rejection. This is achieved by buffering the trim voltage with an op amp as shown.

NOISE PERFORMANCE

The PGA204/205 provides very low noise in most applications. Low frequency noise is approximately $0.4\mu\text{Vp-p}$ measured from 0.1 to 10Hz. This is approximately one-tenth the noise of “low noise” chopper-stabilized amplifiers.

INPUT BIAS CURRENT RETURN PATH

The input impedance of the PGA204/205 is extremely high—approximately $10^{10}\Omega$. However, a path must be provided for the input bias current of both inputs. This input bias current is typically less than $\pm 1\text{nA}$ (it can be either polarity due to cancellation circuitry). High input impedance means that this input bias current changes very little with varying input voltage.

Input circuitry must provide a path for this input bias current if the PGA204/205 is to operate properly. Figure 4 shows provisions for an input bias current path. Without a bias current return path, the inputs will float to a potential which exceeds the common-mode range of the PGA204/205 and the input amplifiers will saturate. If the differential source resistance is low, bias current return path can be connected to one input (see thermocouple example in Figure 4). With higher source impedance, using two resistors provides a balanced input with possible advantages of lower input offset voltage due bias current and better common-mode rejection.

Many sources or sensors inherently provide a path for input bias current (e.g. the bridge sensor shown in Figure 4). These applications do not require additional resistor(s) for proper operation.

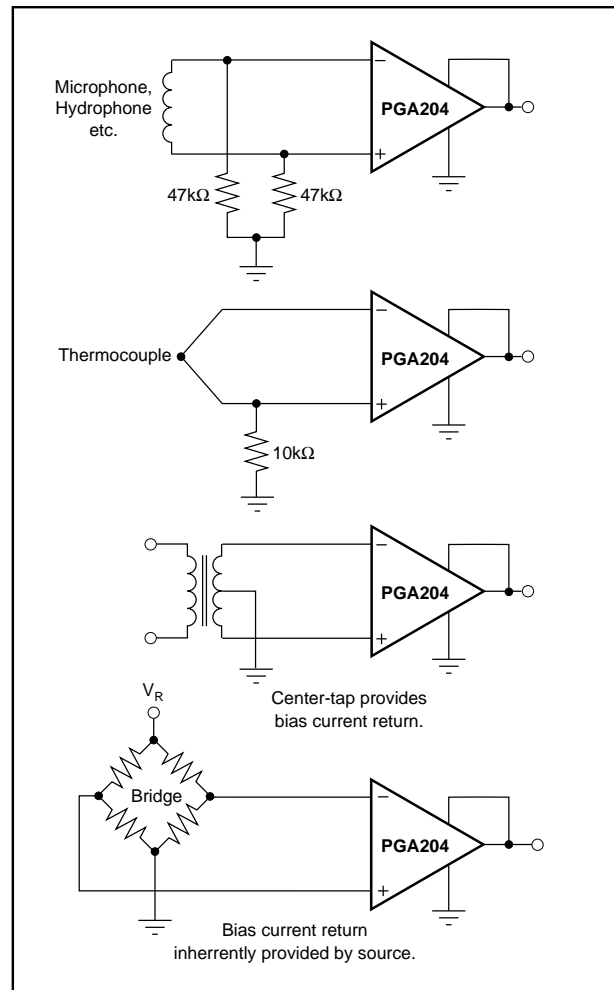


FIGURE 4. Providing an Input Common-Mode Current Path.

INPUT COMMON-MODE RANGE

The linear common-mode range of the input op amps of the PGA204/205 is approximately $\pm 12.7\text{V}$ (or 2.3V from the power supplies). As the output voltage increases, however, the linear input range will be limited by the output voltage swing of the input amplifiers, A_1 and A_2 . The common-mode range is related to the output voltage of the complete amplifier—see performance curve “Input Common-Mode Range vs Output Voltage”.

A combination of common-mode and differential input voltage can cause the output of A_1 or A_2 to saturate. Figure 5 shows the output voltage swing of A_1 and A_2 expressed in terms of a common-mode and differential input voltages. Output swing capability of these internal amplifiers is the same as the output amplifier, A_3 . For applications where input common-mode range must be maximized, limit the output voltage swing by selecting a lower gain of the PGA204/205 (see performance curve “Input Common-Mode Voltage Range vs Output Voltage”). If necessary, add gain after the PGA204/205 to increase the voltage swing.

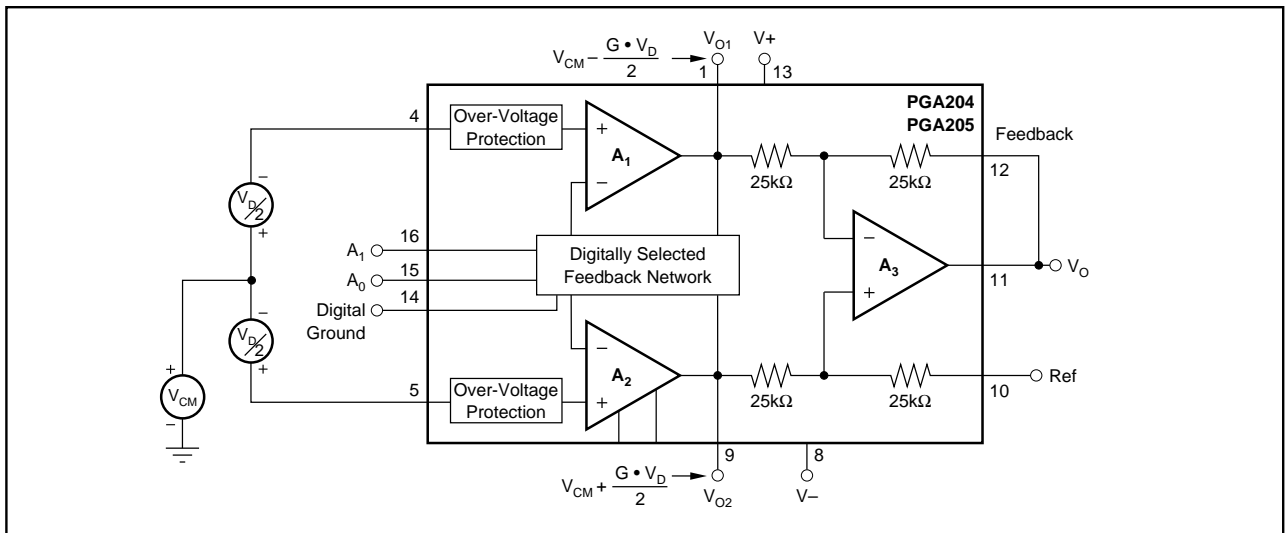


FIGURE 5. Voltage Swing of A₁ and A₂.

Input-overload often produces an output voltage that appears normal. For example, consider an input voltage of +20V on one input and +40V on the other input will obviously exceed the linear common-mode range of both input amplifiers. Since both input amplifiers are saturated to the nearly the same output voltage limit, the difference voltage measured by the output amplifier will be near zero. The output of the PGA204/205 will be near 0V even though both inputs are overloaded.

INPUT PROTECTION

The inputs of the PGA204/205 are individually protected for voltages up to $\pm 40V$. For example, a condition of $-40V$ on one input and $+40V$ on the other input will not cause damage. Internal circuitry on each input provides low series impedance under normal signal conditions. To provide equivalent protection, series input resistors would contribute excessive noise. If the input is overloaded, the protection circuitry limits the input current to a safe value (approximately 1.5mA). The typical performance curve "Input Bias Current vs Common-Mode Input Voltage" shows this input current limit behavior. The inputs are protected even if no power supply voltage is present.

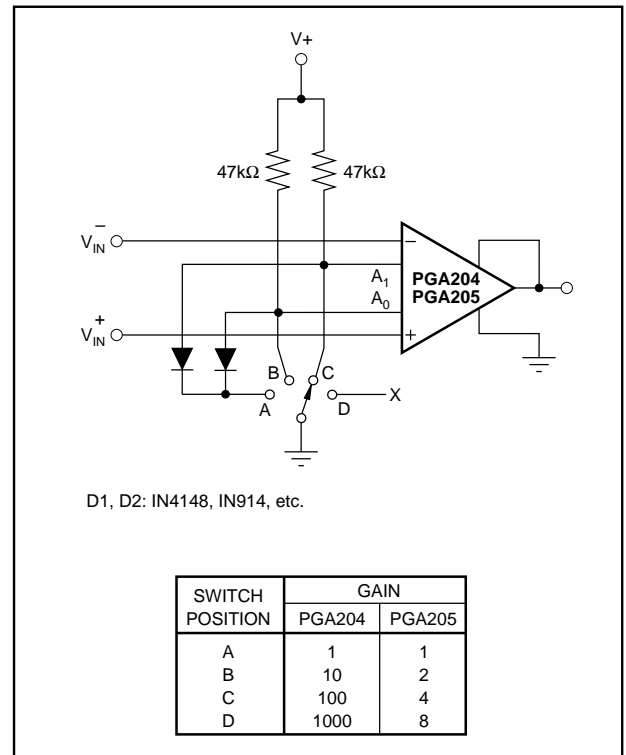


FIGURE 6. Switch-Selected PGIA.

The information provided herein is believed to be reliable; however, BURR-BROWN assumes no responsibility for inaccuracies or omissions. BURR-BROWN assumes no responsibility for the use of this information, and all use of such information shall be entirely at the user's own risk. Prices and specifications are subject to change without notice. No patent rights or licenses to any of the circuits described herein are implied or granted to any third party. BURR-BROWN does not authorize or warrant any BURR-BROWN product for use in life support devices and/or systems.



FIGURE 7. Multiplexed-Input Programmable Gain IA.



FIGURE 8. Shield Drive Circuit.

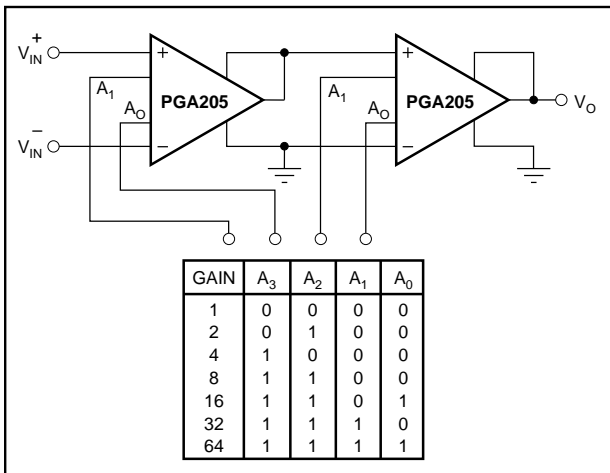


FIGURE 9. Binary Gain Steps, G=1 to G=64.

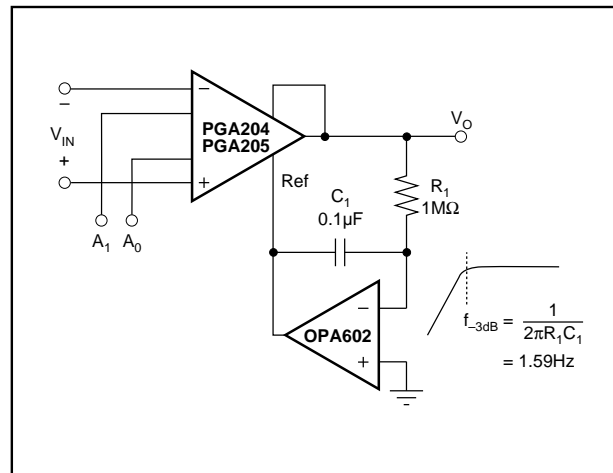


FIGURE 10. AC-Coupled PGIA.

PACKAGING INFORMATION

| Orderable Device | Status (1) | Package Type | Package Drawing | Pins | Package Qty | Eco Plan (2) | Lead finish/ Ball material (6) | MSL Peak Temp (3) | Op Temp (°C) | Device Marking (4/5) | Samples |
|------------------|---------------|--------------|-----------------|------|-------------|-----------------|--------------------------------------|----------------------|--------------|-------------------------|-------------------------|
| PGA204AP | ACTIVE | PDIP | N | 16 | 25 | RoHS & Green | NIPDAU | N / A for Pkg Type | | PGA204AP | Samples |
| PGA204AU | ACTIVE | SOIC | DW | 16 | 40 | RoHS & Green | NIPDAU-DCC | Level-3-260C-168 HR | -40 to 85 | PGA204AU | Samples |
| PGA204AU/1K | ACTIVE | SOIC | DW | 16 | 1000 | RoHS & Green | NIPDAU-DCC | Level-3-260C-168 HR | -40 to 85 | PGA204AU | Samples |
| PGA204AU/1KE4 | ACTIVE | SOIC | DW | 16 | 1000 | RoHS & Green | NIPDAU-DCC | Level-3-260C-168 HR | -40 to 85 | PGA204AU | Samples |
| PGA204AUE4 | ACTIVE | SOIC | DW | 16 | 40 | RoHS & Green | NIPDAU-DCC | Level-3-260C-168 HR | -40 to 85 | PGA204AU | Samples |
| PGA204AUG4 | ACTIVE | SOIC | DW | 16 | 40 | RoHS & Green | NIPDAU-DCC | Level-3-260C-168 HR | -40 to 85 | PGA204AU | Samples |
| PGA204BP | ACTIVE | PDIP | N | 16 | 25 | RoHS & Green | NIPDAU | N / A for Pkg Type | | PGA204BP | Samples |
| PGA204BPG4 | ACTIVE | PDIP | N | 16 | 25 | RoHS & Green | NIPDAU | N / A for Pkg Type | | PGA204BP | Samples |
| PGA204BU | ACTIVE | SOIC | DW | 16 | 40 | RoHS & Green | NIPDAU-DCC | Level-3-260C-168 HR | | PGA204BU | Samples |
| PGA204BU/1K | ACTIVE | SOIC | DW | 16 | 1000 | RoHS & Green | NIPDAU-DCC | Level-3-260C-168 HR | | PGA204BU | Samples |
| PGA205AP | ACTIVE | PDIP | N | 16 | 25 | RoHS & Green | NIPDAU | N / A for Pkg Type | -40 to 85 | PGA205AP | Samples |
| PGA205AU | ACTIVE | SOIC | DW | 16 | 40 | RoHS & Green | NIPDAU-DCC | Level-3-260C-168 HR | -40 to 85 | PGA205AU | Samples |
| PGA205AU/1K | ACTIVE | SOIC | DW | 16 | 1000 | RoHS & Green | NIPDAU-DCC | Level-3-260C-168 HR | -40 to 85 | PGA205AU | Samples |
| PGA205AUG4 | ACTIVE | SOIC | DW | 16 | 40 | RoHS & Green | NIPDAU-DCC | Level-3-260C-168 HR | -40 to 85 | PGA205AU | Samples |
| PGA205BP | ACTIVE | PDIP | N | 16 | 25 | RoHS & Green | NIPDAU | N / A for Pkg Type | -40 to 85 | PGA205BP | Samples |
| PGA205BU | ACTIVE | SOIC | DW | 16 | 40 | RoHS & Green | NIPDAU-DCC | Level-3-260C-168 HR | -40 to 85 | PGA205BU | Samples |
| PGA205BUG4 | ACTIVE | SOIC | DW | 16 | 40 | RoHS & Green | NIPDAU-DCC | Level-3-260C-168 HR | -40 to 85 | PGA205BU | Samples |

(1) The marketing status values are defined as follows:

ACTIVE: Product device recommended for new designs.

LIFEBUY: TI has announced that the device will be discontinued, and a lifetime-buy period is in effect.

NRND: Not recommended for new designs. Device is in production to support existing customers, but TI does not recommend using this part in a new design.

PREVIEW: Device has been announced but is not in production. Samples may or may not be available.

OBSOLETE: TI has discontinued the production of the device.

(2) RoHS: TI defines "RoHS" to mean semiconductor products that are compliant with the current EU RoHS requirements for all 10 RoHS substances, including the requirement that RoHS substance do not exceed 0.1% by weight in homogeneous materials. Where designed to be soldered at high temperatures, "RoHS" products are suitable for use in specified lead-free processes. TI may reference these types of products as "Pb-Free".

RoHS Exempt: TI defines "RoHS Exempt" to mean products that contain lead but are compliant with EU RoHS pursuant to a specific EU RoHS exemption.

Green: TI defines "Green" to mean the content of Chlorine (Cl) and Bromine (Br) based flame retardants meet JS709B low halogen requirements of ≤ 1000 ppm threshold. Antimony trioxide based flame retardants must also meet the ≤ 1000 ppm threshold requirement.

(3) MSL, Peak Temp. - The Moisture Sensitivity Level rating according to the JEDEC industry standard classifications, and peak solder temperature.

(4) There may be additional marking, which relates to the logo, the lot trace code information, or the environmental category on the device.

(5) Multiple Device Markings will be inside parentheses. Only one Device Marking contained in parentheses and separated by a "~" will appear on a device. If a line is indented then it is a continuation of the previous line and the two combined represent the entire Device Marking for that device.

(6) Lead finish/Ball material - Orderable Devices may have multiple material finish options. Finish options are separated by a vertical ruled line. Lead finish/Ball material values may wrap to two lines if the finish value exceeds the maximum column width.

Important Information and Disclaimer: The information provided on this page represents TI's knowledge and belief as of the date that it is provided. TI bases its knowledge and belief on information provided by third parties, and makes no representation or warranty as to the accuracy of such information. Efforts are underway to better integrate information from third parties. TI has taken and continues to take reasonable steps to provide representative and accurate information but may not have conducted destructive testing or chemical analysis on incoming materials and chemicals. TI and TI suppliers consider certain information to be proprietary, and thus CAS numbers and other limited information may not be available for release.

In no event shall TI's liability arising out of such information exceed the total purchase price of the TI part(s) at issue in this document sold by TI to Customer on an annual basis.

TAPE AND REEL INFORMATION

QUADRANT ASSIGNMENTS FOR PIN 1 ORIENTATION IN TAPE


*All dimensions are nominal

| Device | Package Type | Package Drawing | Pins | SPQ | Reel Diameter (mm) | Reel Width W1 (mm) | A0 (mm) | B0 (mm) | K0 (mm) | P1 (mm) | W (mm) | Pin1 Quadrant |
|-------------|--------------|-----------------|------|------|--------------------|--------------------|---------|---------|---------|---------|--------|---------------|
| PGA204AU/1K | SOIC | DW | 16 | 1000 | 330.0 | 16.4 | 10.75 | 10.7 | 2.7 | 12.0 | 16.0 | Q1 |
| PGA204BU/1K | SOIC | DW | 16 | 1000 | 330.0 | 16.4 | 10.75 | 10.7 | 2.7 | 12.0 | 16.0 | Q1 |
| PGA205AU/1K | SOIC | DW | 16 | 1000 | 330.0 | 16.4 | 10.75 | 10.7 | 2.7 | 12.0 | 16.0 | Q1 |

TAPE AND REEL BOX DIMENSIONS


*All dimensions are nominal

| Device | Package Type | Package Drawing | Pins | SPQ | Length (mm) | Width (mm) | Height (mm) |
|-------------|--------------|-----------------|------|------|-------------|------------|-------------|
| PGA204AU/1K | SOIC | DW | 16 | 1000 | 853.0 | 449.0 | 35.0 |
| PGA204BU/1K | SOIC | DW | 16 | 1000 | 853.0 | 449.0 | 35.0 |
| PGA205AU/1K | SOIC | DW | 16 | 1000 | 853.0 | 449.0 | 35.0 |

IMPORTANT NOTICE AND DISCLAIMER

TI PROVIDES TECHNICAL AND RELIABILITY DATA (INCLUDING DATASHEETS), DESIGN RESOURCES (INCLUDING REFERENCE DESIGNS), APPLICATION OR OTHER DESIGN ADVICE, WEB TOOLS, SAFETY INFORMATION, AND OTHER RESOURCES "AS IS" AND WITH ALL FAULTS, AND DISCLAIMS ALL WARRANTIES, EXPRESS AND IMPLIED, INCLUDING WITHOUT LIMITATION ANY IMPLIED WARRANTIES OF MERCHANTABILITY, FITNESS FOR A PARTICULAR PURPOSE OR NON-INFRINGEMENT OF THIRD PARTY INTELLECTUAL PROPERTY RIGHTS.

These resources are intended for skilled developers designing with TI products. You are solely responsible for (1) selecting the appropriate TI products for your application, (2) designing, validating and testing your application, and (3) ensuring your application meets applicable standards, and any other safety, security, or other requirements. These resources are subject to change without notice. TI grants you permission to use these resources only for development of an application that uses the TI products described in the resource. Other reproduction and display of these resources is prohibited. No license is granted to any other TI intellectual property right or to any third party intellectual property right. TI disclaims responsibility for, and you will fully indemnify TI and its representatives against, any claims, damages, costs, losses, and liabilities arising out of your use of these resources.

TI's products are provided subject to TI's Terms of Sale (<https://www.ti.com/legal/termsofsale.html>) or other applicable terms available either on [ti.com](https://www.ti.com) or provided in conjunction with such TI products. TI's provision of these resources does not expand or otherwise alter TI's applicable warranties or warranty disclaimers for TI products.

Mailing Address: Texas Instruments, Post Office Box 655303, Dallas, Texas 75265
Copyright © 2021, Texas Instruments Incorporated