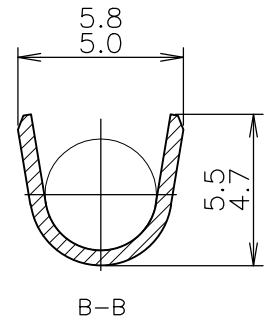
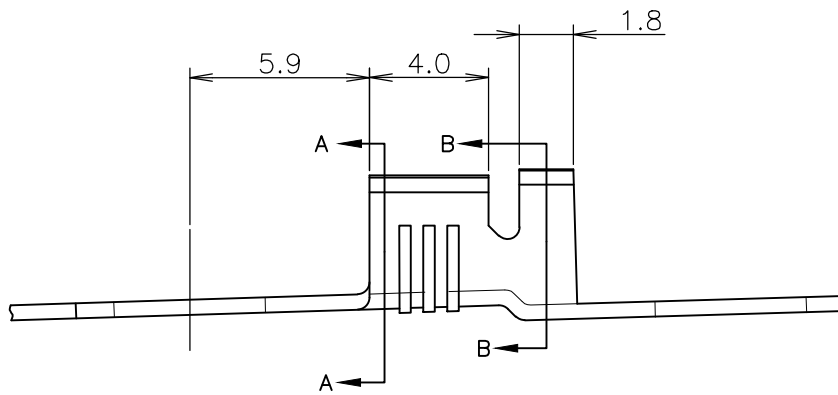
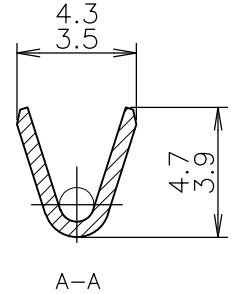
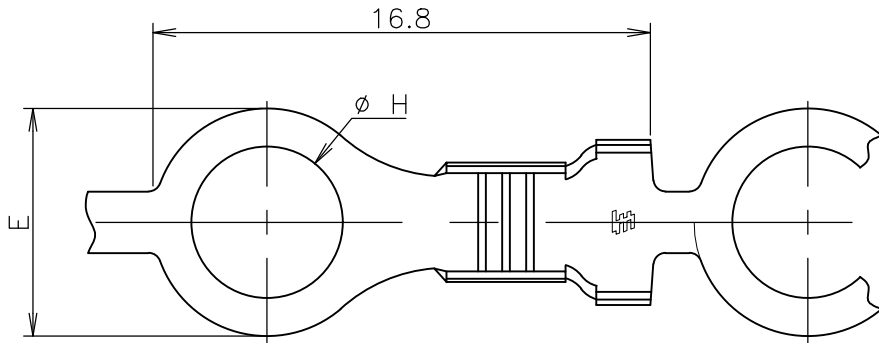


REVISIONS

P	LTR	DESCRIPTION	DATE	DWN	APVD
	F3	REVISED PER ECR-17-016303	14NOV2017	BDA	FV

-*; AS SHOWN



OBSOLETE	-	-	-	-	-	1-170011-5
OBSOLETE	-	-	-	-	-	1-170011-4
OBSOLETE	-	-	-	-	-	1-170011-3
OBSOLETE	-	-	-	-	-	1-170011-1
	4.34	↑	170053-8	TIN PL 錫めっき	↑	170011-8
OBSOLETE	4.34		170053-7	—H—		170011-7
OBSOLETE	3.2		170053-6	TIN PL 錫めっき		170011-6
OBSOLETE	3.2		170053-5	—H—		170011-5
OBSOLETE	4.19		170053-4	TIN PL 錫めっき		170011-4
	4.19		170053-3	—H—		170011-3
	5.0		170053-2	TIN PL 錫めっき		170011-2
	5.0	7.52	170053-1	—H—	BRASS 黄銅 0.5t	170011-1
	H±0.1	E±0.15	LOOSE PIECE NO. ばら状端子型番 (パレルはブリクランプ)	FINISH 仕上	MATERIAL 材料	P/N 連鎖状端子型番
	DIMENSIONS					

CLASS 分類	RING 丸型	TYPE 型式	AUTOMATIC オートマチック	WIRE RANGE 抱合電線断面積	AWG #18-#14 0.75~2.27 mm ²	INSULATION DIA 被覆外径	.120~.170 IN 3.05~4.32 mm ϕ
-------------	------------	------------	----------------------	-----------------------	--	------------------------	-------------------------------------

DIMENSIONS:
単位: 耗
mm

DWN T.TSUZAKI 04NOV2010

MATERIAL
材料 表参照 SEE TABLE

FINISH
仕上 表参照 SEE TABLE

TOLERANCES UNLESS
OTHERWISE SPECIFIED:
一般公差

CHK T.MASUDA 18NOV2010

APVD T.MASUDA 18NOV2010



TE Connectivity

PRODUCT SPEC
製品規格

NAME
名称

RING TERMINAL - STRIP
丸型端子 (連鎖状)

APPLICATION SPEC
取付適用規格

SIZE

CAGE CODE

DRAWING NO
番号

RESTRICTED TO

WEIGHT

A4

00779

C-170011

CUSTOMER DRAWING

SCALE
尺度

4:1

SHEET

1 OF 1

REV F3

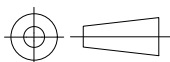
RELEASED FOR PUBLICATION - , 1975.

ALL RIGHTS RESERVED.

THIS DRAWING IS UNPUBLISHED.

© COPYRIGHT 1975 By -

- 0 PLC ±
- 1 PLC ±
- 2 PLC ± ±0.4
- 3 PLC ±
- 4 PLC ±
- ANGLES ± 1°



Mouser Electronics

Authorized Distributor

Click to View Pricing, Inventory, Delivery & Lifecycle Information:

[TE Connectivity:](#)

[170011-2](#)