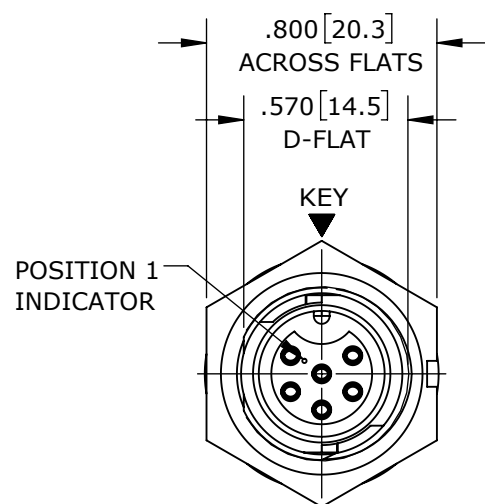


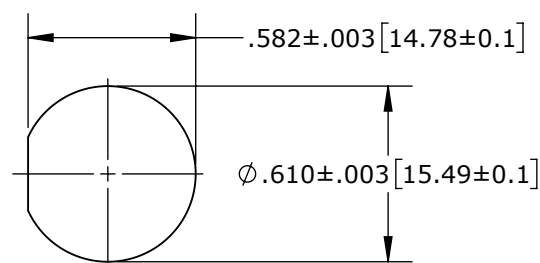
CUSTOMER PRINT

PART NUMBER: W728X-XSG-P-3XX_CD

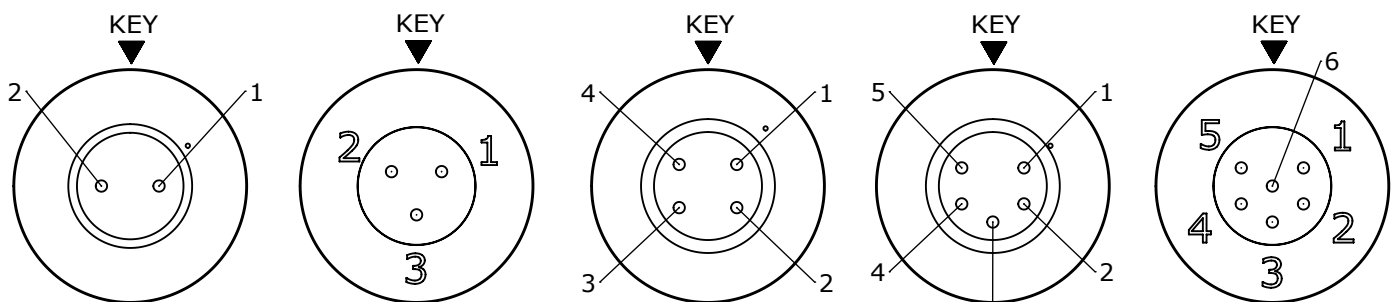
- NOTES:
1. CRIMP CONTACTS SUPPLIED UNASSEMBLED AND WITHOUT EPOXY BACKING.
 2. REFER TO DRAWING HPMISTD FOR CONTACT PATTERNS.
 3. HEX-NUT TORQUE: 8-10 IN-LB.
 4. DIMENSIONS ARE REFERENCE ONLY, IN INCHES [mm], WITHIN ±0.015 UNLESS OTHERWISE NOTED.



MATING FACE
W7282-6SG-P-300 SHOWN

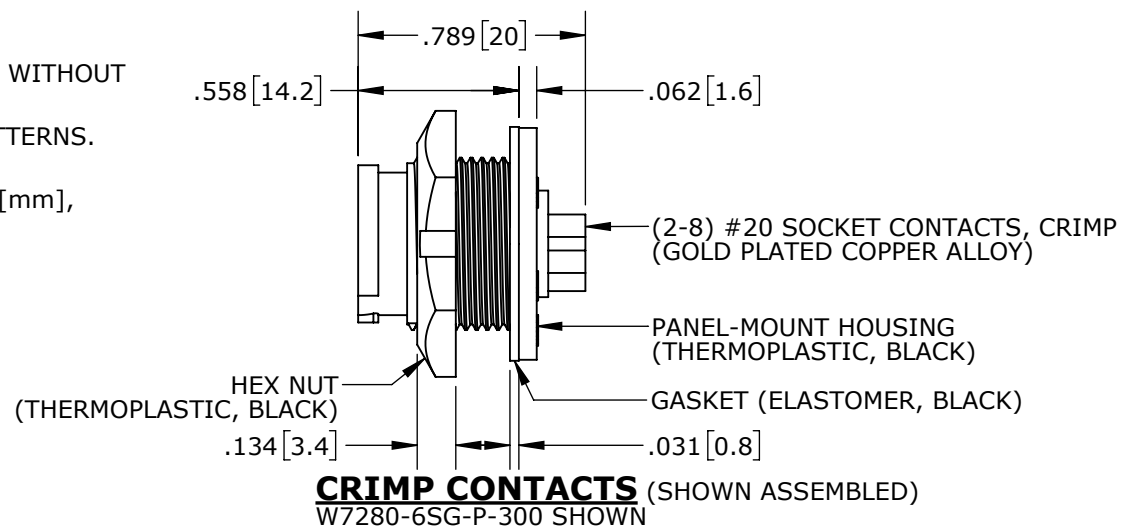


RECOMMENDED PANEL CUTOUT

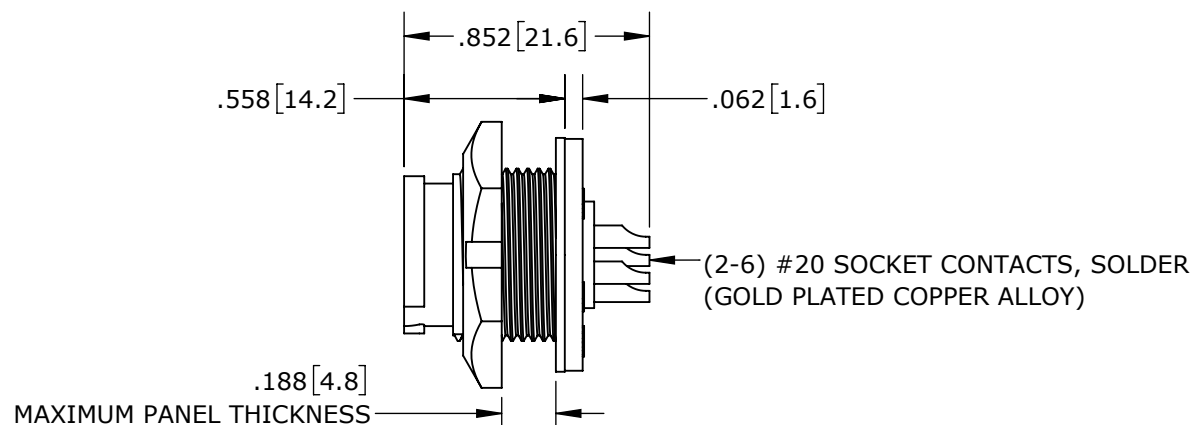


W7281-2SG-P-3ES W7281-3SG-P-3ES W7281-4SG-P-3ES W7281-5SG-P-3ES W7281-6SG-P-3ES

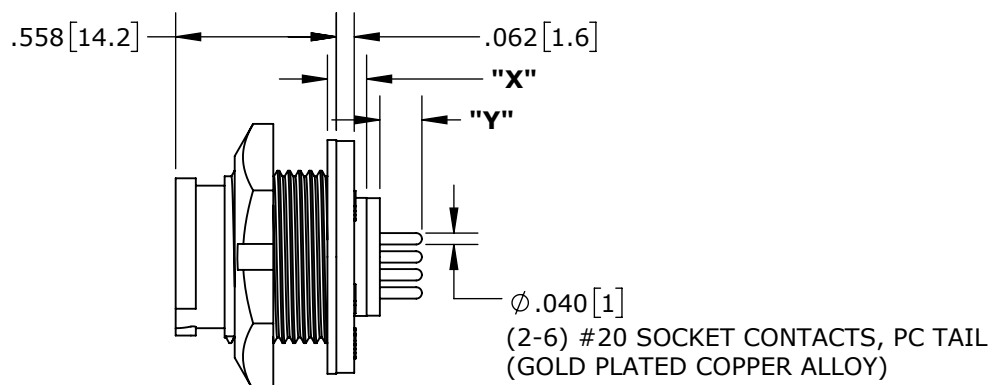
CONTACT ARRANGEMENTS (WIRING END SHOWN)



CRIMP CONTACTS (SHOWN ASSEMBLED)
W7280-6SG-P-300 SHOWN



SOLDER CONTACTS
W7282-6SG-P-300 SHOWN



PC TAIL CONTACTS
W7281-6SG-P-3ES SHOWN

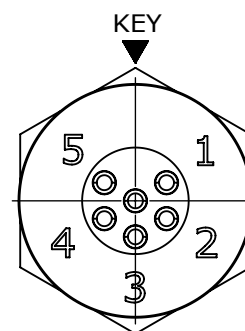
PANEL-MOUNT CONNECTOR PART NUMBERS:

W 7 2 8 X - X S G - P - 3XX

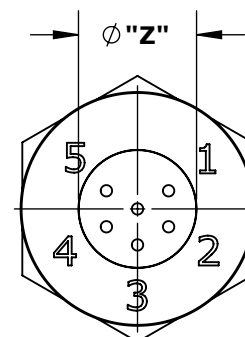
CONTACTS STYLE:
0 = CRIMP
2 = SOLDER
1 = PC TAIL

OF CONTACTS:
2-6 #20 SOCKETS

EPOXY BACKING:
3ES = WITH EPOXY
300 = WITHOUT EPOXY



WIRING END
W7282-6SG-P-300 SHOWN



WIRING END
W7281-6SG-P-3ES SHOWN

CUSTOMER APPROVAL

THIS DOCUMENT CONTAINS CONFIDENTIAL INFORMATION PROPRIETARY TO CONXALL CORPORATION. ANY REPRODUCTION, DISCLOSURE, OR USE OF THIS DOCUMENT /INFORMATION IS EXPRESSLY PROHIBITED UNLESS AUTHORIZED IN WRITING BY CONXALL CORPORATION.

APPROVED BY: _____
DATE: _____

PC CONTACT CONNECTORS DIMENSIONING:

PART NUMBER	"X"	"Y"	"Z"
W7281-2SG-P-300			
W7281-3SG-P-300			
W7281-4SG-P-300	.133 [3.4]	.195 [5]	.370 [9.4]
W7281-5SG-P-300			
W7281-6SG-P-300			
W7281-2SG-P-3ES	.183 [4.6]	.145 [3.7]	.430 [10.9]
W7281-3SG-P-3ES	.136 [3.5]	.192 [4.9]	.410 [10.4]
W7281-4SG-P-3ES	.183 [4.6]	.145 [3.7]	.465 [3.7]
W7281-5SG-P-3ES			
W7281-6SG-P-3ES	.136 [3.5]	.192 [4.9]	.410 [10.4]

0A	PNK	01-12-18	PDR16014
REV.	INIT.	DATE	DESCRIPTION
<small>ALL INFORMATION ILLUSTRATED IS THE PROPERTY OF CONXALL CORPORATION. UNAUTHORIZED DUPLICATION OR DISTRIBUTION OF THIS DOCUMENT IS PROHIBITED.</small>			ORIG. DRAWN BY: _____ DATE: 01-12-18 CHECKED BY: _____
<small>ALL UNITS ARE IN FEET, INCHES, FRACTION OF INCHES AND DECIMALS.</small>			APPROVED BY: _____ TITLE: PANEL-MOUNT CONNECTOR 2-6 #20 SOCKET CONTACTS INSTA-CLICK™ MINI-CON-X CUSTOMER: STANDARD PRODUCT
SCALE	SIZE	SHEET	PART NUMBER: W728X-XSG-P-3XX
NTS	B	1 OF 1	REV 0A
FILE:	DIRECTORY:	PART	
W728X-XSG-P-3XX_CD	SLW		

RoHS COMPLIANT

Mouser Electronics

Authorized Distributor

Click to View Pricing, Inventory, Delivery & Lifecycle Information:

Switchcraft:

[W7280-4SG-P-300](#) [W7280-3SG-P-300](#) [W7282-5SG-P-300](#) [W7282-3SG-P-3ES](#) [W7282-6SG-P-3ES](#) [W7282-4SG-P-300](#) [W7281-6SG-P-300](#) [W7281-3SG-P-3ES](#) [W7280-6SG-P-300](#) [W7282-3SG-P-300](#) [W7282-6SG-P-300](#) [W7281-2SG-P-300](#) [W7281-6SG-P-3ES](#) [W7281-4SG-P-300](#) [W7282-2SG-P-3ES](#) [W7282-2SG-P-300](#) [W7280-2SG-P-300](#) [W7282-4SG-P-3ES](#) [W7281-2SG-P-3ES](#) [W7281-4SG-P-3ES](#) [W7281-5SG-P-300](#) [W7280-5SG-P-300](#) [W7281-5SG-P-3ES](#) [W7281-3SG-P-300](#) [W7282-5SG-P-3ES](#)