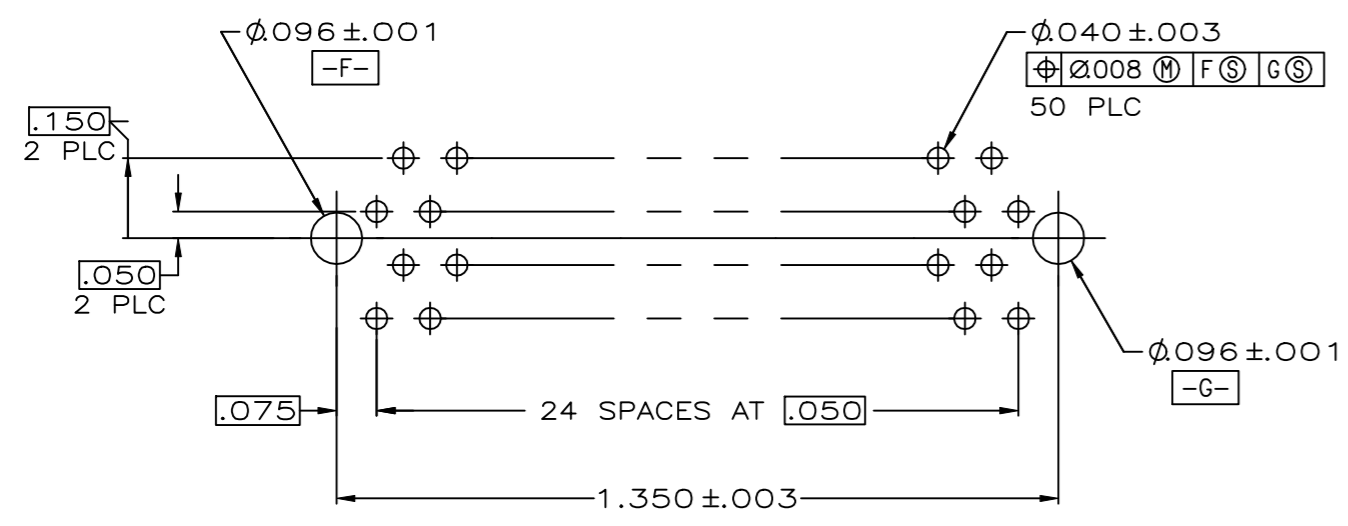
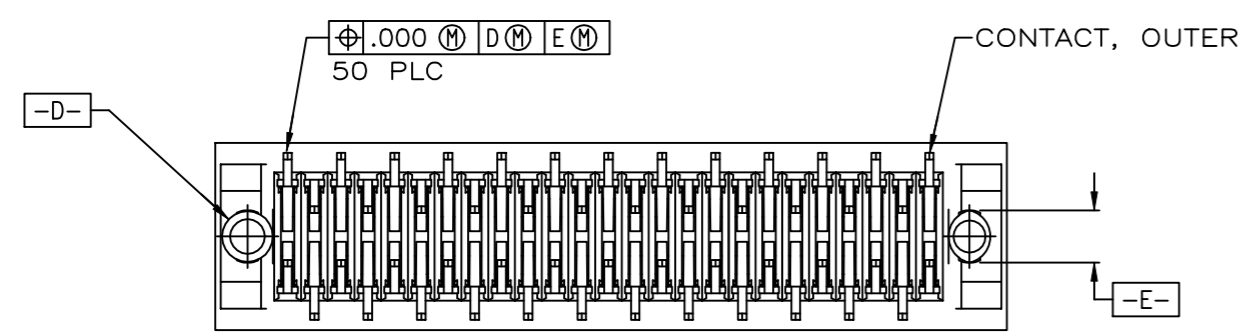
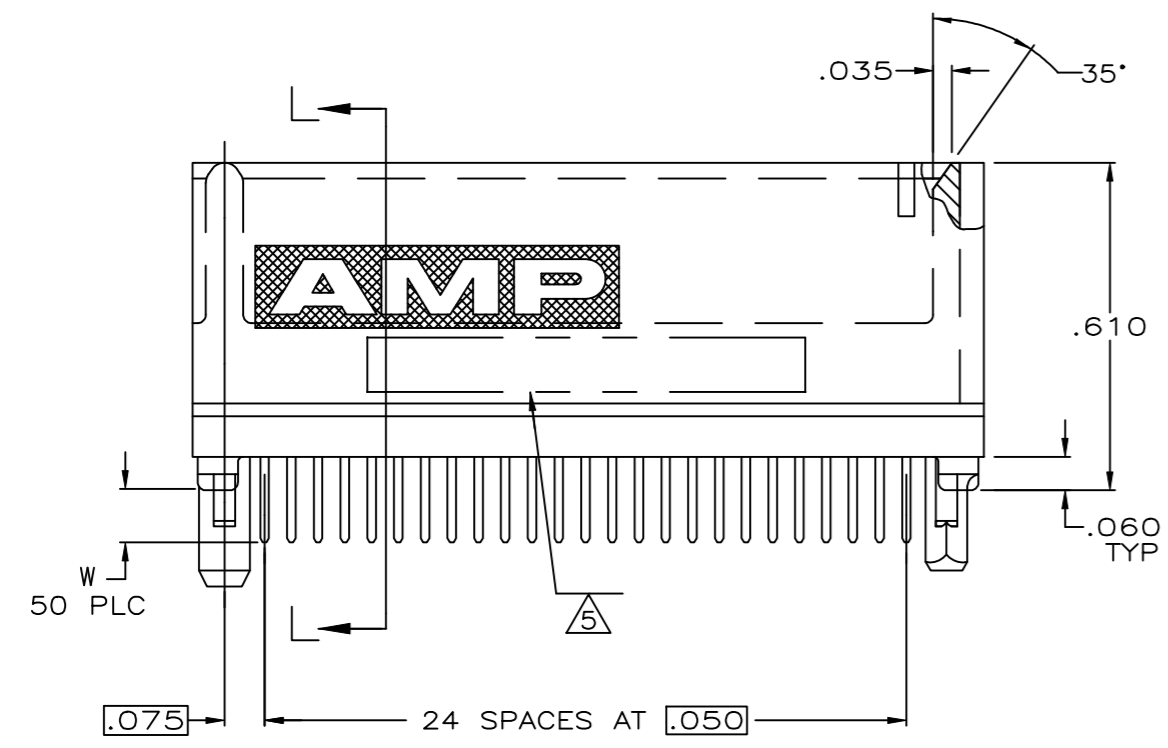
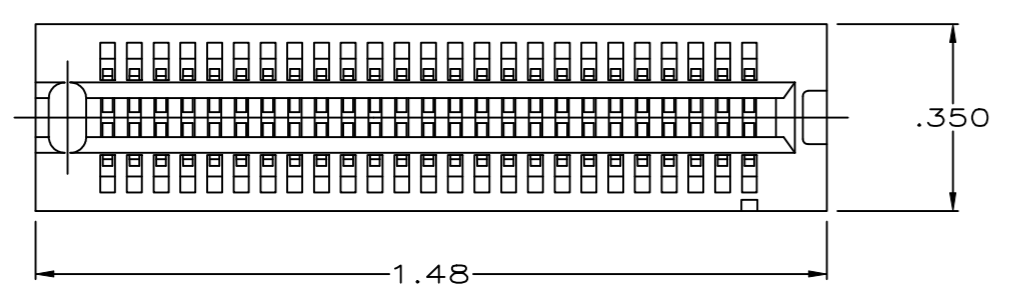
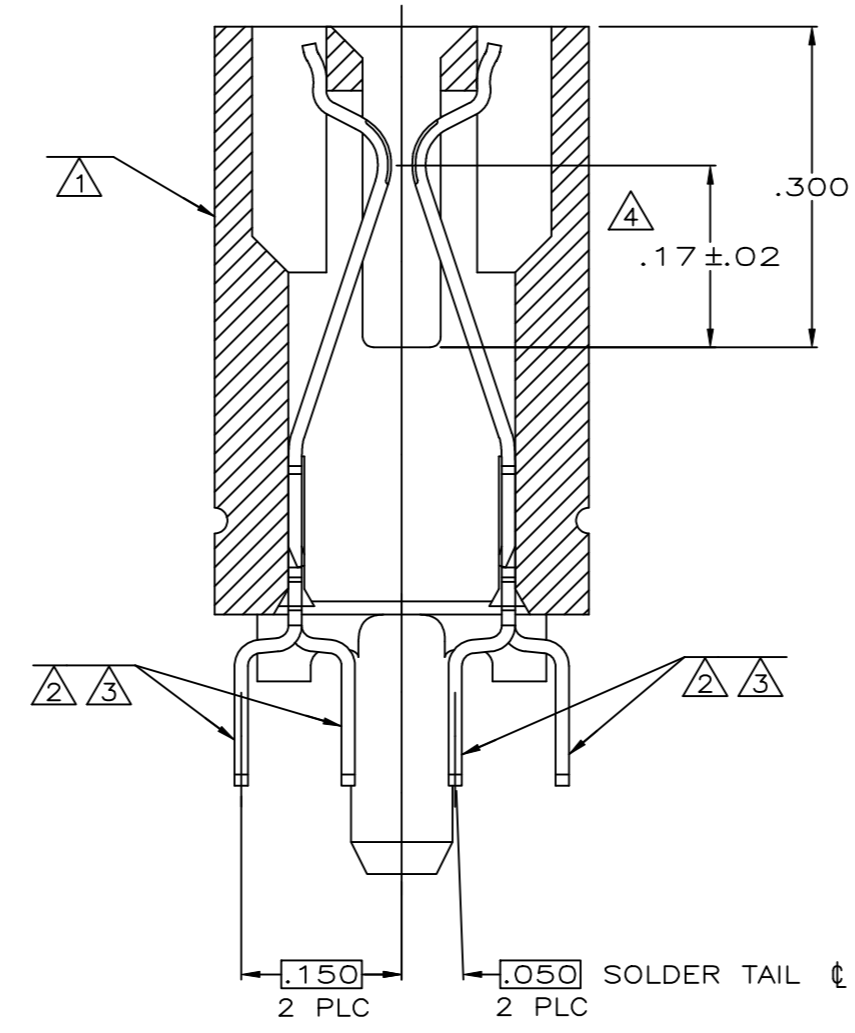


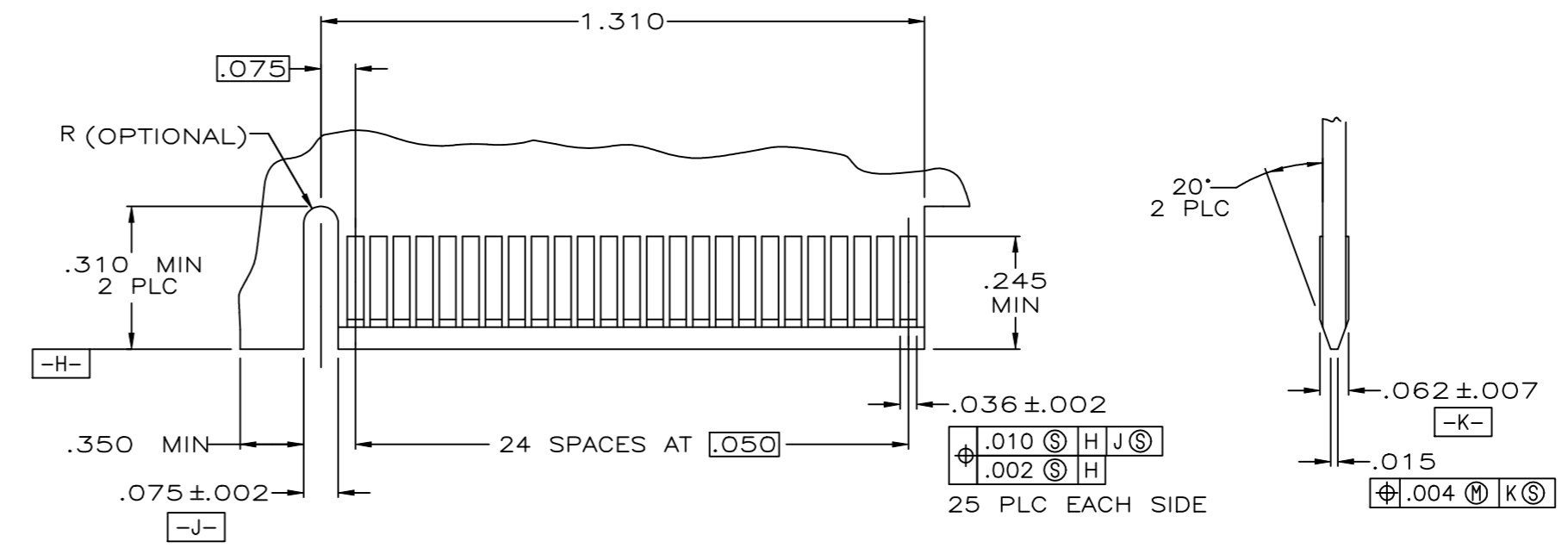
REVISIONS					
P	LTR	DESCRIPTION	DATE	OWN	APVD
A		ECO-18-017215	30DEC2018	FL	HL



RECOMMENDED CONNECTOR MOUNTING HOLE PATTERN (CONNECTOR SIDE SHOWN)



SECTION L-L
SCALE 8:1



RECOMMENDED MATING BOARD EDGE CONFIGURATION

- ① HOUSING: HIGH TEMPERATURE THERMOPLASTIC. COLOR: BROWN.
- ② CONTACT: PHOSPHOR BRONZE.
- ③ CONTACT FINISH: .000100 MIN NICKEL ALL OVER, .000030 MIN GOLD OVER NICKEL IN CONTACT AREA, .000100 MIN MATTE TIN OVER NICKEL ON SOLDER TAILS.
- ④ DISTANCE FROM CONTACT POINT TO BOTTOM OF CARD SLOT.
- ⑤ AMP PART NUMBER, DATE CODE AND CSA LOGO MARKED IN APPROXIMATE AREA SHOWN.

.14	5650719-2
.10	5650719-1
W	PART NUMBER

THIS DRAWING IS A CONTROLLED DOCUMENT.		OWN: AL FRANTUM 24 JUN 05	TE Connectivity	
DIMENSIONS: INCHES		CHK: AL FRANTUM 24 JUN 05	NAME	
TOLERANCES UNLESS OTHERWISE SPECIFIED:		APVD: -	PRODUCT SPEC: 108-14034	
0 PLC ± -		APPLICATION SPEC: 114-26012		
1 PLC ± .01		SIZE: A1		
2 PLC ± .01		CAGE CODE: 00779		
3 PLC ± .005		DRAWING NO: 5650719		
4 PLC ± .005		WEIGHT: 0.000000		
ANGLES ± °		CUSTOMER DRAWING		
MATERIAL: ① ②		SCALE: 4:1		
FINISH: ③		SHEET 1 OF 1		
		REV A		