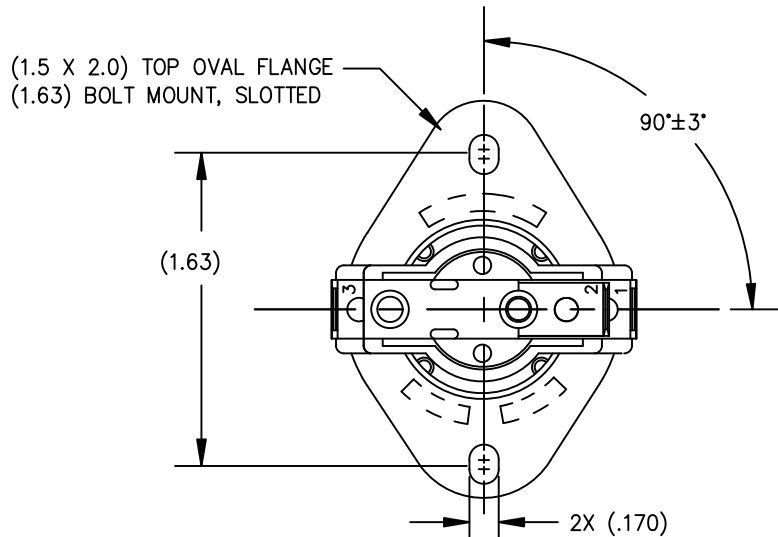


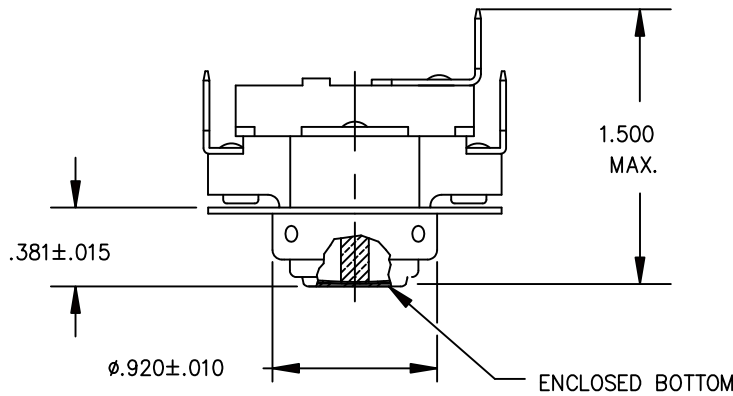
REV.	REVISION DESCRIPTION	ECN NO.	DATE
A	INITIAL RELEASE FOR PRODUCTION; GML	ECO-052432	05-MAR-2010

TEMPERATURE RANGE..... 300°F MAX.
ELECTRICAL RATING.....(1 & 3) 120VAC - 25A RES, 10 FLA, 60 LRA, 125VA
240VAC - 25A RES, 5 FLA, 30 LRA, 125VA
ELECTRICAL RATING.....(1 & 2) 120VAC - 10A RES, 5.8 FLA, 34.8 LRA, 125VA
240VAC - 5A RES, 2.9 FLA, 17.4 LRA, 125VA
LIFE AT RATED LOAD.....100,000 CYCLES
DIELECTRIC STRENGTH..... 1554 VRMS TERMINALS TO MOUNTING
UL RECOGNIZED..... FILE E9977, GUIDE XAPX2, FILE MP986, GUIDE MBPR2
UL RECOGNIZED FOR CANADA....FILE E9977, GUIDE XAPX8, FILE MP986, GUIDE MBPR8

OPERATING TEMPERATURE:
OPEN TEMP. 194° F ±5°
CLOSE TEMP. 156° F ±6°
TEMP. CODE L194-3.8



NOTE:
PART TO BE CODED WITH:
SENSATA P/N
TEMP. CODE
DATE CODE



KLIXON
®
CONTROL PRODUCTS
DIVISION

FOR REFERENCE ONLY, CHECK LATEST REVISION BEFORE USE.
PARTS MADE TO THIS PRINT MUST CONFORM TO E9898 REV. E



529 PLEASANT STREET
P.O. BOX 2964
ATTLEBORO, MA 02703

DRAWN
G.LAPATI
DATE 05-MAR-2010

ENGINEER
A.AMORE
DATE 05-MAR-2010

APPROVED
K.SULLIVAN
DATE 05-MAR-2010

APPROVED
B.DAGUE
DATE 05-MAR-2010

SENSATA TECHNOLOGIES PROPRIETARY AND CONFIDENTIAL. NEITHER THIS PRINT NOR THE INFORMATION CONTAINED HEREON IS TO BE USED AGAINST THE INTERESTS OF SENSATA TECHNOLOGIES OR AGAINST THE INTERESTS OF ANY OF ITS AFFILIATED COMPANIES OR WHOLLY OWNED SUBSIDIARIES.

INTERPRET DIMENSIONING AND TOLERANCING PER ASME Y14.5-2009. UNLESS OTHERWISE SPECIFIED DIMENSIONS ARE IN INCHES.
TOLERANCES
DECIMALS ANGLES

TITLE
3/4" S.P.D.T.
AUTO RESET
THERMOSTAT

SIZE A	DWG NO. 20600D123-330	REV. A
SCALE NA	AUTOCAD	SHEET 1 OF 1

DO NOT SCALE DRAWING

THIRD ANGLE PROJECTION

Mouser Electronics

Authorized Distributor

Click to View Pricing, Inventory, Delivery & Lifecycle Information:

[Sensata:](#)

[20600D123-330](#)