

PLEASE CHECK WWW.MOLEX.COM FOR LATEST PART INFORMATION

Part Number: [0622018650](#)
Status: **Active**
Overview: [Application Tooling](#)
Description: Daughter Card Module Installation Press-In Tool for 3-Pair by 16-Column Assemblies

Documents:

[RoHS Certificate of Compliance \(PDF\)](#)

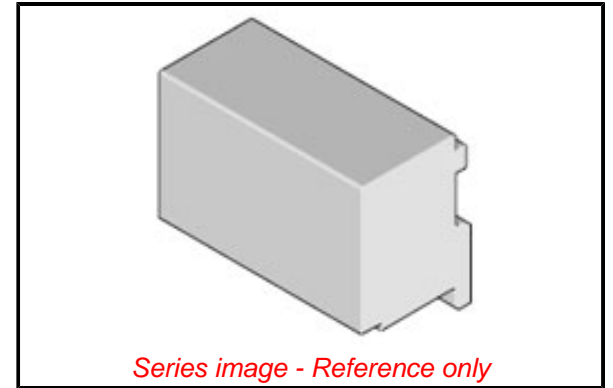
General

Product Family	Application Tooling
Series	207123
Comments	See Tooling Specification (PDF) Above
Function	Insertion
Geographic Area	Global
Level of Automation	Manual
More Detailed Tech Information	applicationtooling@molex.com
Overview	Application Tooling
Product Name	Impact
Tool Type	Press-Fit Insertion Tool
UPC	883906116040
Warranty Disclaimer	CAUTION: Molex tooling crimp specifications are valid only when used with Molex terminals and tooling manufactured by Molex and sold by Molex or authorized distributors ("Molex Tooling"). When using tooling other than Molex Tooling with Molex specific connector systems listed in our ATS documents, the Molex tooling qualification does not apply and the responsibility for full qualification of the connector system is that of the customer. Molex accepts no liability for connector performance or tooling support where tooling other than Molex Tooling is used or where Molex Tooling is modified.

Material Info

Reference - Drawing Numbers

Application Tooling Documents [ATS-622018650-001, TM-622018799-001](#)



EU ELV

Not Relevant

EU RoHS

Not Relevant

REACH SVHC

Not Relevant

Halogen-Free

Status

Not Relevant

For more information, please visit [Contact US](#)

China ROHS

Not Relevant

ELV

Not Relevant

RoHS Phthalates

Not Relevant

Search Parts in this Series

[207123 Series](#)

Use With

Impact Daughtercard Signal Module Assembly, [76170 Series](#)

Application Tooling | [FAQ](#)

Description	Product #
Impact 85 Ohm Plus 3 Pair Right-Angle Daughtercard, Unguided, 16 Columns, 144 Circuits, Plated Through Hole Dimension 0.39mm, Lead Free	1705301026
Impact 85 Ohm Plus 3 Pair Right-Angle Daughtercard, Left Guide, 16 Columns, 144 Circuits, Plated Through Hole Dimension 0.39mm, Lead Free	1705303026

Impact 85 Ohm Plus 1705305026

3 Pair Right-Angle
Daughtercard, Right
Guide, 16 Columns,
144 Circuits, Plated
Through Hole
Dimension 0.39mm,
Lead Free

Impact 100 Ohm 761701016

3 Pair Right-Angle
Daughtercard
Receptacle,
Unguided, 16
Columns, 144
Circuits, Plated
Through Hole
Dimension 0.46mm,
Lead-Free

Impact 100 Ohm 761701026

3 Pair Right-Angle
Daughtercard
Receptacle,
Unguided, 16
Columns, 144
Circuits, Plated
Through Hole
Dimension 0.39mm,
Lead-Free

Impact 100 Ohm 761703016

3 Pair Right-Angle
Daughtercard
Receptacle, Left
Guided, 16 Columns,
144 Circuits, Plated
Through Hole
Dimension 0.46mm,
Lead-Free

Impact 100 Ohm 761703026

3 Pair Right-Angle
Daughtercard
Receptacle, Left
Guided, 16 Columns,
144 Circuits, Plated
Through Hole
Dimension 0.39mm,
Lead-Free

Impact 100 Ohm 761704016

3 Pair Right-Angle
Daughtercard
Receptacle, Right
Guided, 16 Columns,
144 Circuits, Plated
Through Hole
Dimension 0.46mm,
Tin (Sn), Lead (Pb)

Impact 100 Ohm 761704026

3 Pair Right-Angle
Daughtercard
Receptacle, Right
Guided, 16 Columns,
144 Circuits, Plated
Through Hole
Dimension 0.39mm,
Tin (Sn), Lead (Pb)

Impact 100 Ohm 761705016
3 Pair Right-Angle
Daughtercard
Receptacle, Right
Guided, 16 Columns,
144 Circuits, Plated
Through Hole
Dimension 0.46mm,
Lead-Free

Impact 100 Ohm 761705026
3 Pair Right-Angle
Daughtercard
Receptacle, Right
Guided, 16 Columns,
144 Circuits, Plated
Through Hole
Dimension 0.39mm,
Lead-Free

Impact 100 Ohm 761705126
3 Pair Right-Angle
Daughtercard
Receptacle, Right
Guided, 16 Columns,
144 Circuits, Plated
Through Hole
Dimension 0.39mm,
Polarizing Key
Position A, Lead-
Free

Impact 100 Ohm 761705226
3 Pair Right-Angle
Daughtercard
Receptacle, Right
Guided, 16 Columns,
144 Circuits, Plated
Through Hole
Dimension 0.39mm,
Polarizing Key
Position B, Lead-
Free

Impact 100 Ohm 761705326
3 Pair Right-Angle
Daughtercard
Receptacle, Right
Guided, 16 Columns,
144 Circuits, Plated
Through Hole
Dimension 0.39mm,
Polarizing Key
Position C, Lead-
Free

Impact 100 Ohm 764101604
3 Pair Right-Angle
Male Header,
Unguided, Open
Endwall, 16
Columns, 144
Circuits, Pin Length
4.90mm, Plated
Through Hole
Dimension 0.46mm,
Lead Free

Impact 100 Ohm 764101607
3 Pair Right-Angle
Male Header,

Unguided, Open
Endwall, 16
Columns, 144
Circuits, Pin Length
4.90mm, Plated
Through Hole
Dimension 0.39mm,
Lead-Free

Impact 100 Ohm 764101608

3 Pair Right-Angle
Male Header,
Unguided, Open
Endwall, 16
Columns, 144
Circuits, Pin Length
5.50mm, Plated
Through Hole
Dimension 0.39mm,
Lead-Free

Impact 100 Ohm 764101627

3 Pair Right-Angle
Male Header,
Unguided, Dual
Endwall, 16
Columns, 144
Circuits, Pin Length
4.90mm, Plated
Through Hole
Dimension 0.39mm,
Lead-Free

Impact 100 Ohm 764103604

3 Pair Right-Angle
Male Header,
Left Guided,
Open Endwall,
16 Columns, 144
Circuits, Pin Length
4.90mm, Plated
Through Hole
Dimension 0.46mm,
Lead Free

Impact 100 Ohm 764103607

3 Pair Right-Angle
Male Header,
Left Guide, Open
Endwall, 16
Columns, 144
Circuits, Pin Length
4.90mm, Plated
Through Hole
Dimension 0.39mm,
Lead-Free

Impact 100 Ohm 764103608

3 Pair Right-Angle
Male Header,
Left Guide, Open
Endwall, 16
Columns, 144
Circuits, Pin Length
5.50mm, Plated
Through Hole
Dimension 0.39mm,
Lead-Free

Impact 100 Ohm 764105607

3 Pair Right-Angle

Male Header,
Right Guide,
Open Endwall,
16 Columns, 144
Circuits, Pin Length
4.90mm, Plated
Through Hole
Dimension 0.39mm,
Lead-Free
Impact 100 Ohm 764105608
3 Pair Right-Angle
Male Header,
Right Guide,
Open Endwall,
16 Columns, 144
Circuits, Pin Length
5.50mm, Plated
Through Hole
Dimension 0.39mm,
Tin (Sn)
Impact 100 Ohm 764105617
3 Pair Right-Angle
Male Header,
Right Guide,
Open Endwall,
16 Columns, 144
Circuits, Pin Length
4.90mm, Plated
Through Hole
Dimension 0.39mm,
Keying Orientation A,
Lead-Free
Impact 100 Ohm 764107607
3 Pair Right-Angle
Male Header,
Left Guide, Right
Endwall, 16
Columns, 144
Circuits, Pin Length
4.90mm, Plated
Through Hole
Dimension 0.39mm,
Lead-Free
Impact 100 Ohm 764109607
3 Pair Right-Angle
Male Header, Right
Guided, Left Endwall,
16 Columns, 144
Circuits, Pin Length
4.90mm, Plated
Through Hole
Dimension 0.39mm,
Lead Free

This document was generated on 06/26/2021

PLEASE CHECK WWW.MOLEX.COM FOR LATEST PART INFORMATION