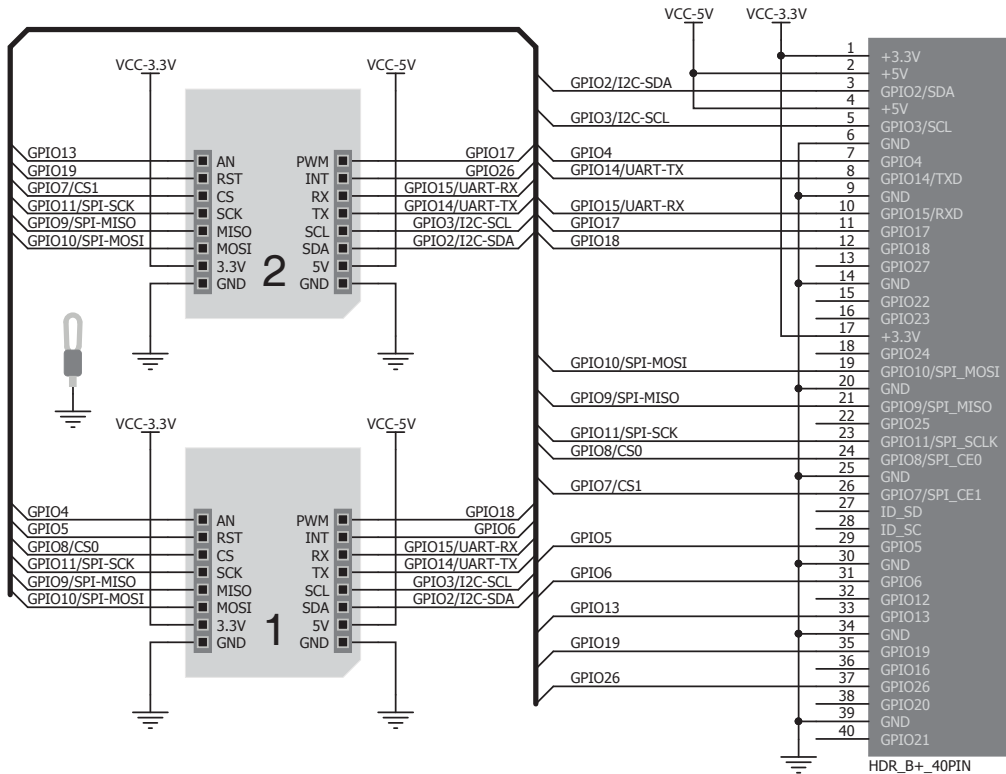
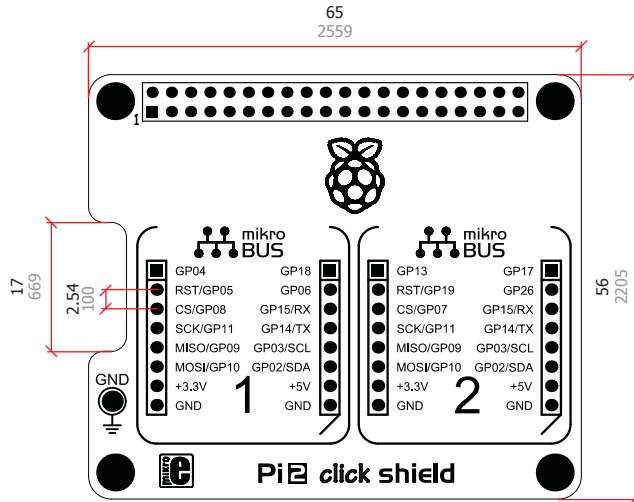


Pi2 click shield - schematics



Pi 2 click shield - dimensions

Legend
— mm
— mils



Pi2 click shield schematic v1.00

