

ITS42008-SB-D

Smart Octal High-Side NMOS-Power Switch

Data Sheet

Rev 1.01, 2014-05-19

Standard Power



1 Overview

Features

- Programmable Input thresholds: CMOS or $V_S / 2$
- Switching all types of resistive, inductive and capacitive loads
- Fast demagnetization of inductive loads
- Very low standby current
- Optimized Electromagnetic Compatibility (EMC)
- Constant current source diagnostic output for overtemperature
- Overload protection
- Undervoltage shutdown with hysteresis
- Current limitation
- Short circuit protection
- Thermal shutdown with restart
- Overvoltage protection (including load dump)
- Reverse battery protection with external resistor
- Loss of GND and loss of Vbb protection
- Electrostatic Discharge Protection (ESD)
- Green Product (RoHS compliant)

ITS42008-SB-D is not qualified and manufactured according to the requirements of Infineon Technologies with regards to automotive and/or transportation applications.

Description

The ITS42008-SB-D is a protected 200mΩ Smart Octal High-Side NMOS-Power Switch in a PG-DSO-36 power package with charge pump, CMOS or supply-ratiometric compatible input and constant current diagnostic feedback indicating overtemperature of the device.

Product Summary

Overvoltage protection $V_{SAZmin} = 47V$
 Operating voltage range: $11V < V_S < 45V$
 On-state resistance $R_{DSON} = \text{typ } 150m\Omega$
 Operating Temperature range: $T_j = -25^\circ C \text{ to } 125^\circ C$

Application

- All types of resistive, inductive and capacitive loads.
- Driver for electromagnetic relays
- Power switch for 12V, 24V and 42V DC applications with CMOS compatible or high voltage control interface
- Micro controller or opto coupler compatible power switch with diagnosis feedback for overtemperature
- Power management for high-side-switching with low current consumption in OFF-mode



PG-DSO-36

Type	Package	Marking
ITS42008-SB-D	PG-DSO-36	I2008D

2 Block Diagram and Terms

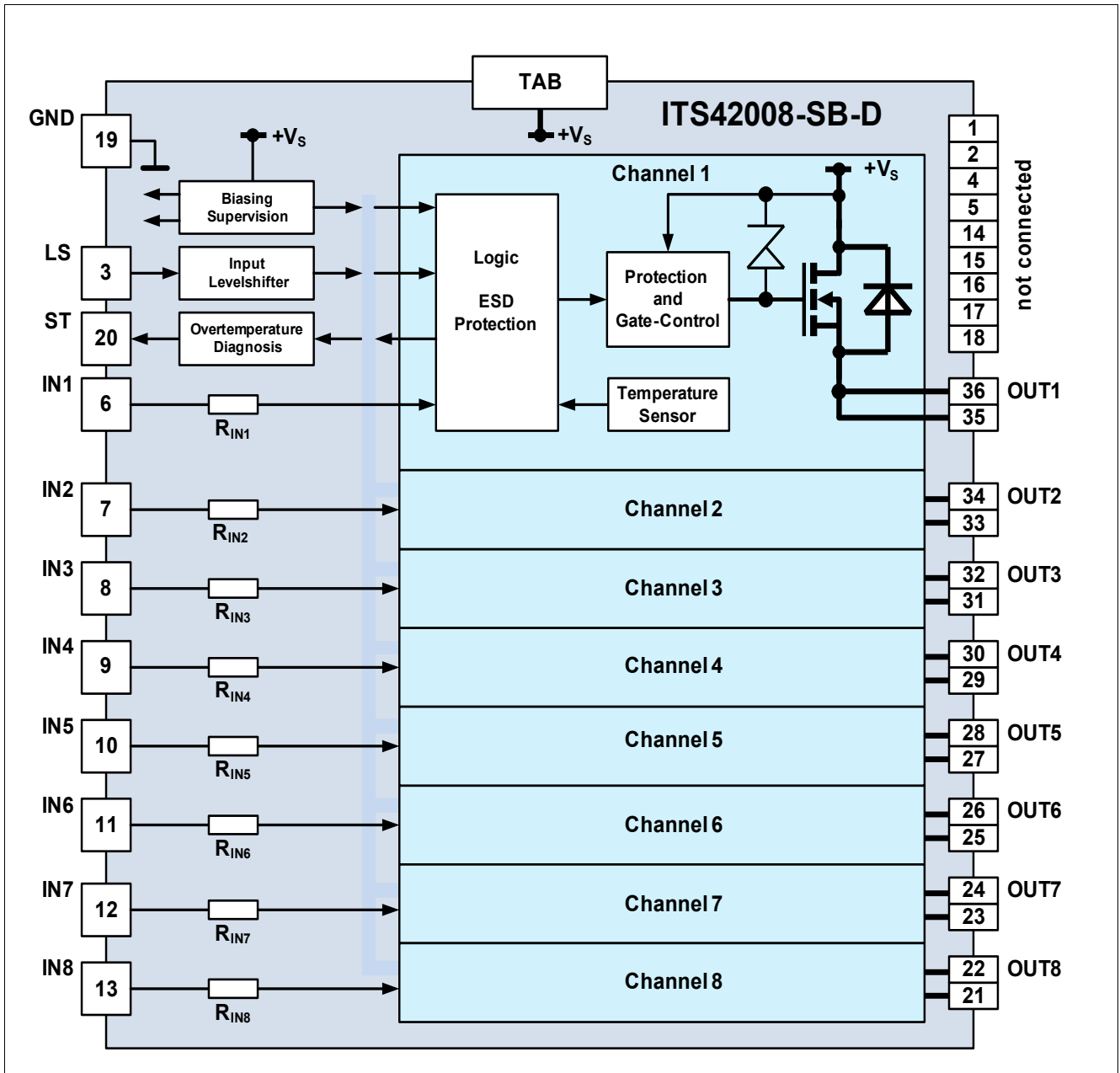
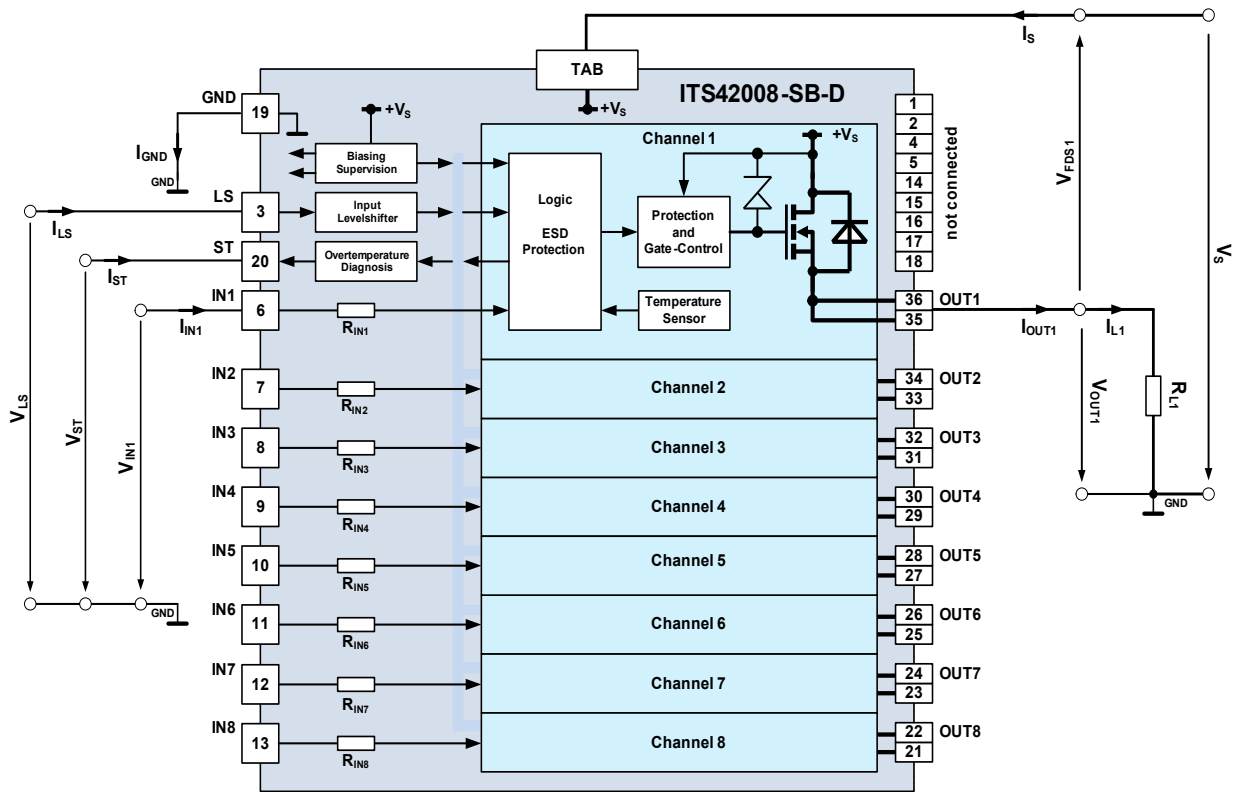


Figure 1 Block diagram

Voltage- and Current-Definitions:



Switching Times and Slew Rate Definitions:

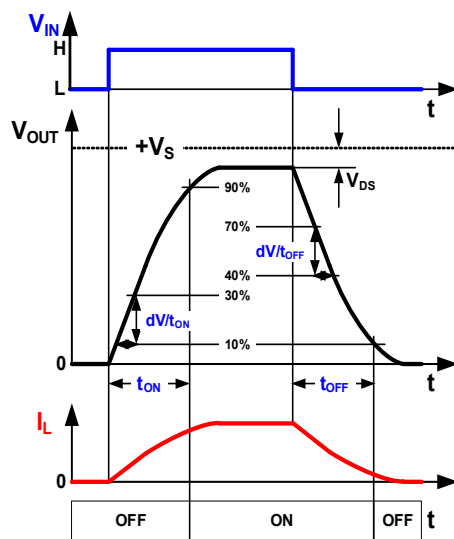


Figure 2 Terms - parameter definition

3 Pin Configuration

3.1 Pin Assignment

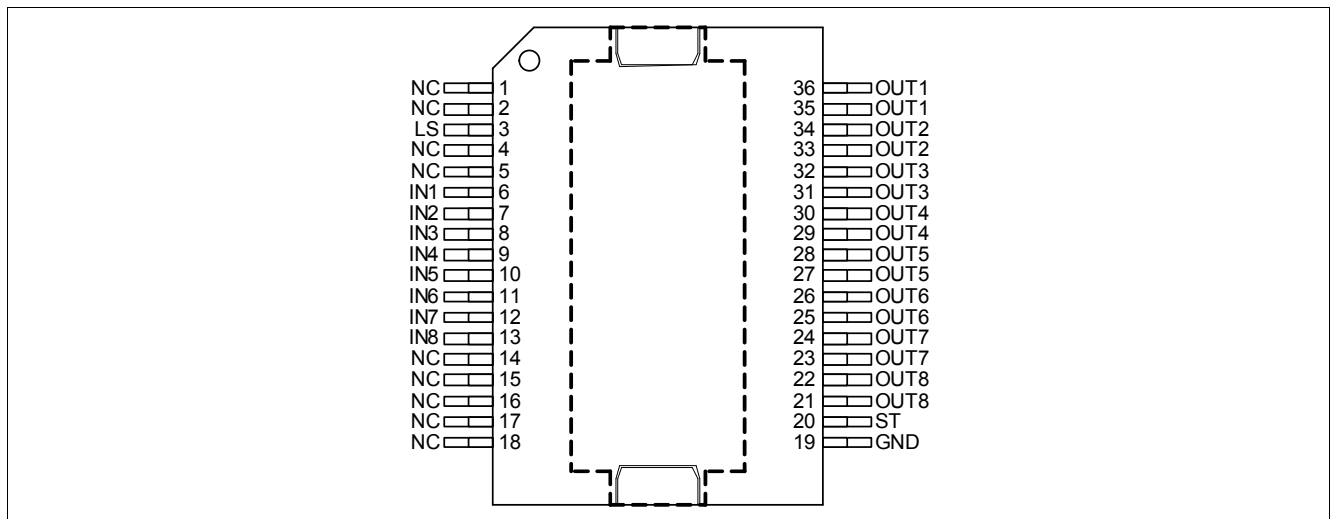


Figure 3 Pin configuration top view, PG-DSO-36

3.2 Pin Definitions and Functions

Pin	Symbol	Function
1, 2, 4, 5	NC	not connected
3	LS	Input level programming pin; Level: CMOS if LS=L; VS/2 if LS=H
6	IN1	Input channel 1, controls the power switch; the powerswitch is ON when IN1=H
7	IN2	Input channel 2, controls the power switch; the powerswitch is ON when IN2=H
8	IN3	Input channel 3, controls the power switch; the powerswitch is ON when IN3=H
9	IN4	Input channel 4, controls the power switch; the powerswitch is ON when IN4=H
10	IN5	Input channel 5, controls the power switch; the powerswitch is ON when IN5=H
11	IN6	Input channel 6, controls the power switch; the powerswitch is ON when IN6=H
12	IN7	Input channel 7, controls the power switch; the powerswitch is ON when IN7=H
13	IN8	Input channel 8, controls the power switch; the powerswitch is ON when IN8=H
14, 15, 16, 17, 18	NC	not connected
19	GND	Logic ground
20	ST	Status output (common diagnostic output); current source on in case of overtemperature; integrated pull down resistor to GND
21 and 22	OUT8	Output to the load of channel 8 (source of the DMOS power switch)
23 and 24	OUT7	Output to the load of channel 7 (source of the DMOS power switch)
25 and 26	OUT6	Output to the load of channel 6 (source of the DMOS power switch)
27 and 28	OUT5	Output to the load of channel 5 (source of the DMOS power switch)

Pin Configuration

Pin	Symbol	Function
29 and 30	OUT4	Output to the load of channel 4 (source of the DMOS power switch)
31 and 32	OUT3	Output to the load of channel 3 (source of the DMOS power switch)
33 and 34	OUT2	Output to the load of channel 2 (source of the DMOS power switch)
35 and 36	OUT1	Output to the load of channel 1 (source of the DMOS power switch)
TAB	VS	Supply voltage (design the wiring for the maximum short circuit current and also for low thermal resistance)

4 General Product Characteristics

4.1 Absolute Maximum Ratings

Table 1 Absolute maximum ratings ¹⁾ at $T_j = 25^\circ\text{C}$ unless otherwise specified. Currents flowing into the device unless otherwise specified in chapter "Block Diagram and Terms"

Parameter	Symbol	Values			Unit	Note / Test Condition	Number
		Min.	Typ.	Max.			
Supply voltage VS							
Voltage	V_S			45	V		4.1.1
Voltage for short circuit protection	V_{SSC}			V_S	V		4.1.2
Output stage OUTx							
Output Current; (Short circuit current see electrical characteristics)	I_{OUTx}	- 2			A	self limited	4.1.3
Reverse current through GND							
Current	I_{RGND}			1.6	A	self limited	4.1.4
Input INx (channel 1 to 8)							
Voltage	V_{INx}	- 10		V_S	V		4.1.5
Current	I_{IN}	- 5		5	mA		4.1.6
Input level programming LS							
Voltage	V_{LS}	- 1		V_S	V		4.1.7
Status ST							
Voltage	I_{LS}	- 0.3			V	self limited	4.1.8
Current	I_{LS}			1	mA	self limited	4.1.9
Temperatures							
Junction Temperature	T_j	-40		125	$^\circ\text{C}$		4.1.10
Storage Temperature	T_{stg}	-55		125	$^\circ\text{C}$		4.1.11
Power dissipation							
$T_a = 25^\circ\text{C}^{2)}$	P_{tot}			3.3	W		4.1.12
Inductive load switch-off energy dissipation							
$T_j = 125^\circ\text{C}$; $IL = 625\text{mA}^{1)}$; all channels active	E_{AS}			1	J	single pulse	4.1.13
$T_j = 125^\circ\text{C}$; $IL = 625\text{mA}^{1)}$; one channel active	E_{AS}			10	J	single pulse	4.1.14
ESD Susceptibility							
ESD susceptibility (pins INx; LS and ST)	V_{ESD}	-1		1	kV	HBM ³⁾	4.1.15
ESD susceptibility (all other pins)	V_{ESD}	-5		5	kV	HBM ³⁾	4.1.16

1) Not subject to production test, specified by design

2) Device on 50mm*50mm*1.5mm epoxy PCB FR4 with 6 cm² (one layer, 70mm thick) copper area for V_{bb} connection. PCB is vertical without blown air

3) ESD susceptibility HBM according to EIA/JESD 22-A 114.

General Product Characteristics

Note: Exposure to absolute maximum rating conditions for extended periods may affect device reliability. Integrated protection functions are designed to prevent IC destruction under fault conditions described in the data sheet. Fault conditions are considered as “outside” the normal operating range. Protection functions are neither designed for continuous nor repetitive operation.

4.2 Functional Range

Table 2 Functional Range

Parameter	Symbol	Values			Unit	Note / Test Condition	Number
		Min.	Typ.	Max.			
Nominal Operating Voltage	V_S	11		45	V	V_S increasing	4.2.1

Note: Within the functional range the IC operates as described in the circuit description. The electrical characteristics are specified within the conditions given in the related electrical characteristics table.

4.3 Thermal Resistance

Note: This thermal data was generated in accordance with JEDEC JESD51 standards. For more information, go to www.jedec.org.

Table 3 Thermal Resistance¹⁾

Parameter	Symbol	Values			Unit	Note / Test Condition	Number
		Min.	Typ.	Max.			
Thermal Resistance - Junction to tab	$R_{thj-tab}$		2.8		K/W		4.3.1
Thermal Resistance - Junction to Ambient - 1s0p, minimal footprint	R_{thJA_1s0p}		44.1		K/W	²⁾	4.3.2
Thermal Resistance - Junction to Ambient - 1s0p, 300mm ²	$R_{thJA_1s0p_300mm^2}$		26.5		K/W	³⁾	4.3.3
Thermal Resistance - Junction to Ambient - 1s0p, 600mm ²	$R_{thJA_1s0p_600mm^2}$		23.8		K/W	⁴⁾	4.3.4
Thermal Resistance - Junction to Ambient - 2s2p	R_{thJA_2s2p}		19.9		K/W	⁵⁾	4.3.5
Thermal Resistance - Junction to Ambient with thermal vias - 2s2p	R_{thJA_2s2ptv}		18.8		K/W	⁶⁾	4.3.6

1) Not subject to production test, specified by design

2) Specified R_{thJA} value is according to Jedec JESD51-3 at natural convection on FR4 1s0p board, footprint; the Product (Chip+Package) was simulated on a 76.2 x 114.3 x 1.5 mm board with 1x 70μm Cu.

3) Specified R_{thJA} value is according to Jedec JESD51-3 at natural convection on FR4 1s0p board, Cu, 300mm²; the Product (Chip+Package) was simulated on a 76.2 x 114.3 x 1.5 mm board with 1x 70μm Cu.

4) Specified R_{thJA} value is according to Jedec JESD51-3 at natural convection on FR4 1s0p board, 600mm²; the Product (Chip+Package) was simulated on a 76.2 x 114.3 x 1.5 mm board with 1x 70μm Cu.

5) Specified R_{thJA} value is according to Jedec JESD51-2,-5,-7 at natural convection on FR4 2s2p board; the Product (Chip+Package) was simulated on a 76.2 x 114.3 x 1.5 mm board with 2 inner copper layers (2 x 70μm Cu, 2 x 35μm Cu).

General Product Characteristics

- 6) Specified R_{thJA} value is according to Jedec JESD51-2,-5,-7 at natural convection on FR4 2s2p board with two thermal vias; the Product (Chip+Package) was simulated on a 76.2 x 114.3 x 1.5 mm board with 2 inner copper layers (2 x 70 μ m Cu, 2 x 35 μ m Cu). The diameter of the two vias are equal 0.3mm and have a plating of 25 μ m with a copper heatsink area of 3mm x 2mm). JEDEC51-7: The two plated-through hole vias should have a solder land of no less than 1.25 mm diameter with a drill hole of no less than 0.85 mm diameter.

5 Electrical Characteristics

Table 4 $V_S = 15V$ to $30V$; $T_j = -25^\circ C$ to $125^\circ C$; $V_{LS} = 0V$; all voltages with respect to ground, currents flowing into the device unless otherwise specified in chapter "Block Diagram and Terms".
Typical values at $V_S = 13.5V$, $T_j = 25^\circ C$; index "x" means "number of channel 1 to 8".

Parameter	Symbol	Values			Unit	Note / Test Condition	Number
		Min.	Typ.	Max.			
Powerstages							
NMOS ON Resistance	R_{DSONx}		150	200	m Ω	$I_{OUTx} = 0.5A$; $T_j = 25^\circ C$; $V_{LS} = V_{INx} = V_S = 15V$	5.0.1
NMOS ON Resistance	R_{DSONx}		270	320	m Ω	$I_{OUTx} = 0.5A$; $T_j = 125^\circ C$; $V_{LS} = V_{INx} = V_S = 15V$	5.0.2
Timings of Power Stages¹⁾							
Turn ON Time(to 90% of V_{outx}); L to H transition of V_{INx}	t_{ONx}		50	100	μs	$V_S = 15V$; $R_{Lx} = 47\Omega$	5.0.3
Turn OFF Time (to 10% of V_{outx}); H to L transition of V_{INx}	t_{OFFx}		75	150	μs	$V_S = 15V$; $R_{Lx} = 47\Omega$	5.0.4
ON-Slew Rate (10 to 30% of V_{outx}); L to H transition of V_{INx}	SR_{ONx}		1.0	2.0	V / μs	$V_S = 15V$; $R_{Lx} = 47\Omega$	5.0.5
OFF-Slew Rate (70 to 40% of V_{outx}); H to L transition of V_{INx}	SR_{OFFx}		1.0	2.0	V / μs	$V_S = 15V$; $R_{Lx} = 47\Omega$	5.0.6
Under voltage lockout (charge pump start-stop-restart)							
Supply undervoltage; charge pump stop voltage	V_{SUV}	7.0		10.5	V	V_S decreasing	5.0.7
Supply startup voltage; Charge pump restart voltage	V_{SSU}			11.0	V	V_S increasing	5.0.8
Supply undervoltage hysteresis	V_{SUHY}		0.5		V	$V_{SUHY} = V_{SSU} - V_{SUV}$	5.0.9
Current consumption							
Operating current	I_{GND}		5	12	mA	$V_{INx} = V_{LS} = V_S = 30V$	5.0.10
Standby current	I_{SSTB}		50	150	μA	$V_{INx} = 6.5V$; $V_{LS} = V_S = 15V$; $V_{OUTx} = 0V$	5.0.11
Output leakage current	I_{OUTLKx}		5	10	μA	$V_{INx} = 6.5V$; $V_{LS} = V_S = 15V$ $V_{OUTx} = 0V$	5.0.12
Protection functions²⁾							
Initial peak short circuit current limit	I_{LSCPx}			1.9	A	$T_j = -25^\circ C$ $V_{LS} = V_S = V_{INx} = 30V$; $t_{mx} = 700\mu s$	5.0.13

Electrical Characteristics

Table 4 $V_S = 15V$ to $30V$; $T_j = -25^\circ C$ to $125^\circ C$; $V_{LS} = 0V$; all voltages with respect to ground, currents flowing into the device unless otherwise specified in chapter “Block Diagram and Terms”.
Typical values at $V_S = 13.5V$, $T_j = 25^\circ C$; index “x” means “number of channel 1 to 8”.

Parameter	Symbol	Values			Unit	Note / Test Condition	Number
		Min.	Typ.	Max.			
Initial peak short circuit current limit	I_{LSCPx}		1.4		A	$T_j = 25^\circ C$ $V_{LS} = V_S = V_{INx} = 30V$; $t_{mx} = 700\mu s$	5.0.14
Initial peak short circuit current limit	I_{LSCPx}	0.7			A	$T_j = 125^\circ C$ $V_{LS} = V_S = V_{INx} = 30V$; $t_{mx} = 700\mu s$	5.0.15
Repetitive short circuit current limit $T_j = T_{jTrip}$; see timing diagrams	I_{LSCRx}		1.1		A	$V_{INx} = 5.0V$;	5.0.16
Output clamp at $V_{OUTx} = V_S - V_{DSCLx}$ (inductive load switch off)	V_{DSCLx}	47	53	60	V	$I_{OUTx} = 4mA$; $V_{LS} = 30V$	5.0.17
Oversvoltage protection	V_{SAZ}	47			V	$I_S = 4mA$ $V_{LS} = 30V$	5.0.18
Thermal overload trip temperature	T_{jTrip}	135			$^\circ C$		5.0.19
Thermal hysteresis	T_{HYS}		10		K		5.0.20
Reverse Battery³⁾							
Continuous reverse battery voltage	V_{SREV}			45	V		5.0.21
Forward voltage of the drain-source reverse diode	V_{FDSx}			1.2	V	$I_{FDS} = 1.25A$; $V_{IN} = 0V$	5.0.22
Input interface; pin INx							
Input turn-ON threshold voltage	V_{INONx}	2.2			V	LS = L; CMOS mode	5.0.23
Input turn-OFF threshold voltage	V_{INOFFx}			0.8	V	LS = L; CMOS mode	5.0.24
Input turn-ON threshold voltage	V_{INONx}	$V_{ST} / 2 + 1$			V	LS = H or open; ratiometric mode	5.0.25
Input turn-OFF threshold voltage	V_{INOFFx}			$V_{ST} / 2 - 1$	V	LS = H or open; ratiometric mode	5.0.26
Input threshold hysteresis	V_{INHYSx}		0.3		V		5.0.27
Off state input current	I_{INOFFx}	8			μA	LS = L; CMOS mode $V_{INx} = 0.8V$	5.0.28
On state input current	I_{INONx}			70	μA	LS = L; CMOS mode $V_{INx} = 2.2V$	5.0.29
Off state input current	I_{INOFFx}	80			μA	LS = H or open; ratiometric mode $V_{INx} = V_{ST} / 2 - 1$	5.0.30
On state input current	I_{INONx}			260	μA	LS = H or open; ratiometric mode $V_{INx} = V_{ST} / 2 + 1$	5.0.31
Input switch ON delay time	t_{dON}	150	340		μs		5.0.32

Electrical Characteristics

Table 4 $V_S = 15V$ to $30V$; $T_j = -25^\circ C$ to $125^\circ C$; $V_{LS} = 0V$; all voltages with respect to ground, currents flowing into the device unless otherwise specified in chapter “Block Diagram and Terms”. Typical values at $V_S = 13.5V$, $T_j = 25^\circ C$; index “x” means “number of channel 1 to 8”.

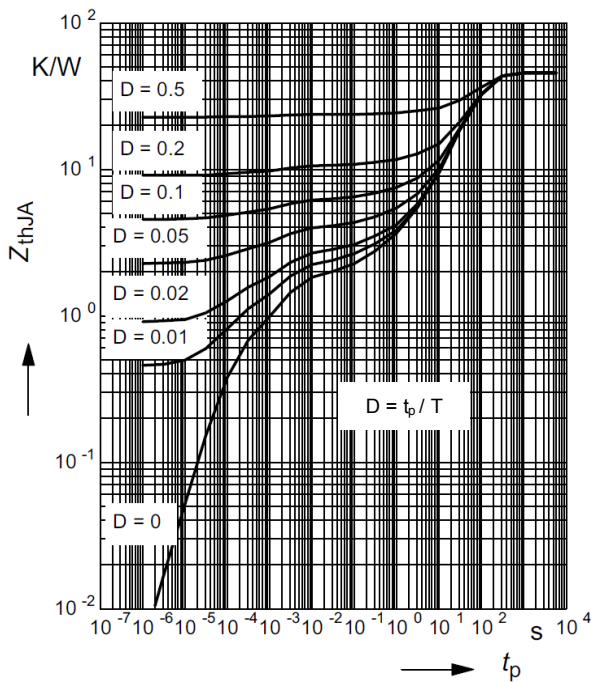
Parameter	Symbol	Values			Unit	Note / Test Condition	Number
		Min.	Typ.	Max.			
Input resistance	R_{INx}	2	3	5	k Ω		5.0.33
Input interface; pin LS							
Pull down resistance	R_{LS}	300	800		k Ω	$V_{LS} = V_S = 15V$	5.0.34
Status output (current source); pin ST							
Status output current	I_{ST}	2	3	4	mA	$V_{ST} = 5V$ $V_{LS} = V_S = 30V$	5.0.35
Status leakage current	I_{STLK}	- 2			μA	$V_{ST} = 0V$; $T_j < 135^\circ C$; $V_{LS} = V_S = 30V$	5.0.36

- 1) Timing values only with high slewrates input signal; otherwise slower.
- 2) Integrated protection functions are designed to prevent IC destruction under fault conditions described in the data sheet. Fault conditions are considered as “outside” normal operating range. Protection functions are not designed for continuous repetitive operation.
- 3) Requires a 150W resistor in GND connection. The reverse load current through the intrinsic drain-source diode of the power-M

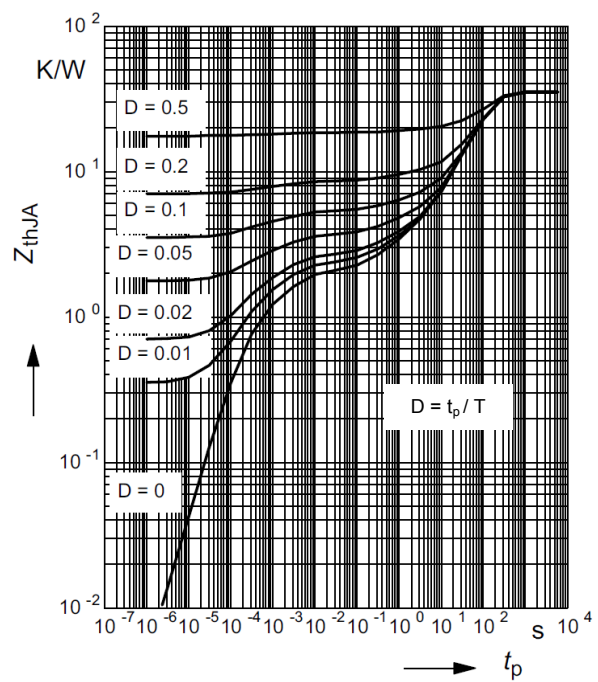
6 Typical Performance Graphs

Typical Characteristics

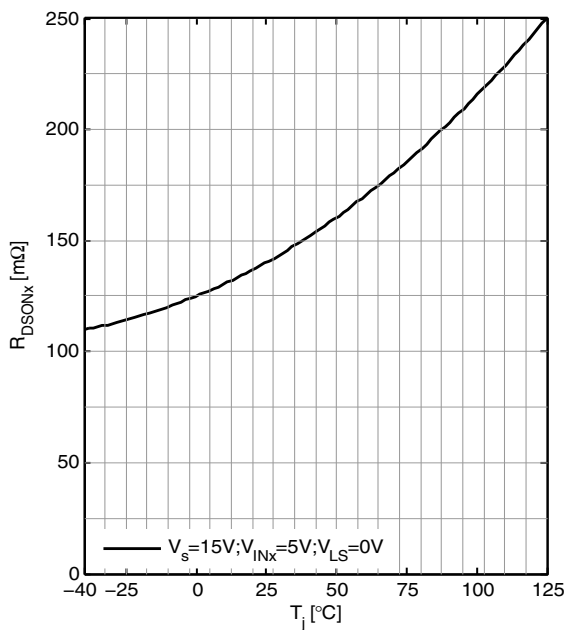
Transient Thermal Impedance Z_{thJA} versus Pulse Time t_p @ 6cm² heatsink area



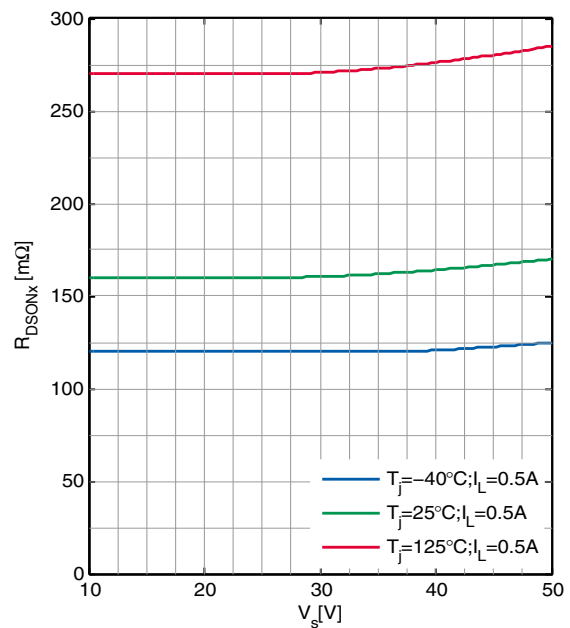
Transient Thermal Impedance Z_{thJA} versus Pulse Time t_p @ min footprint



On-Resistance $R_{DS(on)}$ versus Junction Temperature T_j

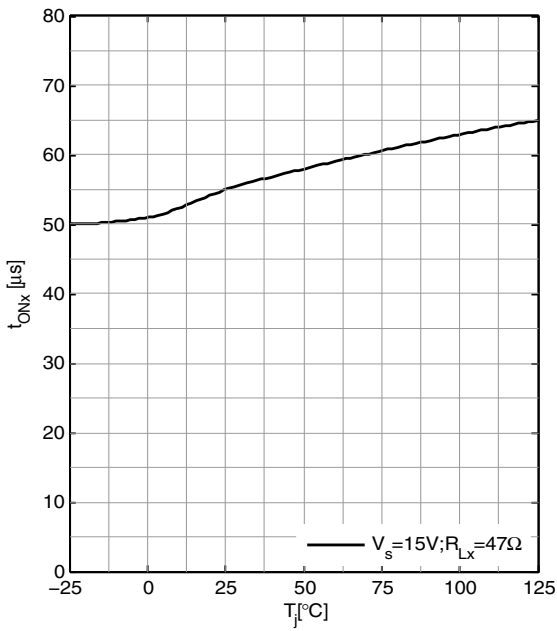


On-Resistance $R_{DS(on)}$ versus Supply Voltage V_s

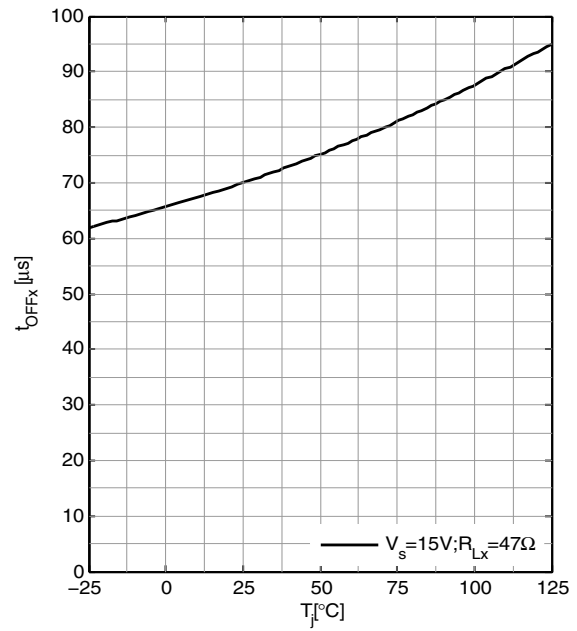


Typical Characteristics

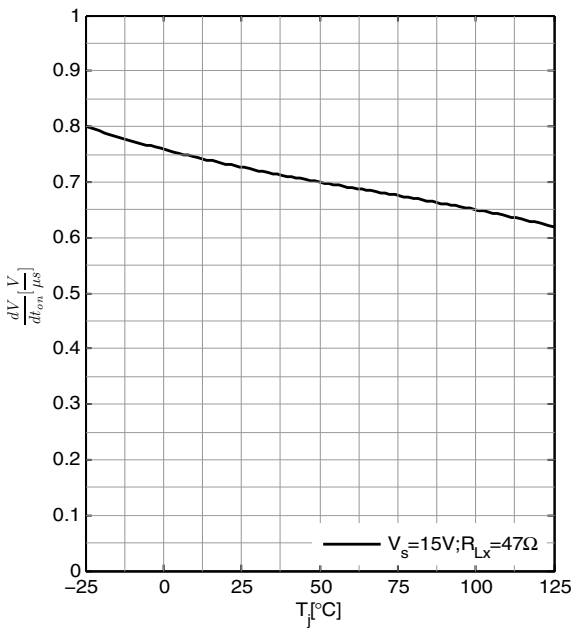
Switch ON Time t_{ONx} versus Junction Temperature T_j



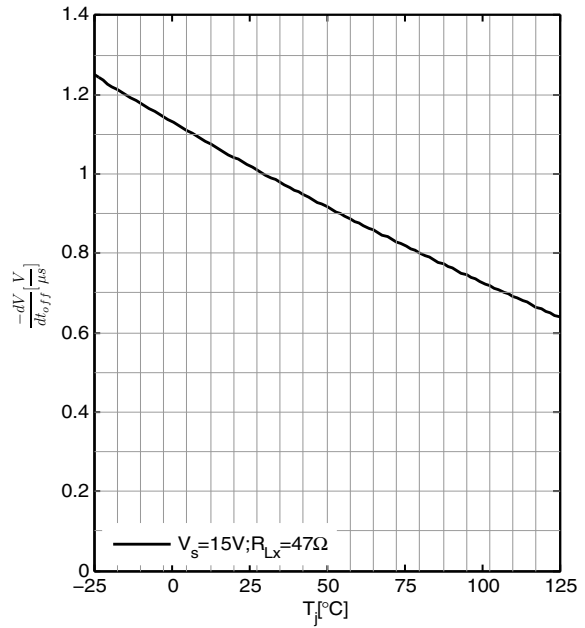
Switch OFF Time t_{OFFx} versus Junction Temperature T_j



ON Slewrate SR_{ONx} versus Junction Temperature T_j



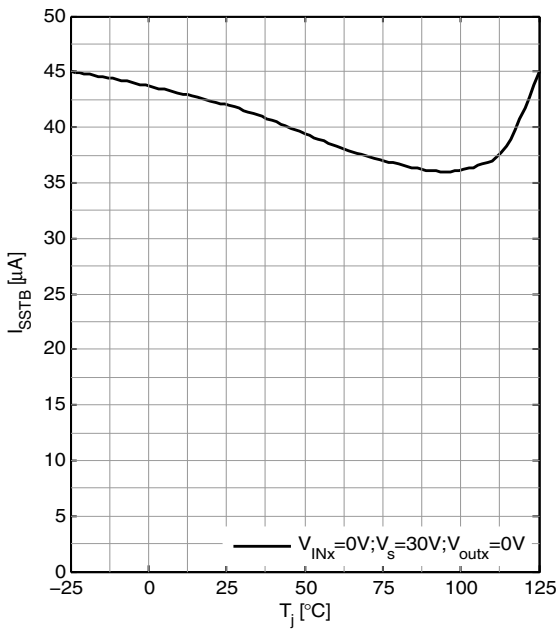
OFF Slewrate SR_{OFFx} versus Junction Temperature T_j



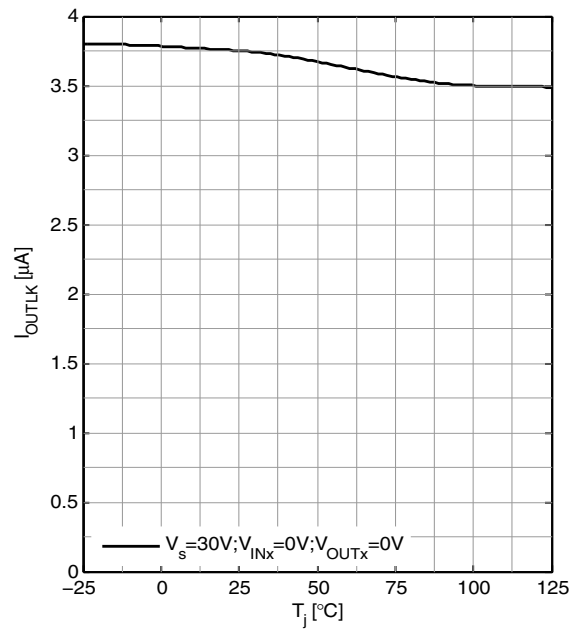
Typical Performance Graphs

Typical Characteristics

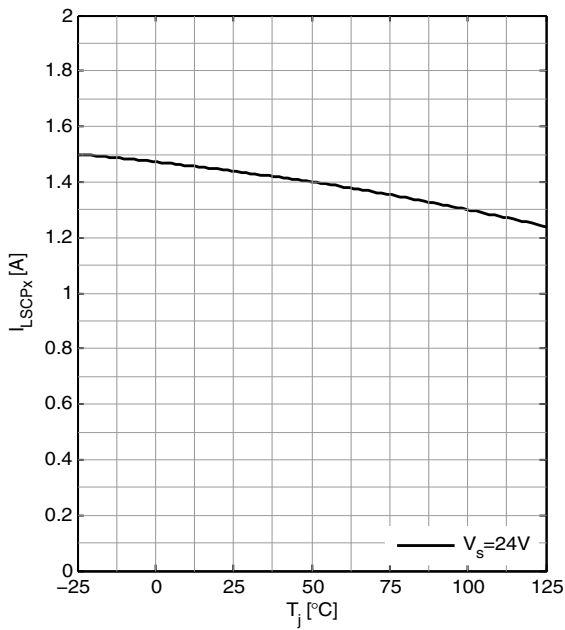
Standby Current I_{SSTB} versus Junction Temperature T_j



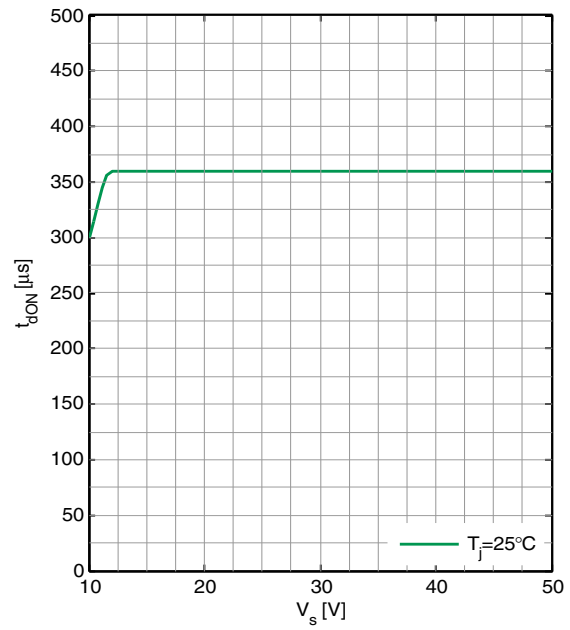
Output Leakage current I_{OUTLKx} versus Junction Temperature T_j



Initial Peak Short Circuit Current Limit I_{LSCPx} versus Junction Temperature T_j

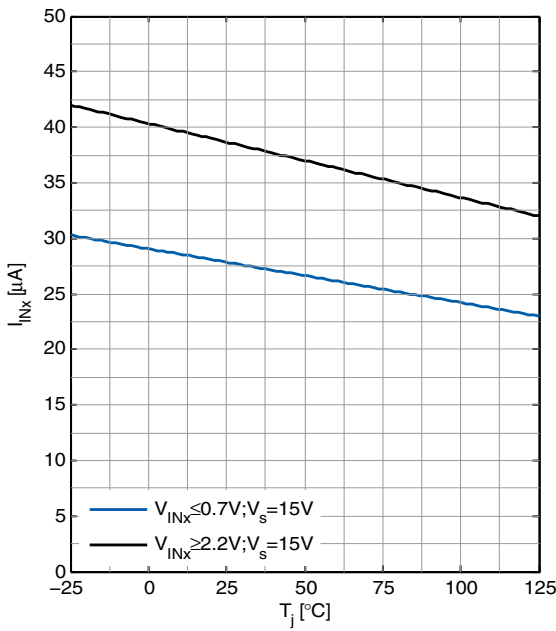


Initial Short Circuit Shutdown time t_{dON} versus Junction Temperature T_j

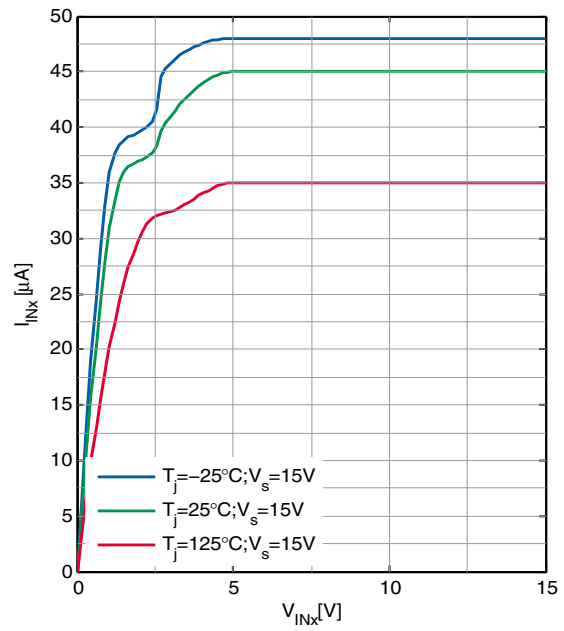


Typical Characteristics

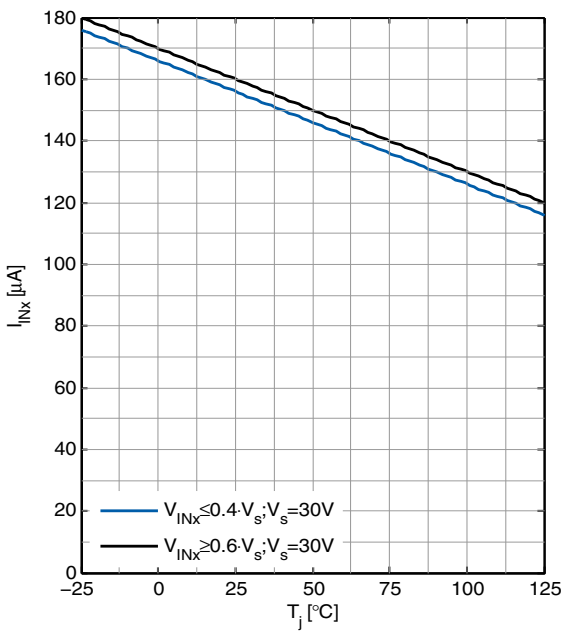
Input Current Consumption I_{INx} versus Junction Temperature T_j



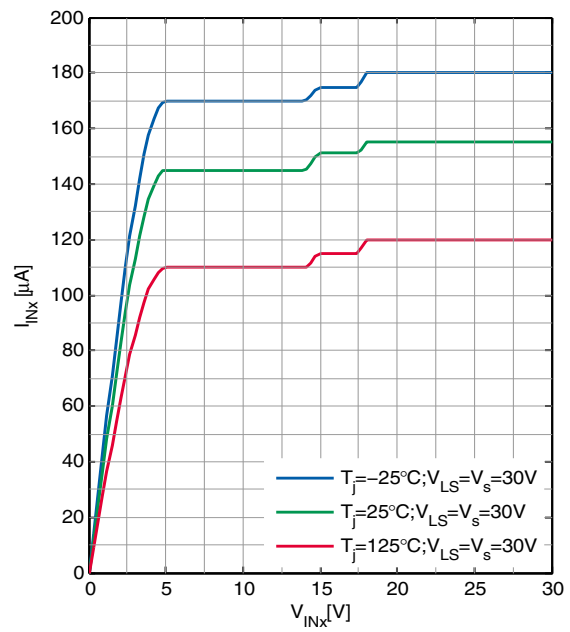
Input Current Consumption I_{INx} versus Input voltage V_{IN}



Input Current Consumption I_{INx} versus Junction Temperature T_j

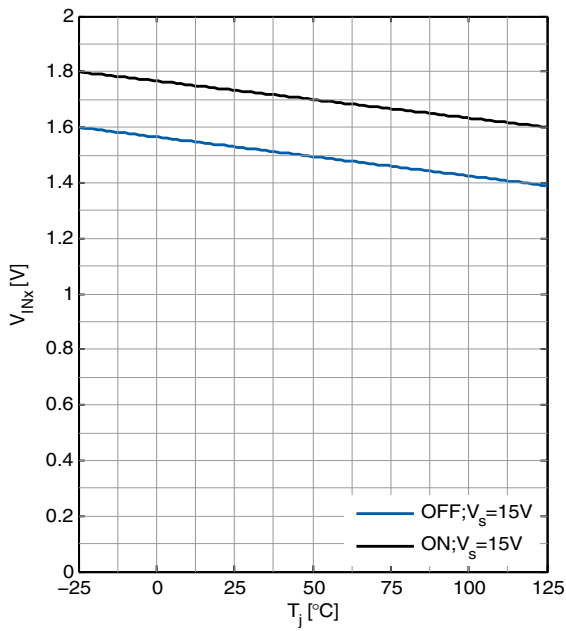


Input Current Consumption I_{INx} versus Input voltage V_{IN}

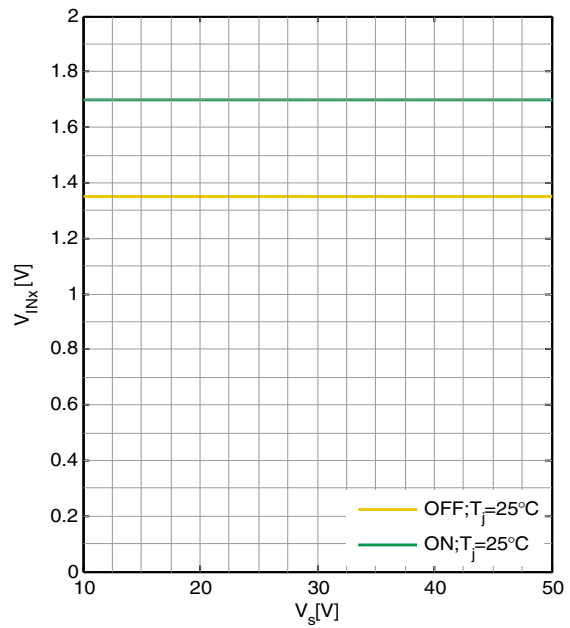


Typical Characteristics

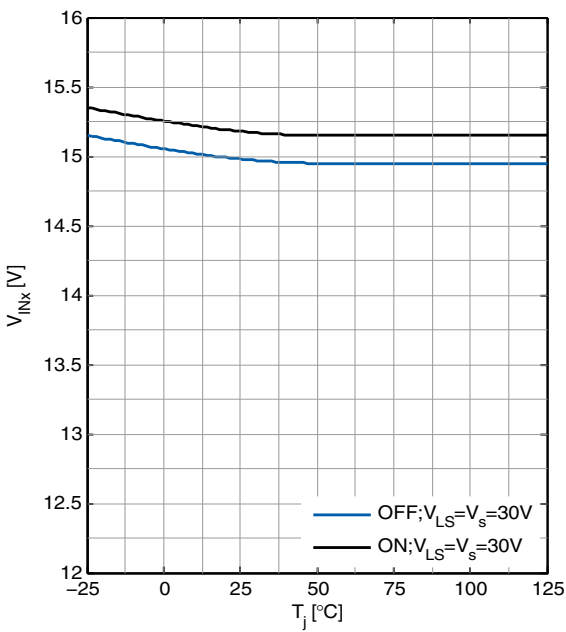
Input Threshold voltage $V_{INH,Lx}$ versus Junction Temperature T_j



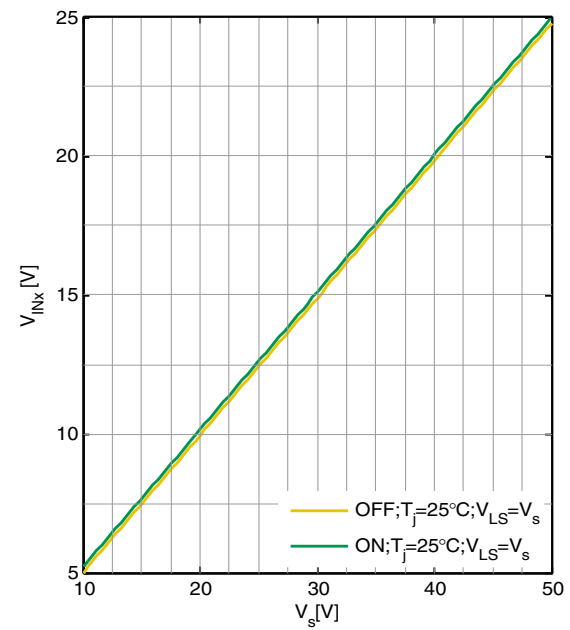
Input Threshold voltage $V_{INH,Lx}$ versus Supply Voltage V_s



Input Threshold voltage $V_{INH,Lx}$ versus Junction Temperature T_j

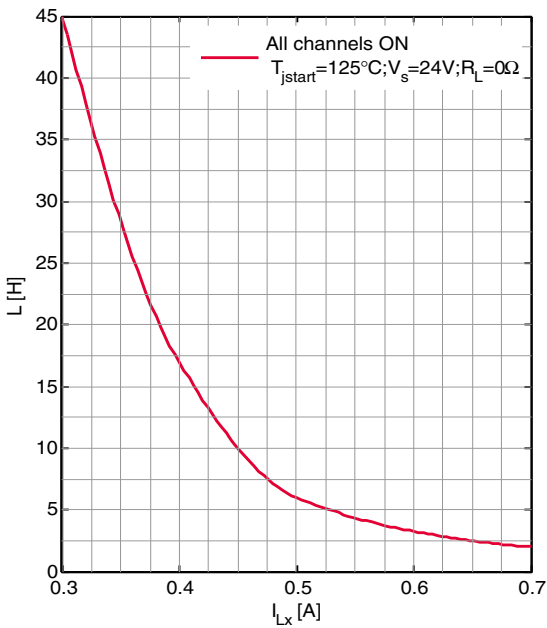


Input Threshold voltage $V_{INH,Lx}$ versus Supply Voltage V_s

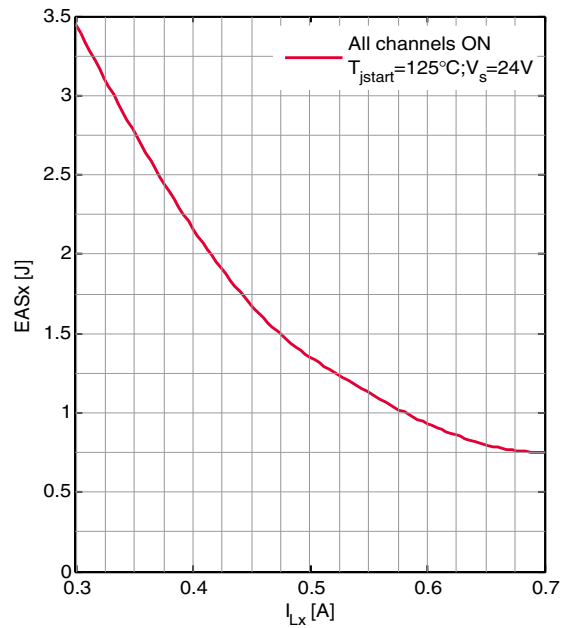


Typical Characteristics

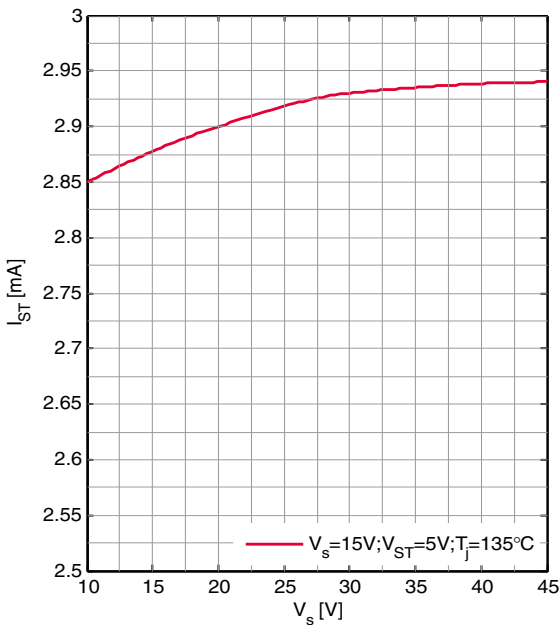
Max. allowable Load Inductance L versus Load current I_{Lx}



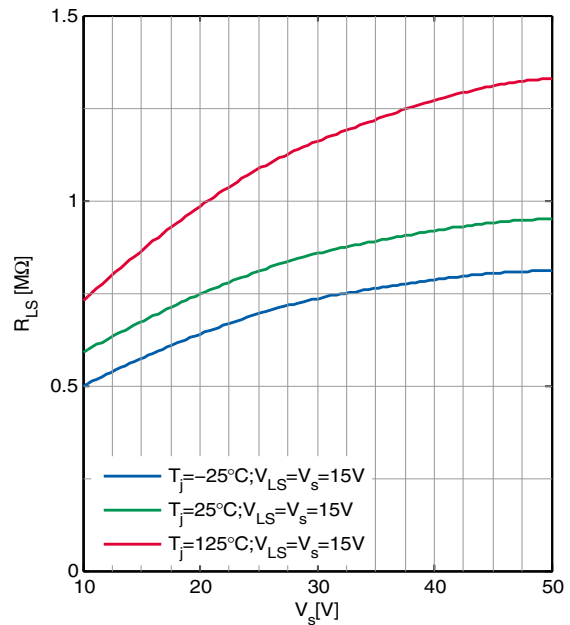
Max. allowable Inductive single pulse Switch-off Energy E_{AS} versus Load current I_{Lx}



Status Output Current I_{ST} versus Supply Voltage V_s



Internal pull down Resistor R_{LS} at pin LS versus Supply Voltage V_s



7 Application Information

7.1 Application Diagram

The following information is given as a hint for the implementation of the device only and shall not be regarded as a description or warranty for a certain functionality, condition or quality of the device.

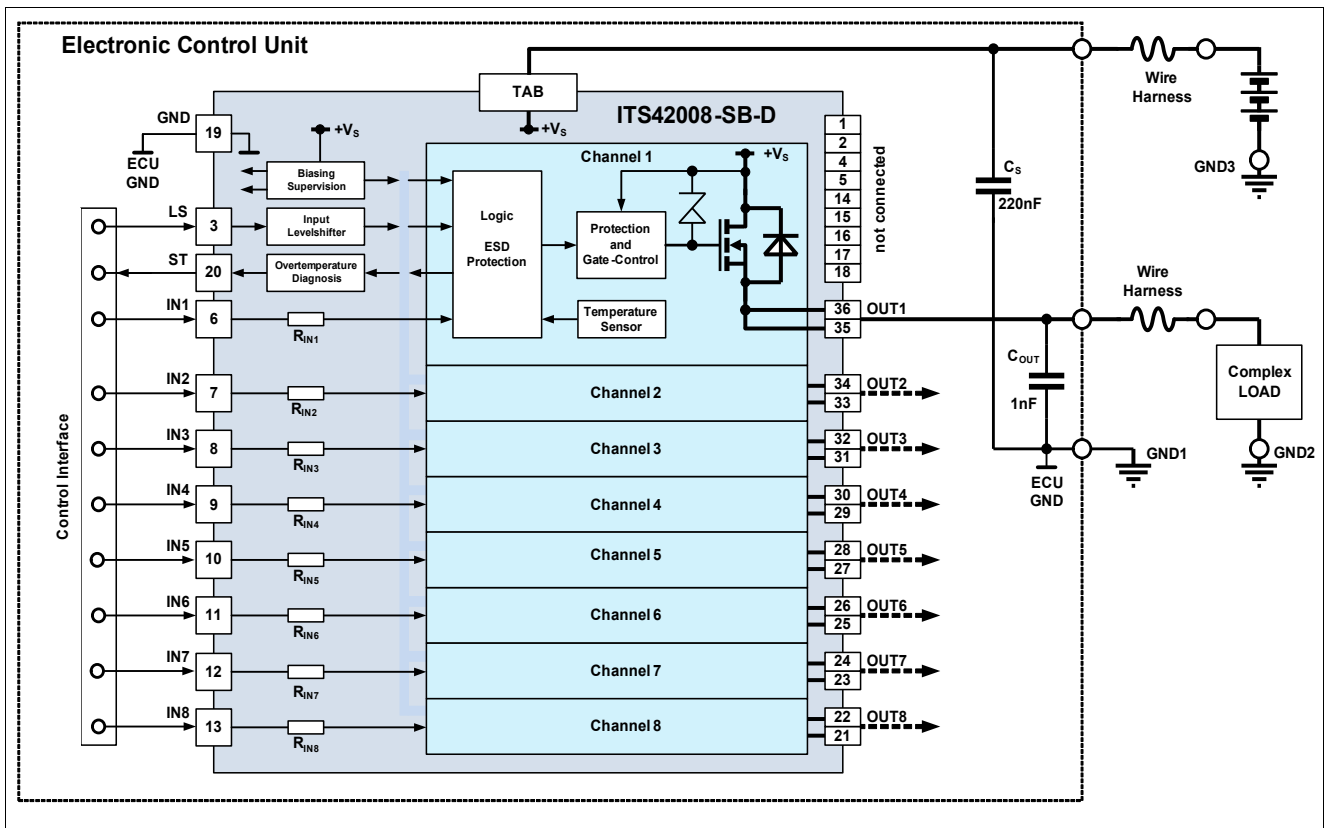


Figure 4 Application Diagram

The ITS42008-SB-D can be connected directly to the battery of a supply network. It is recommended to place a ceramic capacitor (e.g. $C_S = 220\text{nF}$) between supply and GND of the ECU to avoid line disturbances. Wire harness inductors/resistors are sketched in the application circuit above.

The complex load (resistive, capacitive or inductive) must be connected to the output pin OUT.

A built-in current limit protects the device against destruction.

The ITS42008-SB-D can be switched on and off with ground related standard logic signal at pin IN_x if the level programming pin LS is set to L.

If LS is connected to the supply voltage V_S the input threshold is set to $\sim 50\%$ of V_S .

To achieve a higher robustness it is recommended to connect the LS pin to GND or Supply voltage.

If the pin LS is left open the thresholds are automatically set to CMOS level caused by an internal high ohmic pull down resistor to GND.

In standby mode (all inputs $IN_x=L$) the ITS42008-SB-D is deactivated with very low current consumption.

The output voltage slope is controlled during on and off transition to minimize emissions. Only a small ceramic capacitor $C_{OUT}=1\text{nF}$ is recommended to attenuate RF noise.

In the following chapters the main features, some typical waveforms and the protection behaviour of the ITS42008-SB-D is shown. For further details please refer to application notes on the Infineon homepage.

7.2 Diagnosis Description

For diagnostic purpose the device provides a digital output pin ST in order to indicate fault conditions.

The status output (ST) of the ITS42008-SB-D is a high voltage current source.

In “normal” operation mode (no overtemperature) the current source is switched OFF. An internal pull down resistor pulls pin ST down to GND. In case of overtemperature the current source is activated. To limit the voltage at pin ST an external zenerdiode to GND must be added.

The following truth table defines the status output.

Table 5 Truth Table of diagnosis feature

Device Operation	INx	OUTx	current source at ST	Comment
Normal Operation	L	L	OFF	
Normal Operation	H	H	OFF	
Short circuit to GND	L	L	OFF	
Short circuit to GND	H	L	OFF	
Undervoltage at V_S	L	L	OFF	
Undervoltage at V_S	H	L	OFF	
Overtemperature	L	L	OFF	
Overtemperature	H	L	ON	toggeling with restart

7.3 Special Feature Description

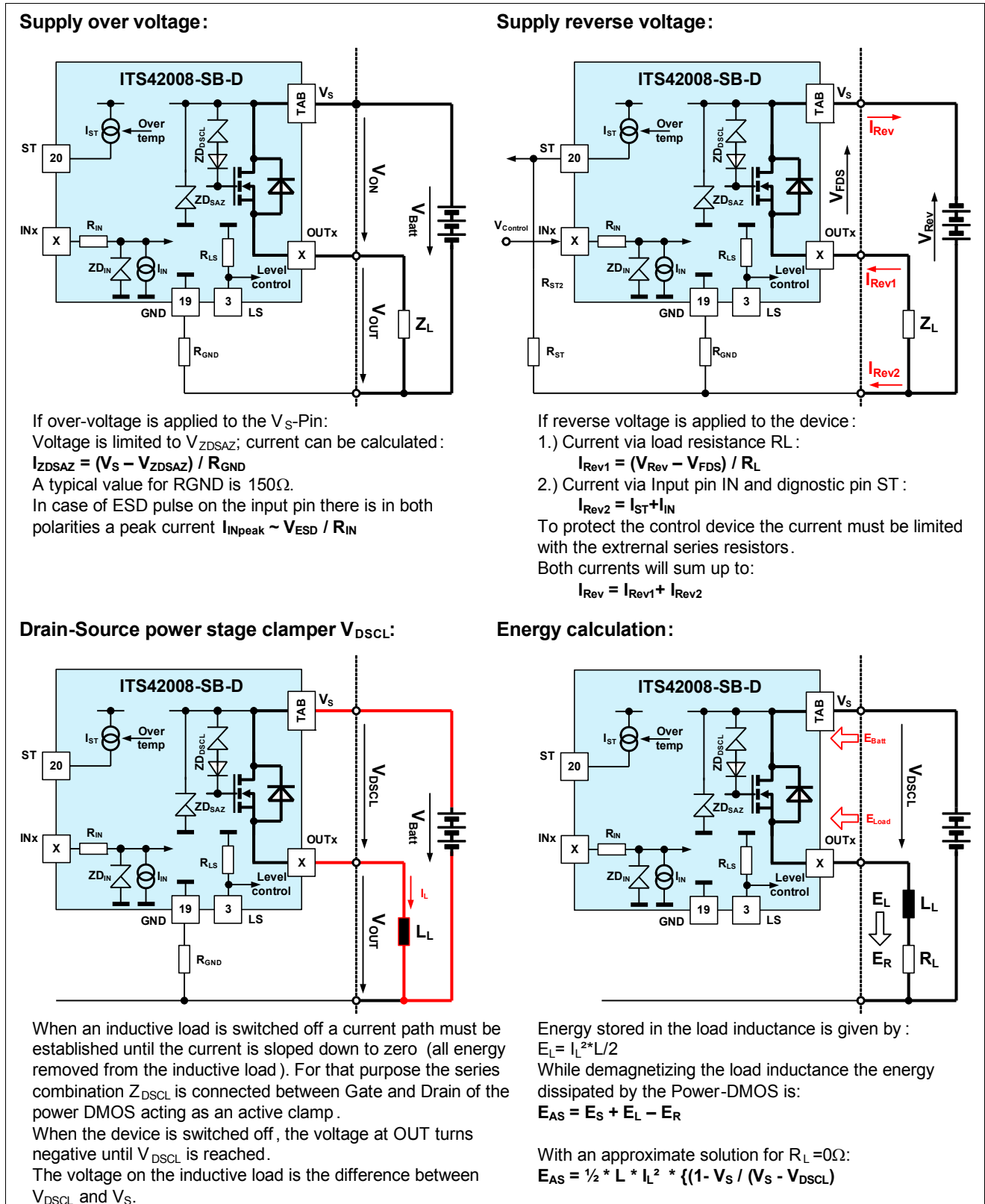


Figure 5 Special feature description

7.4 Typical Application Waveforms

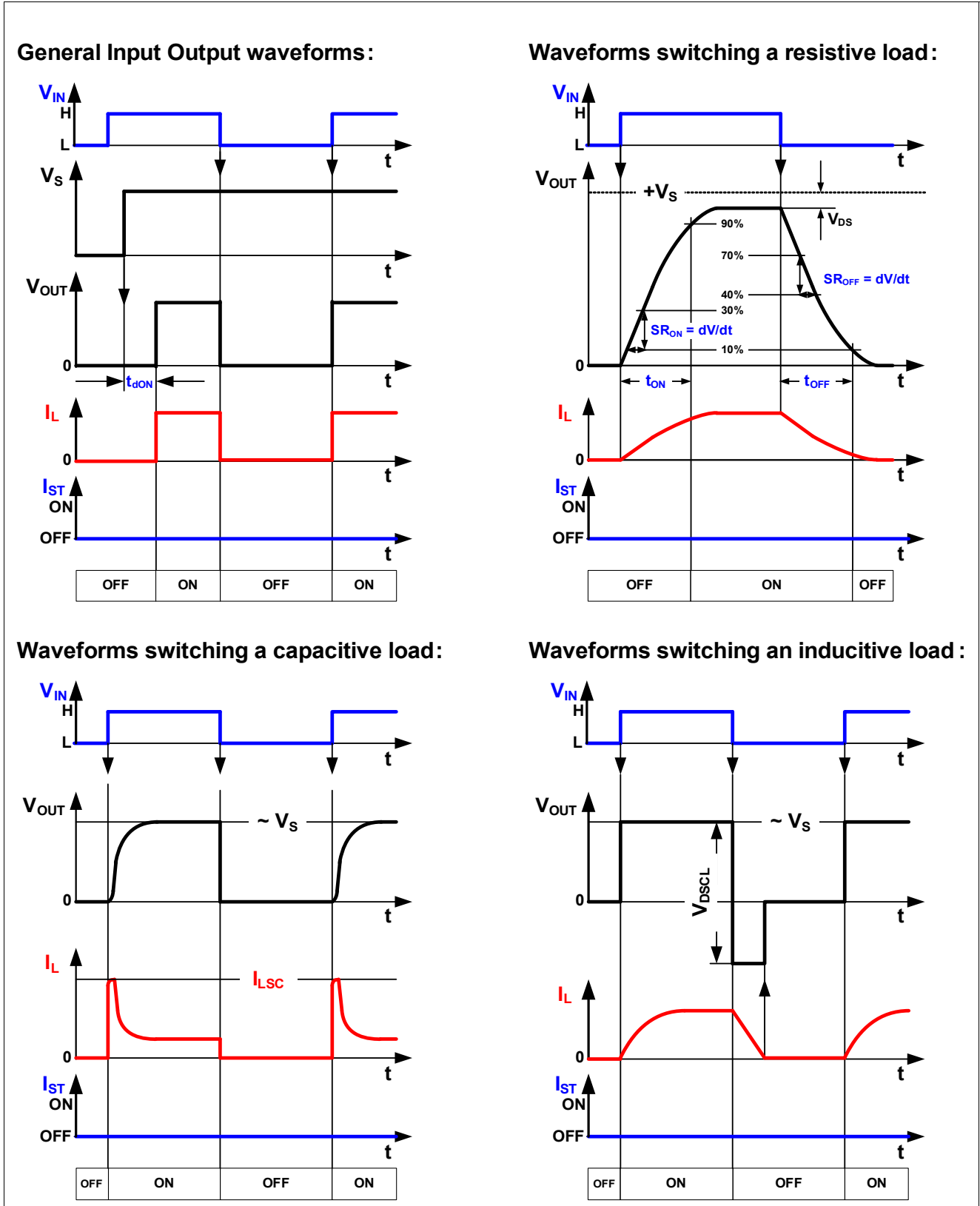


Figure 6 Typical application waveforms of the ITS42008-SB-D

7.5 Protection Behavior

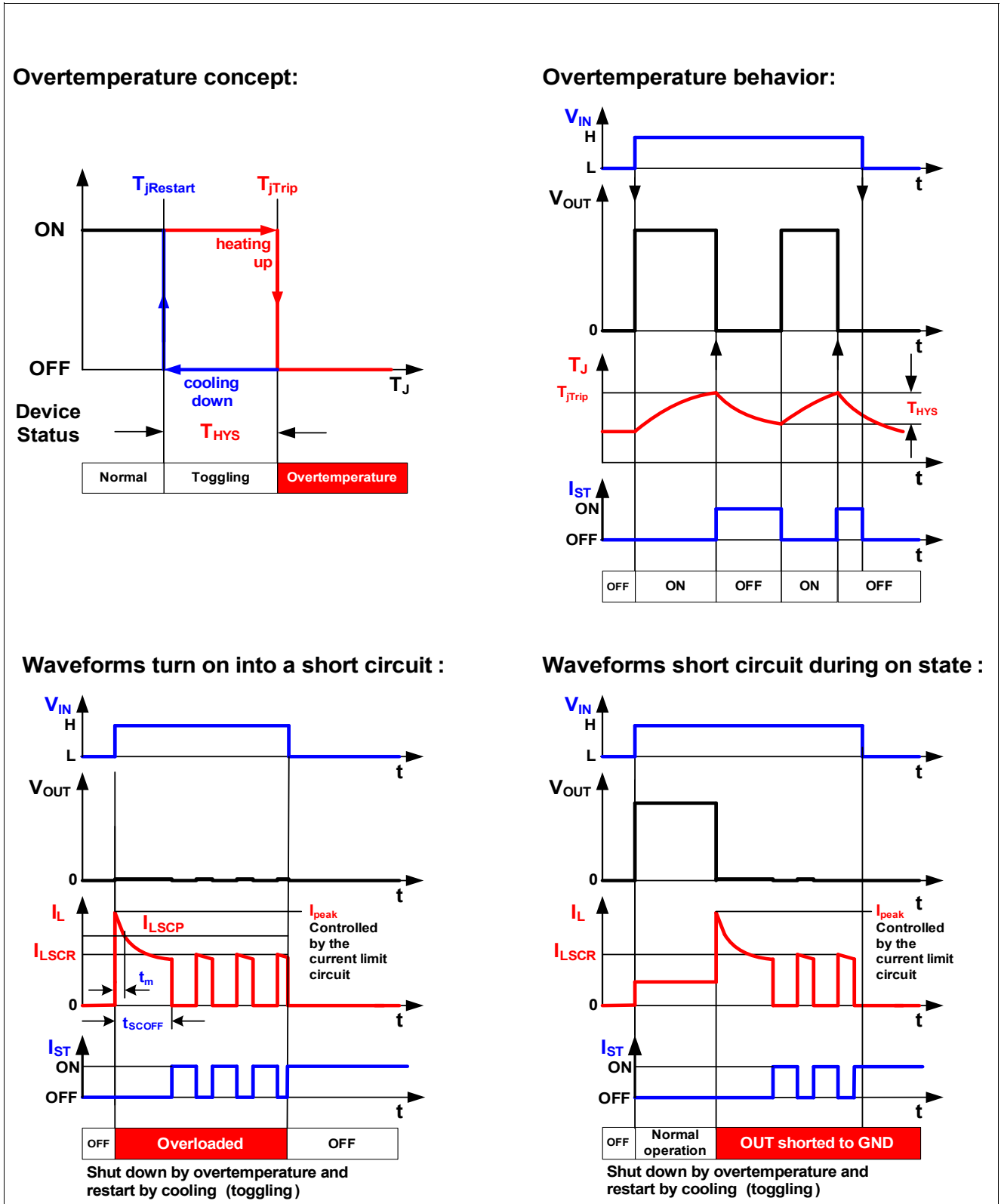


Figure 7 Protective behaviour of the ITS42008-SB-D

8 Package outlines and footprint

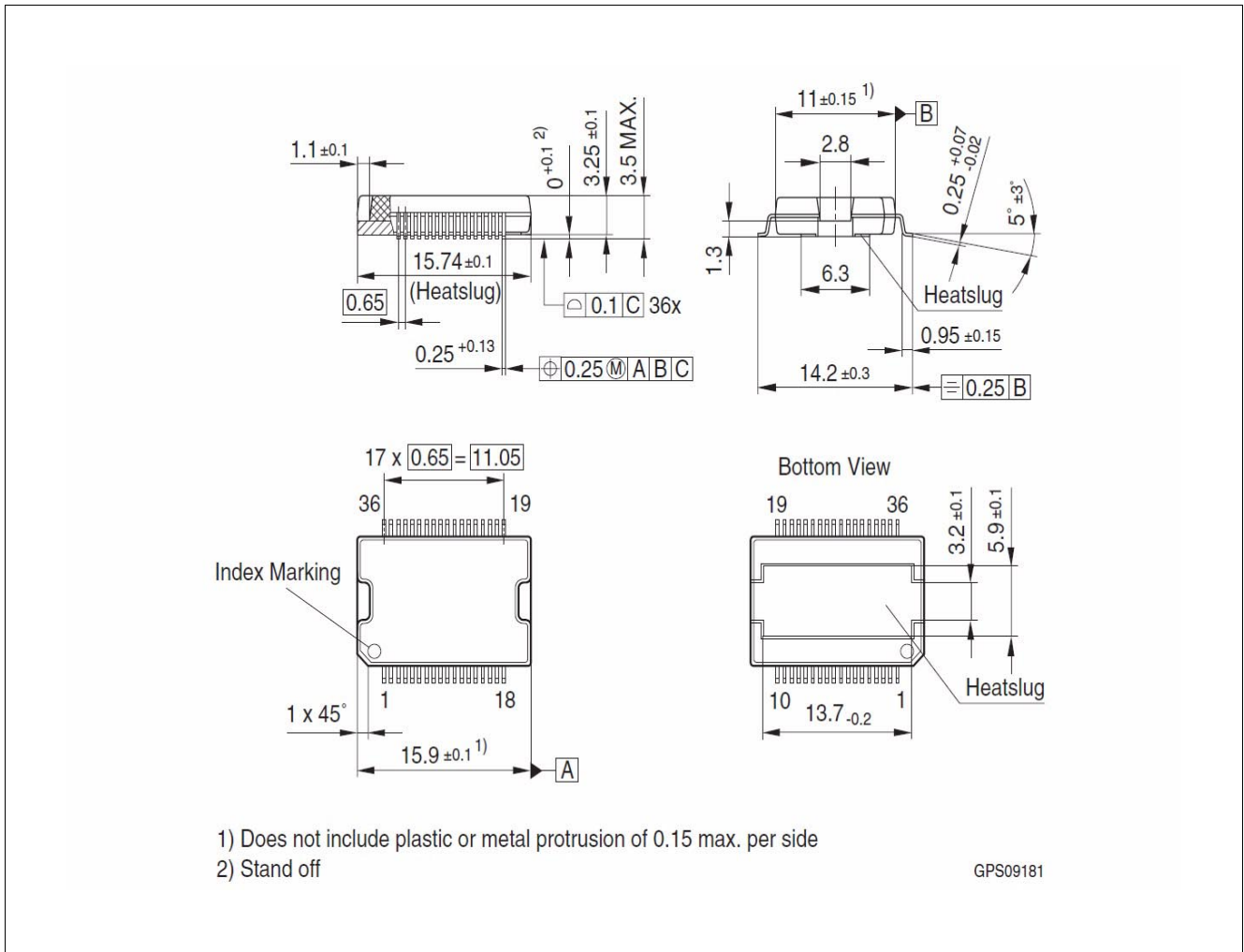


Figure 8 PG-DSO-36 (Plastic Dual Small Outline Package, RoHS-Compliant)

To meet the world-wide customer requirements for environmentally friendly products and to be compliant with government regulations the device is available as a green product. Green products are RoHS-Compliant (i.e Pb-free finish on leads and suitable for Pb-free soldering according to IPC/JEDEC J-STD-020

9 Revision History

Revision	Date	Changes
v 1.01	14-05-19	Datasheet release Editorial Change on Page 11 Temperature conditions for lines 5.0.14 and 5.0.15 were corrected to 25°C and 125°C respectively
v 1.0	12-09-01	Datasheet release

Trademarks of Infineon Technologies AG

AURIX™, C166™, CanPAK™, CIPOS™, CIPURSE™, EconoPACK™, CoolMOS™, CoolSET™, CORECONTROL™, CROSSAVE™, DAVE™, DI-POL™, EasyPIM™, EconoBRIDGE™, EconoDUAL™, EconoPIM™, EconoPACK™, EiceDRIVER™, eupec™, FCOS™, HITFET™, HybridPACK™, I²RF™, ISOFACE™, IsoPACK™, MIPAQ™, ModSTACK™, my-d™, NovalithIC™, OptiMOS™, ORIGA™, POWERCODE™, PRIMARION™, PrimePACK™, PrimeSTACK™, PRO-SIL™, PROFET™, RASIC™, ReverSave™, SatRIC™, SIEGET™, SINDRION™, SIPMOS™, SmartLEWIS™, SOLID FLASH™, TEMPFET™, thinQ!™, TRENCHSTOP™, TriCore™.

Other Trademarks

Advance Design System™ (ADS) of Agilent Technologies, AMBA™, ARM™, MULTI-ICE™, KEIL™, PRIMECELL™, REALVIEW™, THUMB™, μVision™ of ARM Limited, UK. AUTOSAR™ is licensed by AUTOSAR development partnership. Bluetooth™ of Bluetooth SIG Inc. CAT-iq™ of DECT Forum. COLOSSUS™, FirstGPS™ of Trimble Navigation Ltd. EMV™ of EMVCo, LLC (Visa Holdings Inc.). EPCOS™ of Epcos AG. FLEXGO™ of Microsoft Corporation. FlexRay™ is licensed by FlexRay Consortium. HYPERTERMINAL™ of Hilgraeve Incorporated. IEC™ of Commission Electrotechnique Internationale. IrDA™ of Infrared Data Association Corporation. ISO™ of INTERNATIONAL ORGANIZATION FOR STANDARDIZATION. MATLAB™ of MathWorks, Inc. MAXIM™ of Maxim Integrated Products, Inc. MICROTEC™, NUCLEUS™ of Mentor Graphics Corporation. MIPI™ of MIPI Alliance, Inc. MIPS™ of MIPS Technologies, Inc., USA. muRata™ of MURATA MANUFACTURING CO., MICROWAVE OFFICE™ (MWO) of Applied Wave Research Inc., OmniVision™ of OmniVision Technologies, Inc. Openwave™ Openwave Systems Inc. RED HAT™ Red Hat, Inc. RFMD™ RF Micro Devices, Inc. SIRIUS™ of Sirius Satellite Radio Inc. SOLARIS™ of Sun Microsystems, Inc. SPANSION™ of Spansion LLC Ltd. Symbian™ of Symbian Software Limited. TAIYO YUDEN™ of Taiyo Yuden Co. TEAKLITE™ of CEVA, Inc. TEKTRONIX™ of Tektronix Inc. TOKO™ of TOKO KABUSHIKI KAISHA TA. UNIX™ of X/Open Company Limited. VERILOG™, PALLADIUM™ of Cadence Design Systems, Inc. VLYNQ™ of Texas Instruments Incorporated. VXWORKS™, WIND RIVER™ of WIND RIVER SYSTEMS, INC. ZETEX™ of Diodes Zetex Limited.

Last Trademarks Update 2011-11-11

Edition 2014-05-19

**Published by
Infineon Technologies AG
81726 Munich, Germany**

**© 2014-05-19 Infineon Technologies AG
All Rights Reserved.**

Legal Disclaimer

The information given in this document shall in no event be regarded as a guarantee of conditions or characteristics. With respect to any examples or hints given herein, any typical values stated herein and/or any information regarding the application of the device, Infineon Technologies hereby disclaims any and all warranties and liabilities of any kind, including without limitation, warranties of non-infringement of intellectual property rights of any third party.

Information

For further information on technology, delivery terms and conditions and prices, please contact the nearest Infineon Technologies Office (www.infineon.com).

Warnings

Due to technical requirements, components may contain dangerous substances. For information on the types in question, please contact the nearest Infineon Technologies Office.

The Infineon Technologies component described in this Data Sheet may be used in life-support devices or systems and/or automotive, aviation and aerospace applications or systems only with the express written approval of Infineon Technologies, if a failure of such components can reasonably be expected to cause the failure of that life-support automotive, aviation and aerospace device or system or to affect the safety or effectiveness of that device or system. Life support devices or systems are intended to be implanted in the human body or to support and/or maintain and sustain and/or protect human life. If they fail, it is reasonable to assume that the health of the user or other persons may be endangered.

Mouser Electronics

Authorized Distributor

Click to View Pricing, Inventory, Delivery & Lifecycle Information:

[Infineon:](#)

[ITS42008SBDAUMA1](#) [ITS42008-SB-D](#)