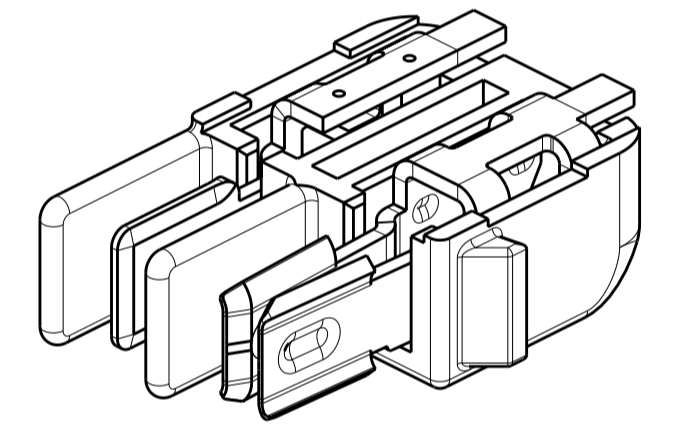
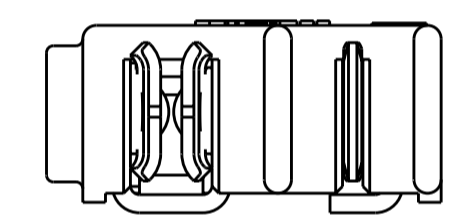
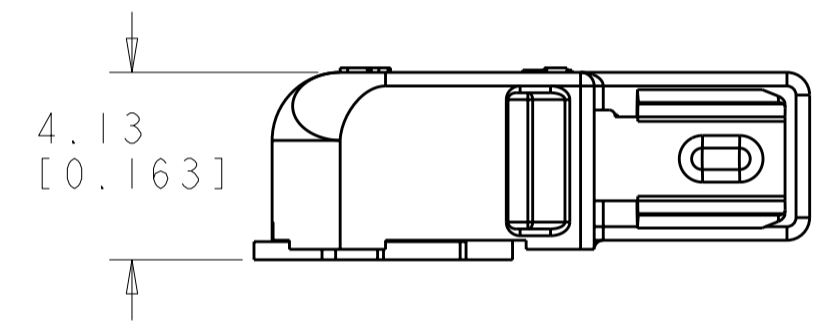
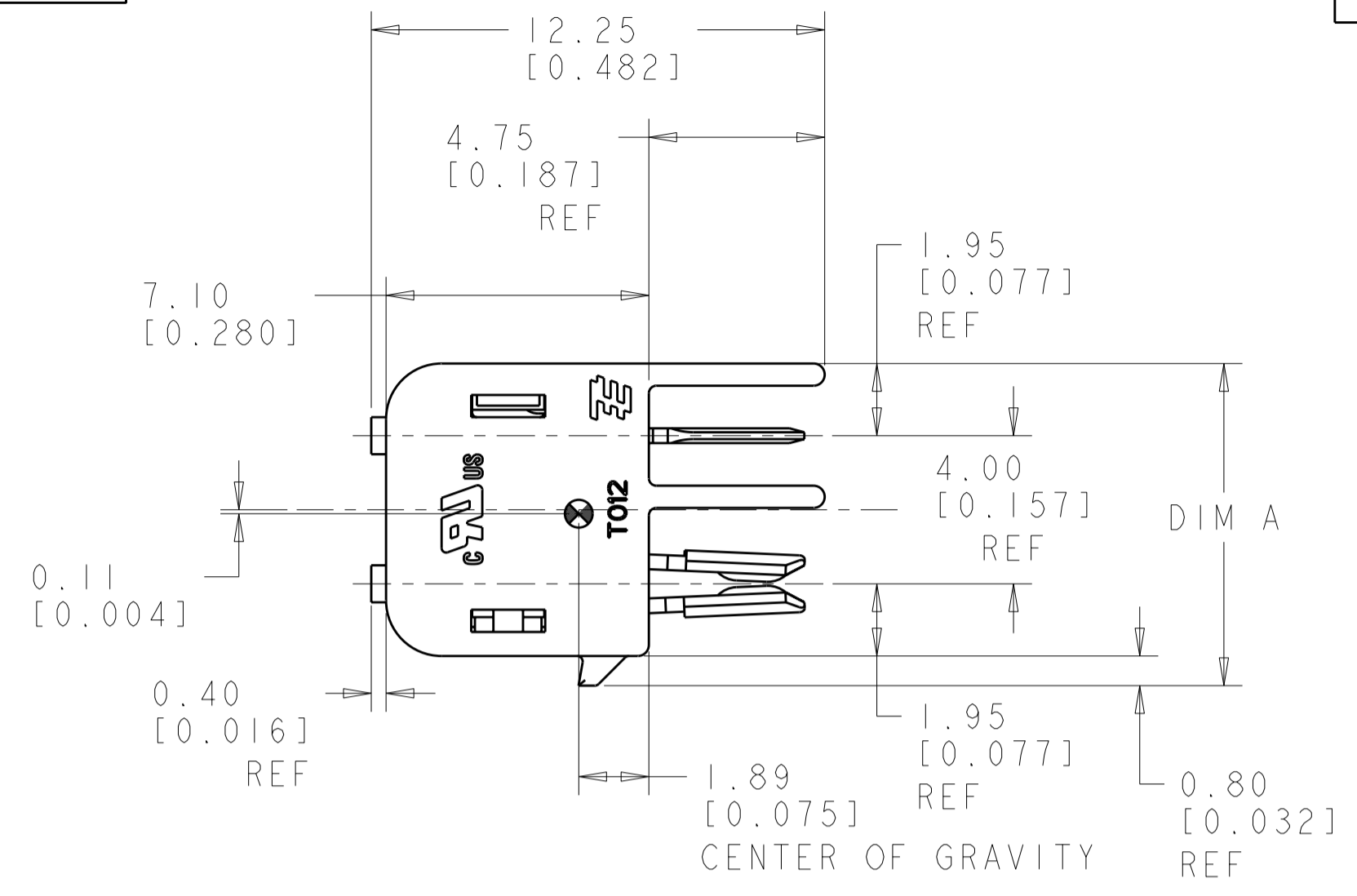


THIS DRAWING IS UNPUBLISHED. RELEASED FOR PUBLICATION 20
 © COPYRIGHT 20 BY TYCO ELECTRONICS CORPORATION. ALL RIGHTS RESERVED.

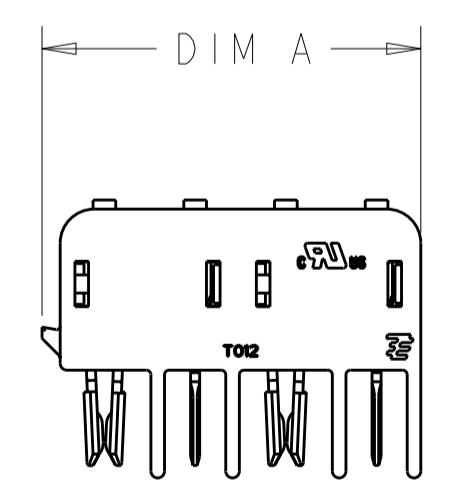
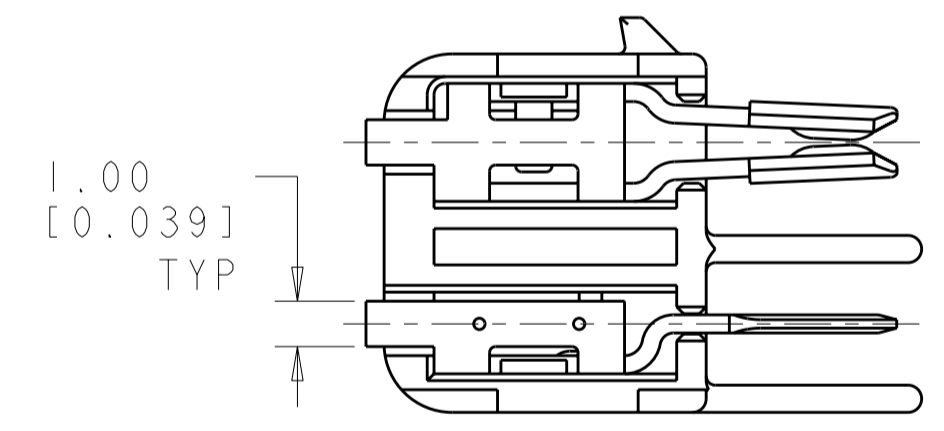
| REVISIONS | | | | |
|-----------|-----|---------------------------|-----------|--------|
| P | LTR | DESCRIPTION | DATE | APVD |
| A | | REVISED PER ECR-10-003773 | 10MAR2010 | HMR DD |

NOTES:

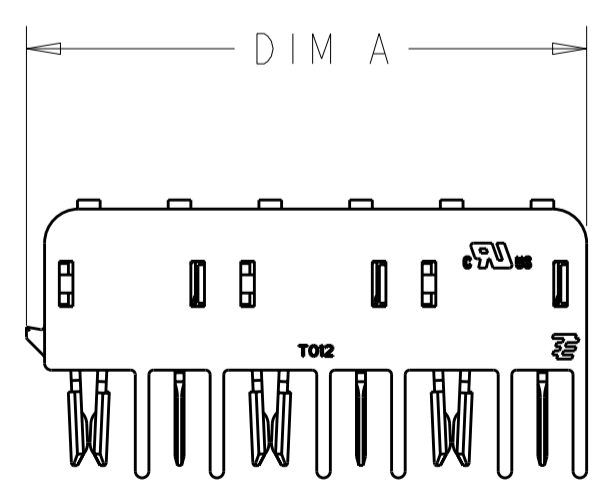
- 1 MATERIALS AND FINISH
 - HOUSING: LCP
 - CONTACTS: COPPER ALLOY, FINISH: TIN
- 2. PRODUCT TO COMPLY WITH DIRECTIVE 2002/95/EC (ROHS)
- 3. PACKAGED IN TAPE AND REEL PER EIA-481 SPECIFICATIONS
- 4 OPTIONAL PADS FOR SMT POKE-IN CONNECTOR PN 1954097-1
- 5 PRELIMINARY-NOT FOR PRODUCTION



2058703-1/
1-2058703-1
SHOWN



2058703-2/
1-2078503-2
SCALE 3:1

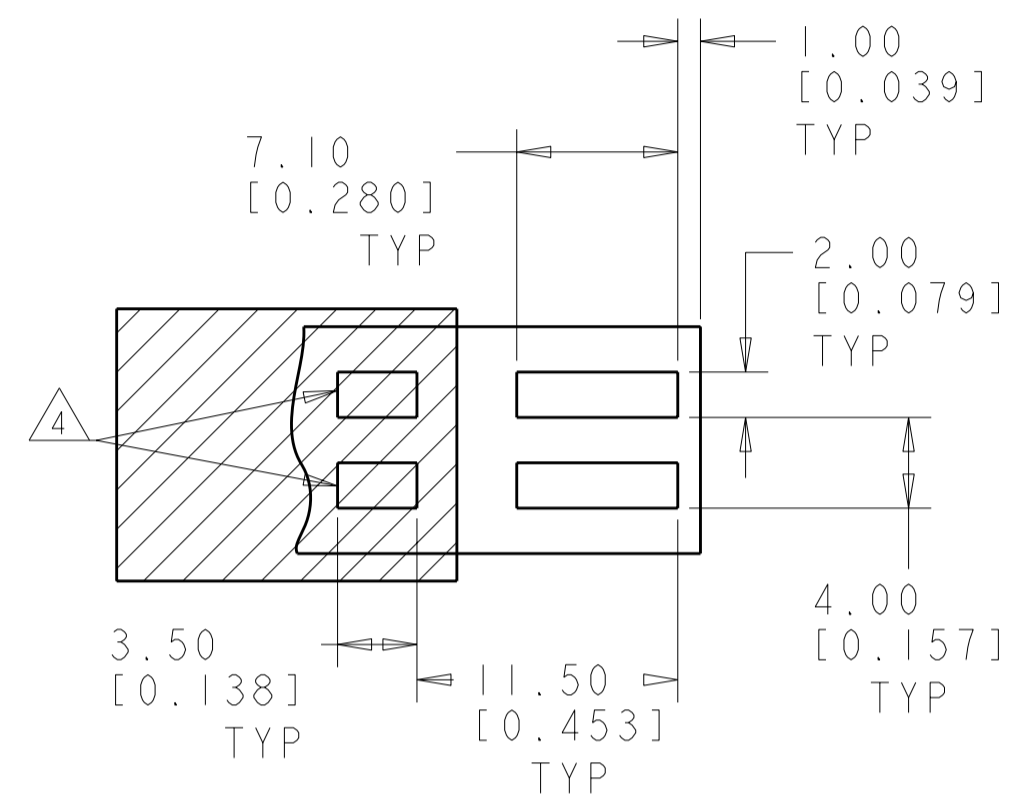


2058703-3/
1-2078503-3
SCALE 3:1

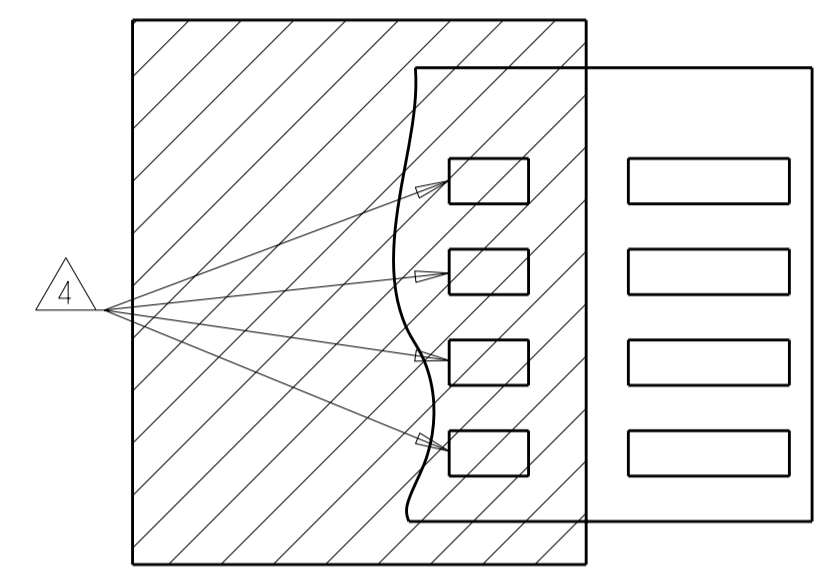
| | | | | |
|---|---|----------|-------|-------------|
| 5 | 6 | BLACK | 24.70 | 1-2058703-3 |
| 5 | 4 | BLACK | 16.70 | 1-2058703-2 |
| | 2 | BLACK | 8.70 | 1-2058703-1 |
| 5 | 6 | NATURAL | 24.70 | 2058703-3 |
| 5 | 4 | NATURAL | 16.70 | 2058703-2 |
| | 2 | NATURAL | 8.70 | 2058703-1 |
| | | POSITION | COLOR | DIM A |
| | | | | PART NO. |

| | | | | |
|--|--|-------------------------------|---|-------------------------|
| <small>THIS DRAWING IS A CONTROLLED DOCUMENT FOR TYCO ELECTRONICS CORPORATION. IT IS SUBJECT TO CHANGE AND THE CONTROLLING ENGINEERING ORGANIZATION SHOULD BE CONTACTED FOR THE LATEST REVISION.</small> | | DWN S. FISHER 18AUG2008 | Tyco Electronics Harrisburg, PA 17105-3608 | |
| DIMENSIONS: mm | | CHK R. NARANG 18AUG2008 | NAME CONNECTOR ASSEMBLY, HERMAPHRODITIC BLADE AND RECEPTACLE, WITH LATCH | |
| TOLERANCES UNLESS OTHERWISE SPECIFIED: 0 PLC ± 1 PLC ± 2 PLC ±0.13 3 PLC ±0.013 4 PLC ± ANGLES ±° FINISH | | APVD - | PRODUCT SPEC 108-2342 | RESTRICTED TO - |
| MATERIAL | | APPLICATION SPEC 114-13225 | SIZE A200779 | DRAWING NO C-2058703 |
| | | WEIGHT - | SCALE 1:1 SHEET 1 OF 2 REV A | |
| | | CUSTOMER DRAWING | | |

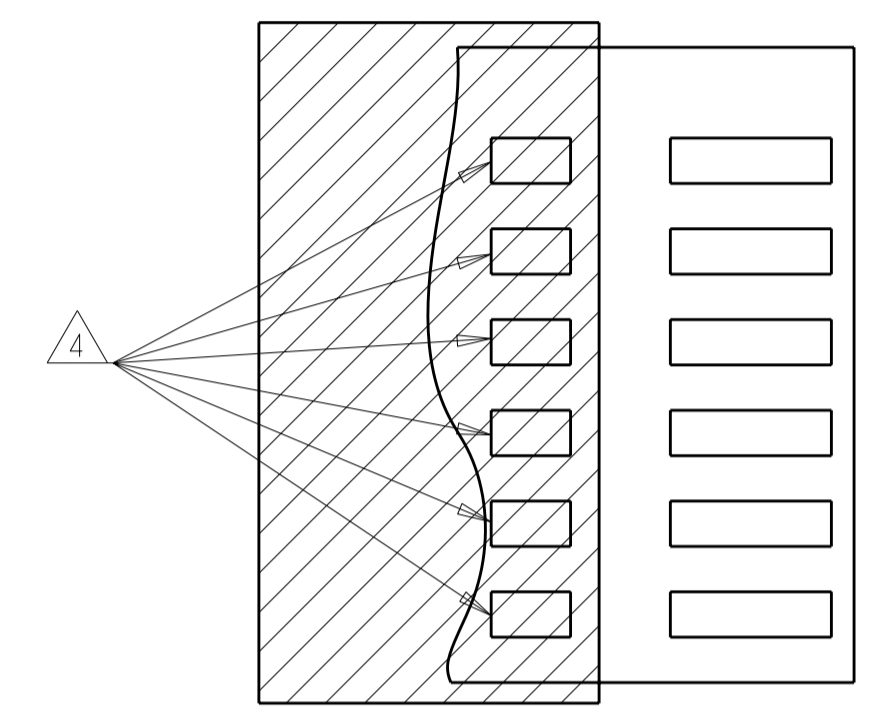
| LOC | | DIST | | REVISIONS | | | | |
|-----|-----|-------------|------|-----------|------|--|--|--|
| P | LTR | DESCRIPTION | DATE | DWN | APVD | | | |
| - | - | SEE SHEET 1 | - | - | - | | | |



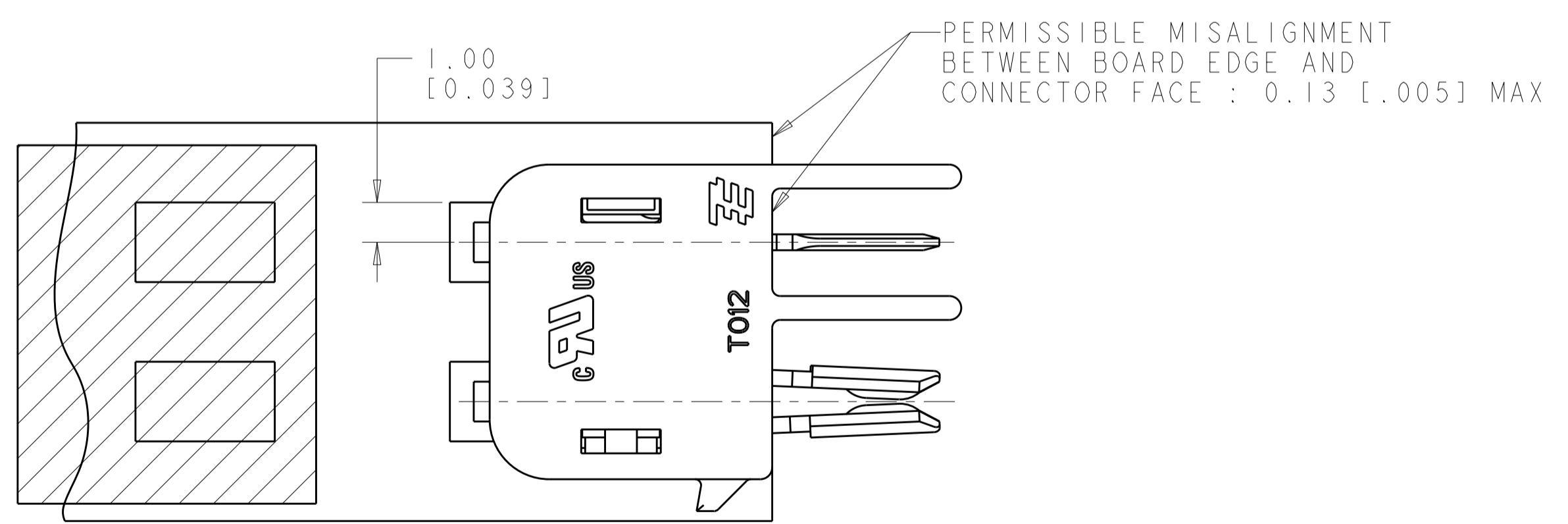
RECOMMENDED PCB LAYOUT FOR 2058703-1 & 1-2058703-1



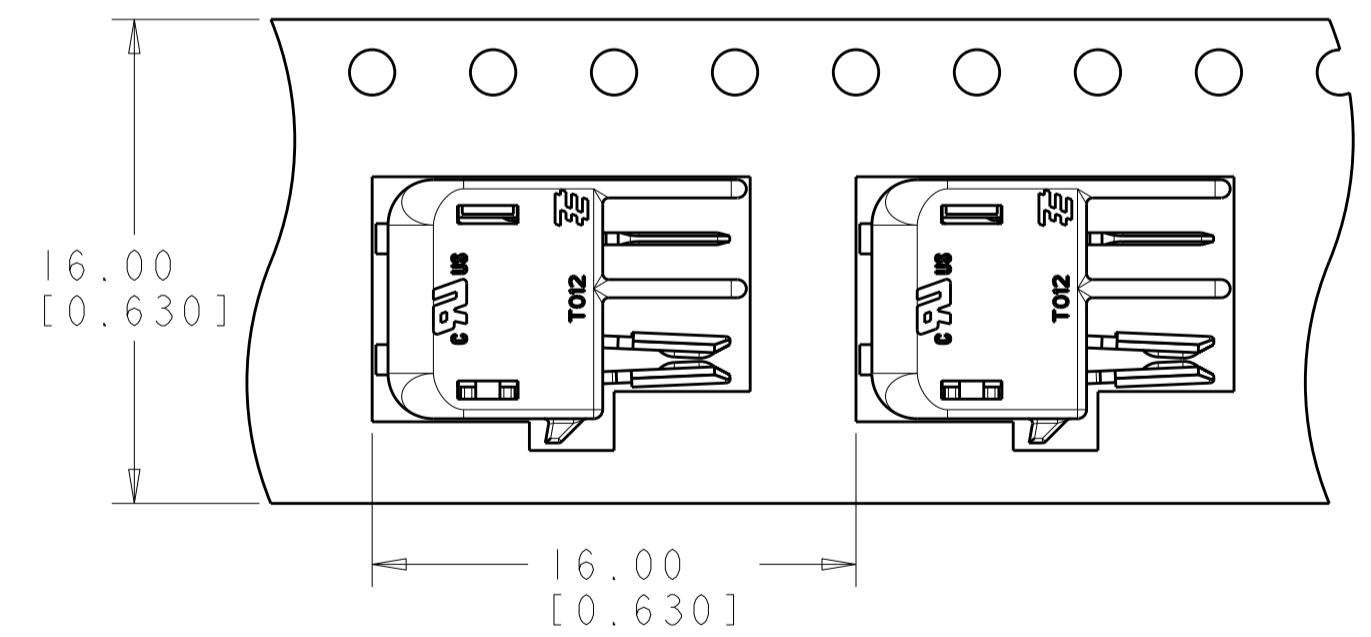
RECOMMENDED PCB LAYOUT FOR 2058703-2 & 1-2058703-2



RECOMMENDED PCB LAYOUT FOR 2058703-3 & 1-2058703-3



SCALE 8:1



TO BE PACKAGED AS SHOWN
SCALE 4:1

| | | | | |
|---|--|-------------------------------|---|-------------------------|
| THIS DRAWING IS A CONTROLLED DOCUMENT FOR TYCO ELECTRONICS CORPORATION. IT IS SUBJECT TO CHANGE AND THE CONTROLLING ENGINEERING ORGANIZATION SHOULD BE CONTACTED FOR THE LATEST REVISION. | | DWN S. FISHER 18AUG2008 | Tyco Electronics Harrisburg, PA 17105-3608 | |
| DIMENSIONS: mm | | CHK R. NARANG 18AUG2008 | NAME CONNECTOR ASSEMBLY, HERMAPHRODITIC BLADE AND RECEPTACLE, WITH LATCH | |
| TOLERANCES UNLESS OTHERWISE SPECIFIED: 0 PLC ± 1 PLC ± 2 PLC ±0.13 3 PLC ±0.013 4 PLC ± ANGLES ±° FINISH | | APVD - | PRODUCT SPEC 108-2342 | RESTRICTED TO |
| MATERIAL | | APPLICATION SPEC 114-13225 | SIZE A200779 | DRAWING NO C-2058703 |
| | | WEIGHT - | SCALE 6:1 | SHEET 2 OF 2 REV A |
| | | CUSTOMER DRAWING | | |