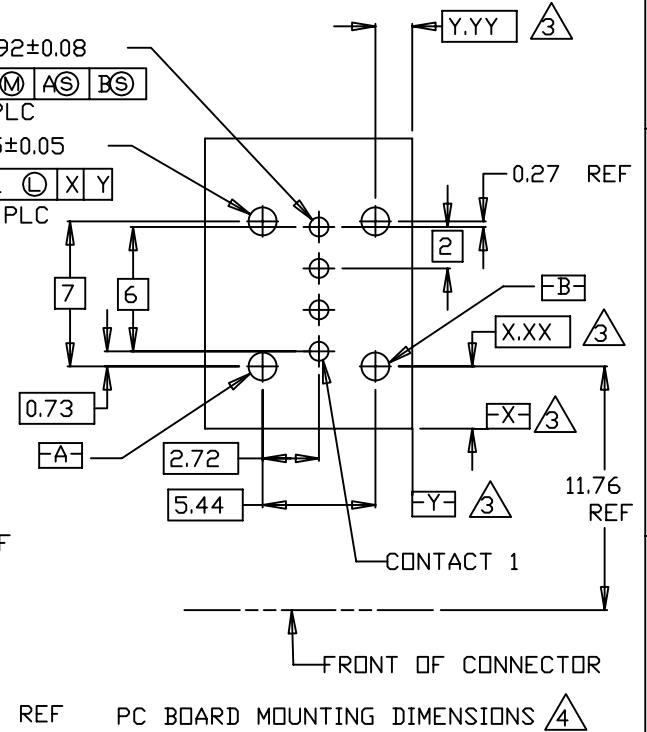
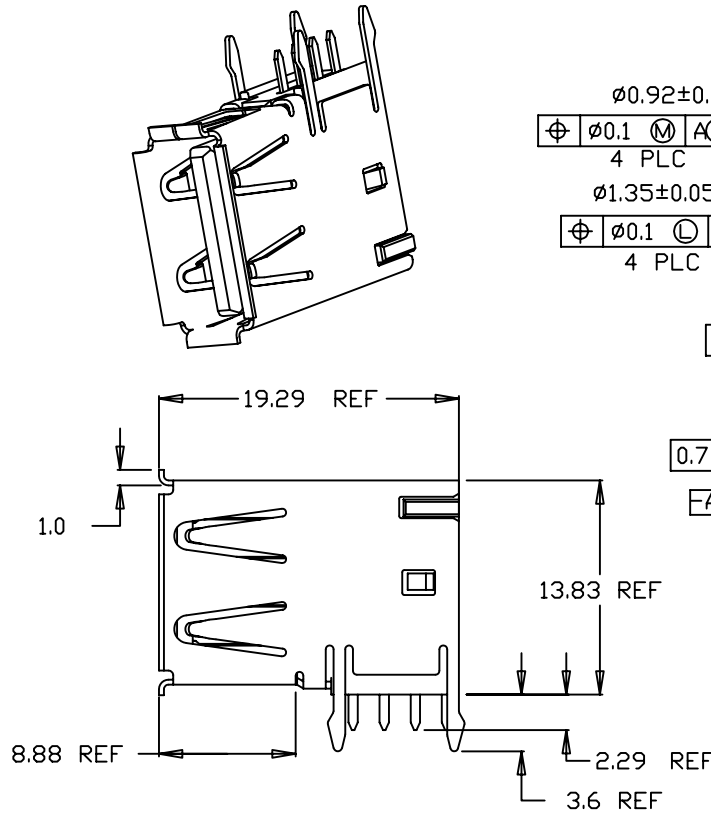
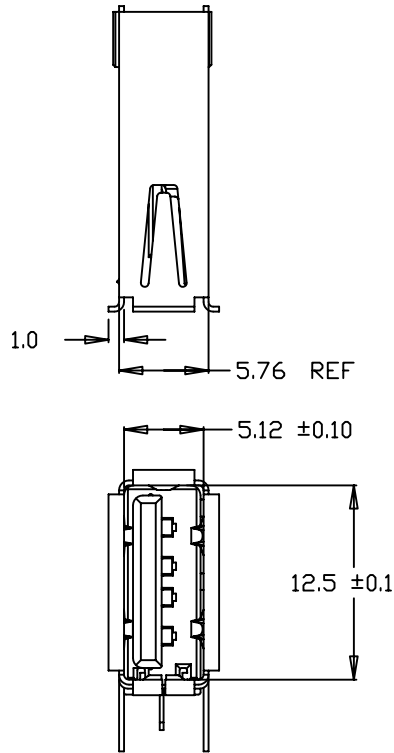


THIS DRAWING IS UNPUBLISHED. RELEASED FOR PUBLICATION 20
 © COPYRIGHT 20 BY TYCO ELECTRONICS CORPORATION. ALL RIGHTS RESERVED.

LDC	DIST	REVISIONS			
P	LTR	DESCRIPTION	DATE	DWN	APVD
ES	00	A	REVISED FB00-0215-04	16DEC04	G.Z. I.E.



1 MATERIAL:
 CONTACTS - PHOSPHOR BRONZE
 SHELL - COPPER ALLOY

2 PLATING:
 CONTACTS - 0.076 um MINIMUM GOLD OVER 0.76 um MINIMUM PALLADIUM-NICKEL
 ON MATING AREA, 3.8 um MINIMUM MATTE TIN ON SOLDER TAILS, BOTH OVER 1.27 um MINIMUM NICKEL
 SHELL 2~5 um MINIMUM BRIGHT TIN.
 CONTACT ALTERNATE PLATING: 0.76 um MINIMUM GOLD ON MATING AREA

3 DATUMS AND BASIC DIMENSIONS ESTABLISHED BY CUSTOMER

4 RECOMMENDED PC BOARD THICKNESS OF 1.57±0.18

5 HOUSING - UL 94V-0 RATED THERMOPLASTIC, NATURAL

6 HOUSING - UL 94V-0 RATED THERMOPLASTIC, BLACK

1	5	292336-2
1	6	292336-1
MATERIAL		PART NUMBER

DIMENSIONS		TOLERANCES UNLESS OTHERWISE SPECIFIED		APVD		NAME		RESTRICTED TO	
MM		0 PLC	±-	T. SASAKI		NAME		-	
		1 PLC	±-	PRODUCT SPEC		-		-	
		2 PLC	±0.13	APPLICATION SPEC		-		-	
		3 PLC	±-	WEIGHT		-		-	
		4 PLC	±-	CUSTOMER DRAWING		-		-	
		ANGLES	±-	SCALE		NON		-	
MATERIAL		FINISH		SIZE		CAGE CODE		DRAWING NO	
1 5 6		2		A3		00779		C=292336	
				SHEET		1		OF 1	
				REV		A			