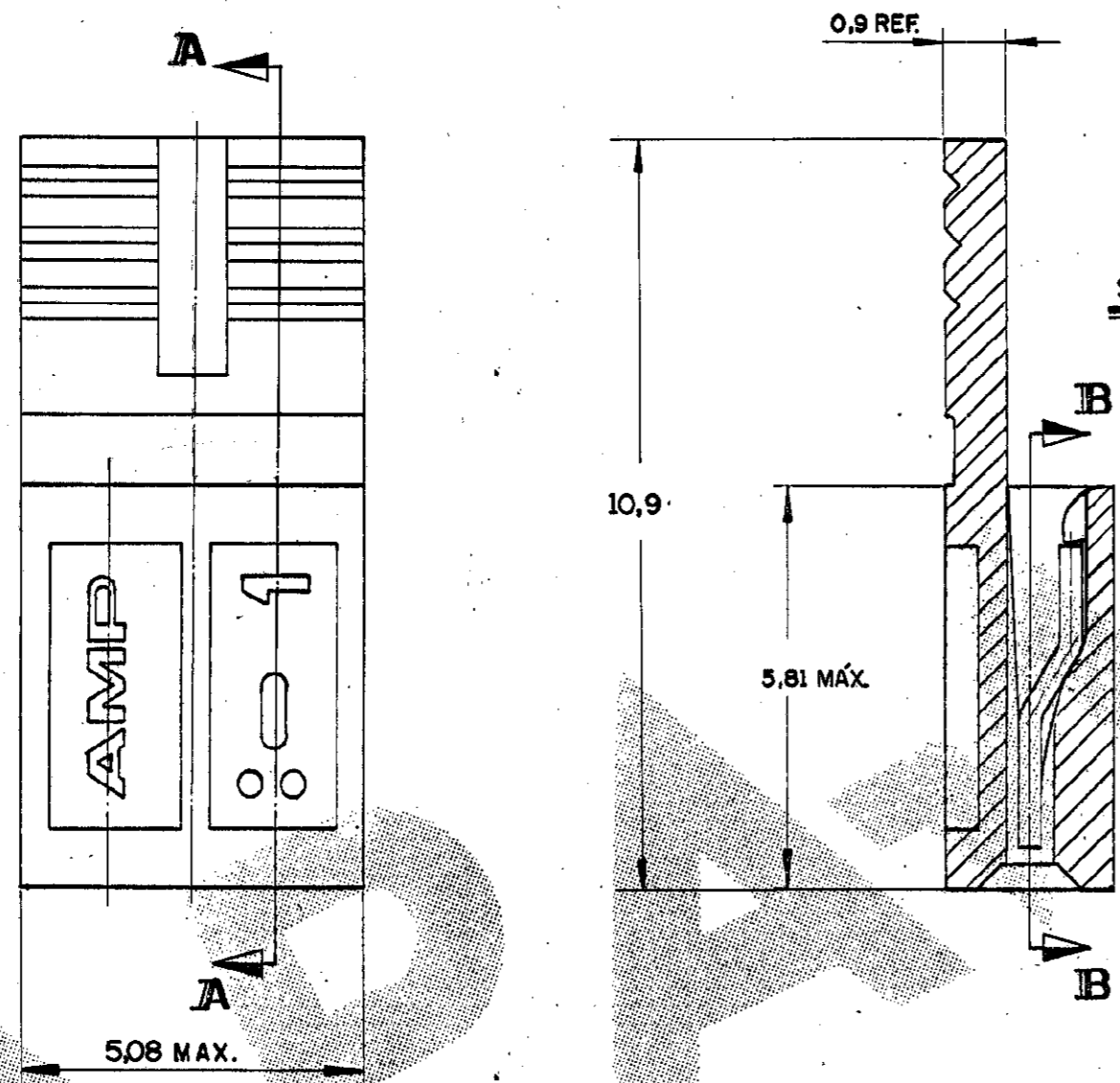
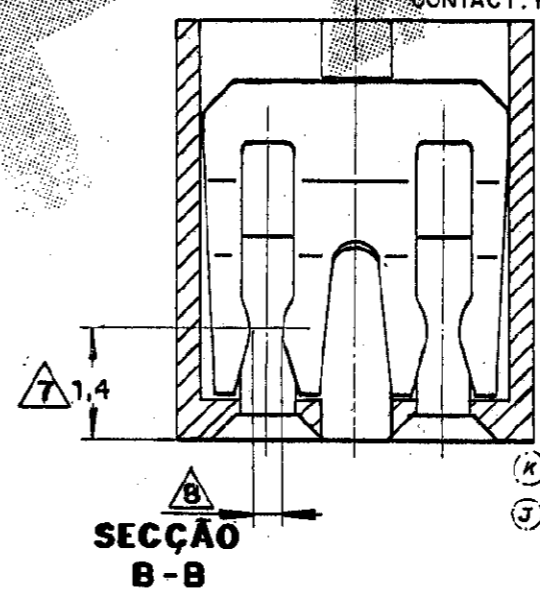


C881545

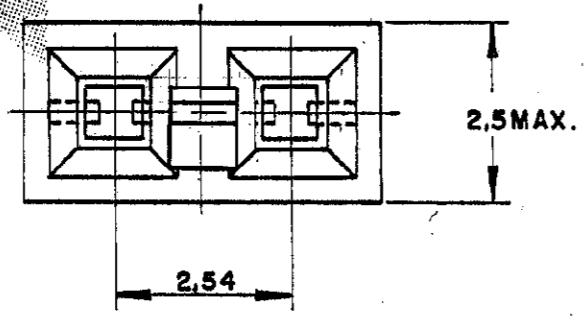
**ATENÇÃO**  
Este desenho esta sob o controle das especificações nos. 102-23 e 102-55. Toda e qualquer alteração, antes de ser processada, deverá ser comunicada aos clientes envolvidos, através dos procedimentos atuais.  
  
Ver pasta "Notificação ao Cliente"



**SEÇÃO A-A**



- NOTAS:**
- 1 MATERIAL: HOUSING: TERMOPLÁSTICO C/ FIBRA DE VIDRO V-O COR: PRETO  
CONTATO: BRONZE FOSFOROSO
  - MATERIAL: HOUSING: THERMOPLASTIC WITH GLASS FIBER V-O COLOR: BLACK  
CONTACT: PHOSPHOROUS BRONZE
  - 2 MATERIAL: HOUSING: TERMOPLÁSTICO C/ FIBRA DE VIDRO HB COR: NATURAL  
CONTATO: BRONZE FOSFOROSO
  - MATERIAL: HOUSING: THERMOPLASTIC WITH GLASS FIBER HB COLOR: NATURAL  
CONTACT: PHOSPHOROUS BRONZE
  - 3 0,38 µm. MIN. OURO NA AREA DE CONTATO, SOBRE BANHO 0,76 µm NIQUEL  
0,38 µm. MIN. GOLD ON CONTACT AREA, 0,76 µm NIQUEL UNDERPLATING
  - 4 0,76 µm. MIN. OURO NA AREA DE CONTATO, SOBRE BANHO 0,76 µm NIQUEL  
0,76 µm. MIN. GOLD ON CONTACT AREA, 0,76 µm NIQUEL UNDERPLATING
  - 5 1,27 µm. MIN. OURO NA AREA DE CONTATO, SOBRE BANHO 0,76 µm NIQUEL  
1,27 µm. MIN. GOLD ON CONTACT AREA, 0,76 µm NIQUEL UNDERPLATING
  - 6 ESTANHO SOBRE NIQUEL  
TIN OVER NICKEL
  - 7 PONTO DE CONTATO P/ MEDIÇÃO DA CAMADA DE OURO  
CONTACT POINT FOR GOLD PLATING MEASUREMENT
  - 8 ACEITA PINO QUADRADO 0,64 x 0,64 OU REDONDO Ø 0,64  
ALLOW SQUARE PIN 0,64 x 0,64 OR ROUND Ø 0,64
  - 9 MATERIAL: HOUSING: TERMOPLÁSTICO C/ 15% DE FIBRA DE VIDRO, V2, COR VERMELHO (PADRÃO DE COR: RAL 3000).  
CONTATO: BRONZE FOSFOROSO  
MATERIAL: HOUSING THERMOPLASTIC WITH 15% GLASS FIBER, V2, COLOR RED (STAND COLOR: RAL 3000)  
CONTACT: PHOSPHOROUS BRONZE.



- 10 SIMILAR DO P/No 881545-2, PORÉM EM EMBALAGENS C/ 2.000 PEÇAS/SACO PLÁSTICO.  
SIMILAR OF P/No 881545-2 BUT IN PACKAGES W/ 2.000 PARTS/ PLASTIC BAG.
- 11 MATERIAL HOUSING: TERMOPLÁSTICO COM 15% FIBRA DE VIDRO, V2, COR AMARELO (RAL 1016)  
CONTATO: BRONZE FOSFOROSO  
MATERIAL: HOUSING: THERMOPLASTIC 15% GLASS FIBER V2, COLOR YELLOW (RAL 1016)  
CONTACT: PHOSPHOROUS BRONZE.
- 12 MATERIAL HOUSING TERMOPLÁSTICO COM 15% FIBRA DE VIDRO, V2, COR VERDE (AMP A6484)  
CONTATO: BRONZE FOSFOROSO  
MATERIAL HOUSING THERMOPLASTIC 15% GLASS FIBER, V2, COLOR GREEN (AMP A6484)  
CONTACT: PHOSPHOROUS BRONZE.

6	1	4-	-2
3	2	4-	-1
3	1	3-	-1
6		2-	-4
5		2-	-3
4		2-	-2
3		2-	-1
		2- 881545	-1
		10	-9
			-8
			-7
			-6
			-5
			-4
			-3
			-2
			-1
			881545-1

OTHER TREATMENT FINISH MATERIAL PART NUMBER

**CUSTOMER DWG**  
for REFERENCE ONLY

THIS DRAWING IS UNPUBLISHED | RELEASED FOR PUBLICATION  
C COPYRIGHT 19 BY AMP DO BRASIL LTDA S.P. ALL INTERNATIONAL RIGHTS RESERVED AMP PRODUCTS MAY BE COVERED BY U.S. AND FOREIGN PATENTS AND/OR PATENTS PENDING.

INS. DIA. RANGE	WIRE RANGE	SCALE
DEC. ±0.5		ANGLES ±1°

AMP do BRASIL LTDA.  
São Paulo, Brasil

DESCRIPTION **AMP SHUNT**  
**LOW PROFILE CONNECTOR ASSY**

DWG NO **C 881545** SHEET 1 of 2

REVISION RECORD  
REV. NO. REVISED BY ECN DATE DR. CHK. DATE

- A REVISED BY EC 115-93
- F REVISED BY ECN 3284
- E REVISED BY ECN 3148
- D REVISED BY ECN 2012
- C REVISED BY ECN 8679
- B REVISED BY ECN 8688
- A REVISED BY ECN 2447
- O WAS P88-29073

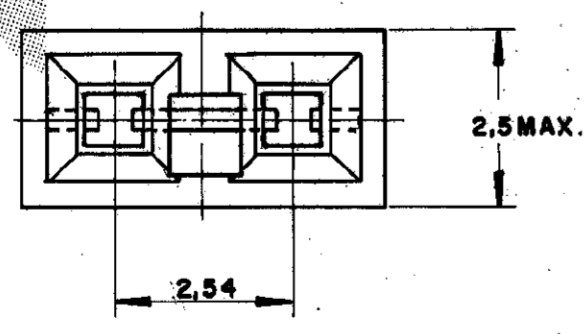
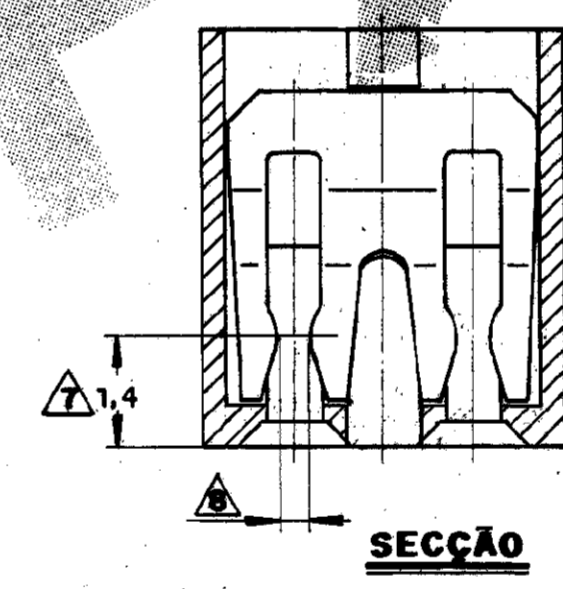
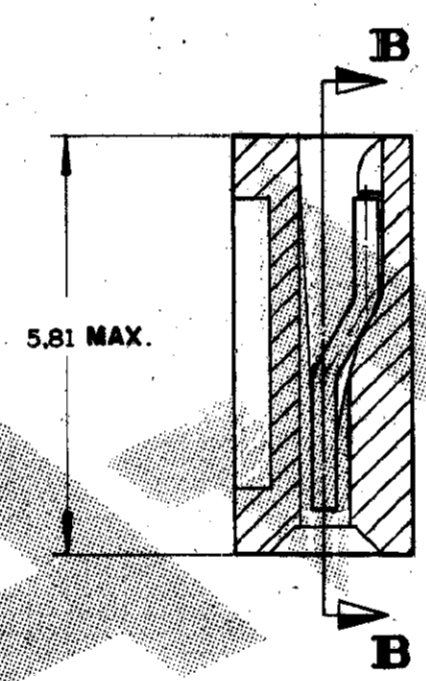
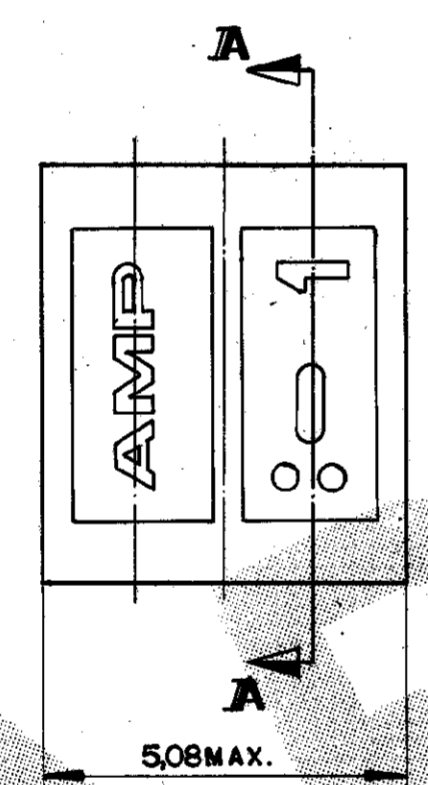
C 881545

DO NOT SCALE  
DIMENSIONS IN mm.

**METRIC**

3rd ANGLE PROJECTION

**SECÇÃO A-A**



6		2-	- 8
5		2-	- 7
4		2-	- 6
3	3	2-	881 545 - 5
6		1-	- 8
5		1-	- 7
4		1-	- 6
3	2	1-	- 5
6		1-	- 4
5		1-	- 3
4		1-	- 2
3	1	1-	881 545 - 1

OTHER TREATMENT	FINISH	MATERIAL	PART NUMBER
<b>CUSTOMER DWG</b> for REFERENCE ONLY			
<small>THIS DRAWING IS UNPUBLISHED. RELEASED FOR PUBLICATION 19            C. COPYRIGHT 19 BY AMP DO BRASIL LTDA S.P. - ALL INTERNATIONAL RIGHTS            RESERVED. AMP PRODUCTS MAY BE COVERED BY U.S. AND FOREIGN PATENTS AND/OR PATENTS PENDING.            TOLERANCES UNLESS OTHERWISE STATED:            DEC. ±0,5            ANGLES ±1°</small>			
<small>DR. 11-09-88</small> <small>CHK. 08-11-88</small> <small>DES. 29 JUL 03</small>		<small>INS. DIA. RANGE</small> <small>WIRE RANGE</small> <small>SCALE</small>	
<small>REVISED EC L800014003 H.C.</small>		<b>AMP</b> AMP do BRASIL LTDA. São Paulo, Brasil	
<small>ISS REVISION RECORD DR CHK DATE</small>		DESCRIPTION <b>AMP SHUNT</b> <b>LOW PROFILE CONNECTOR ASS'Y</b>	
<small>SEE SHEET 1 OF 2</small>		DWG NO <b>C 881545</b> SHEET 2 OF 2	