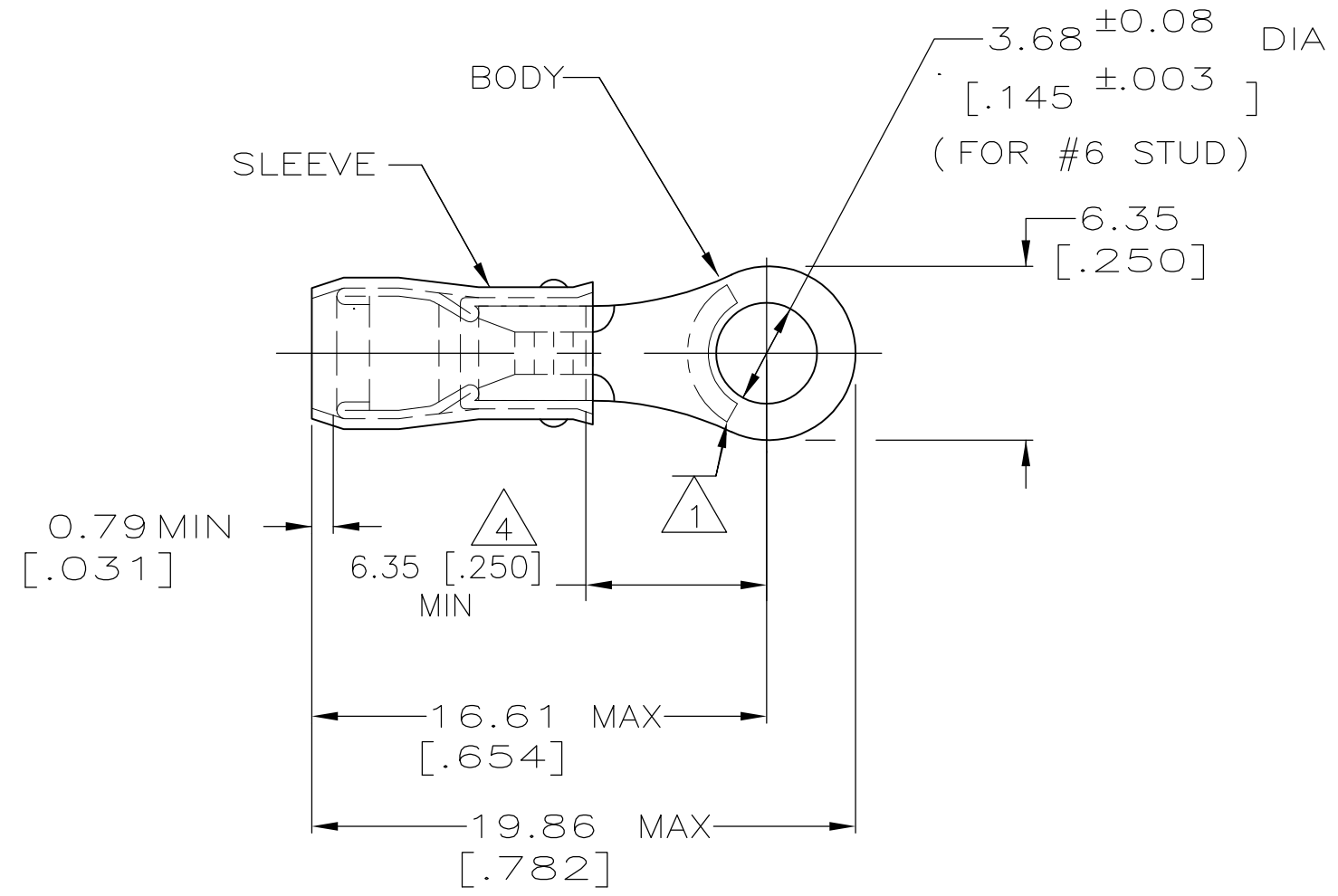


THIS DRAWING IS UNPUBLISHED. RELEASED FOR PUBLICATION  
 © COPYRIGHT - By - ALL RIGHTS RESERVED.

LOC	DIST	REVISIONS					
		P	LTR	DESCRIPTION	DATE	DWN	APVD
G	14		Z3	REVISED PER ECO-13-013734	29AUG2013	KH	DR

<b>AMP</b> WIRE RANGE	Listed FILE E13288	LR7189 Certified
22-16 AWG SOLID OR STRANDED	22-16 AWG SOLID OR STRANDED	22-16 AWG SOLID OR STRANDED



- 1 STAMP AMP 22-18\* APPROX AS SHOWN  
22-16 TERMINALS ARE STAMPED 22-18 IN  
ACCORDANCE WITH MILITARY SPEC MIL-T-7928  
COMMERCIAL WIRE RANGE IS 22-16
- 2 WIRE INSULATION DIA: 2.03 - 3.18  
[.080 - .125]
- 3 TONGUE MATERIAL THK: 0.79±0.05  
[.031±.002]
- 4 DIMENSION APPLIES FROM EDGE OF METAL  
WIRE BARREL TO CENTER OF STUD HOLE.
- 5 BODY - COPPER PER ASTM B-152  
SLEEVE - NYLON
- 6 BODY - TIN PLATE PER ASTM B545,  
.000100 MIN EXT THK  
SLEEVE- COLOR, RED

MILITARY P/N AND CLASS	QTY	PACKAGE TYPE	PART NUMBER
--	100	LOOSE PIECE, BOX	7-51863-1
MS25036-102 CLASS 2	5000	ON TAPE, REEL	51863-1
MS25036-102 CLASS 1 & 2	1000	LOOSE PIECE	51863

<b>AMP INCORPORATED CUSTOMER SERVICE SYSTEMS</b>		MAX RECOMMENDED OPERATING TEMPERATURE: 105°C MAX
FOR ADDITIONAL PRODUCT INFORMATION OR COPIES OF DRAWINGS AND TECHNICAL DOCUMENTS	PRODUCT INFORMATION CENTER 1-800-522-6752	VOLTAGE RATING: 300V MAX
FOR APPLICATION TOOLING INFORMATION	TOOLING ASSISTANCE CENTER 1-800-722-1111	CIRCULAR MIL AREA: 0.26-1.65mm² [509-3260] CIR MILS SOLID OR STRANDED
FOR ORDER ENTRY	1-800-526-5142	THIS DRAWING IS A CONTROLLED DOCUMENT FOR AMP INCORPORATED. IT IS SUBJECT TO CHANGE AND THE CONTROLLING ENGINEERING ORGANIZATION SHOULD BE CONTACTED FOR THE LATEST REVISION.

THIS DRAWING IS A CONTROLLED DOCUMENT.	
DIMENSIONS: mm [INCHES]	TOLERANCES UNLESS OTHERWISE SPECIFIED:
	0 PLC ± - 1 PLC ± - 2 PLC ± 0.20[.008] 3 PLC ± - 4 PLC ± - ANGLES ± -
MATERIAL	FINISH

DWN DK SCHRUM 9/8/93	TE Connectivity	NAME	
CHK RE HERSEY 9/8/93		TERMINAL, RING TONGUE, PIDG WIRE SIZE: 22-16 AWG	
APVD M BARNABA 9/8/93		PRODUCT SPEC	UL 486A
APPLICATION SPEC		NOT AVAILABLE	SIZE
WEIGHT	-	CAGE CODE	RESTRICTED TO
CUSTOMER DRAWING		A3 00779	DRAWING NO C-51863
SCALE		NTS	SHEET 1 OF 2
REV		Z3	

THIS DRAWING IS UNPUBLISHED. RELEASED FOR PUBLICATION  
 © COPYRIGHT - By - ALL RIGHTS RESERVED.

LOC	DIST	REVISIONS			
P	LTR	DESCRIPTION	DATE	DWN	APVD
G	14	-	SEE SHEET 1	-	-

**AMP**  
WIRE RANGE

---

SEE TABLE  
STRANDED

1 STAMP AMP [ ] APPROX AS SHOWN  
SEE TABLE BELOW

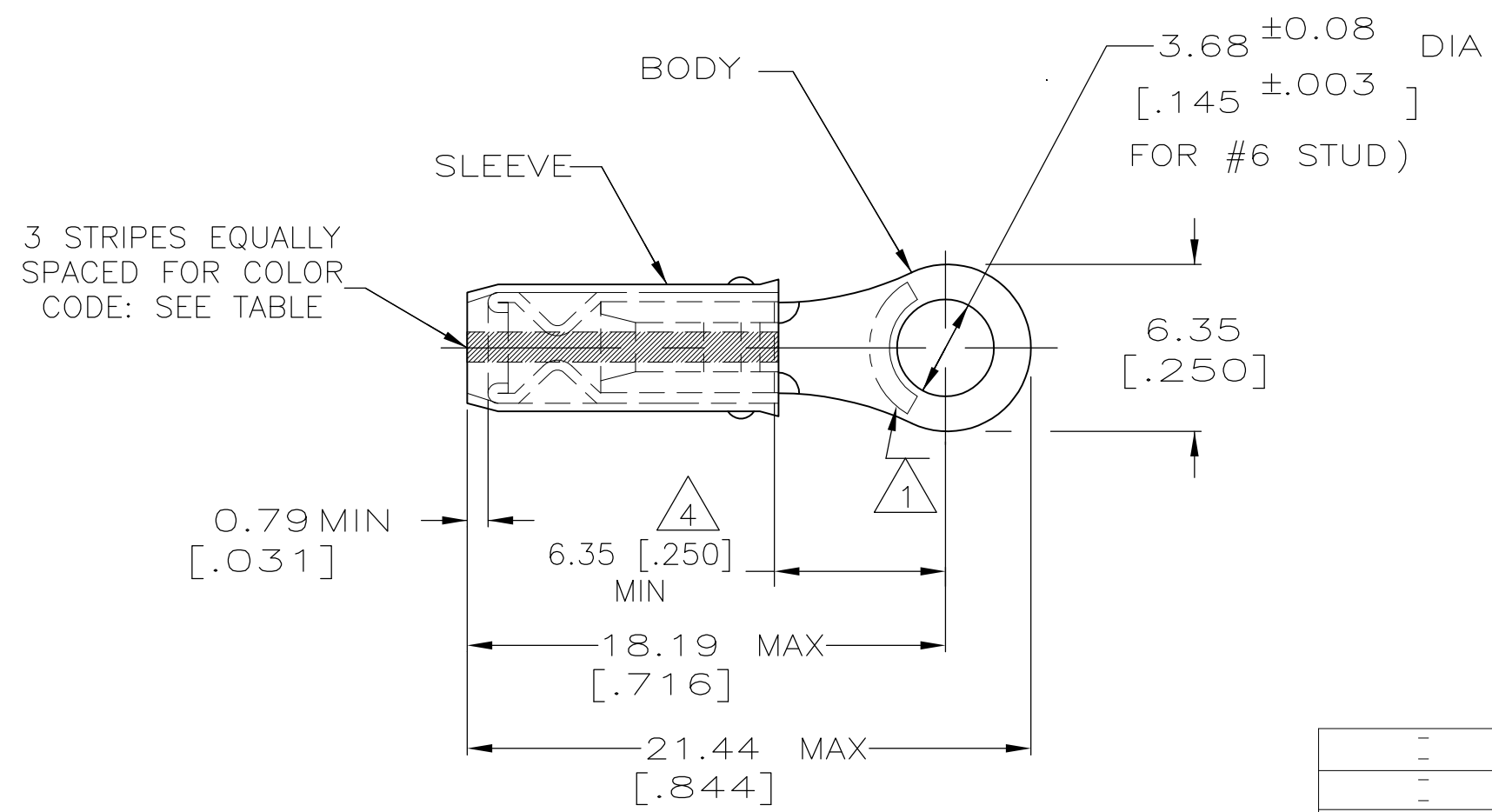
2 WIRE INSULATION DIA:  
 0.97 - 2.79 FOR 22 AWG  
 [.038 - .110]  
 1.17 - 2.79 FOR 20 AWG  
 [.046 - .110]  
 1.42 - 2.79 FOR 18 AWG  
 [.056 - .110]

3 TONGUE MATERIAL THK: 0.79±0.05  
 [.031±.002]

4 DIMENSION APPLIES FROM EDGE OF METAL  
WIRE BARREL TO CENTER OF STUD HOLE.

5 BODY - COPPER PER ASTM B-152  
SLEEVE - NYLON

6 BODY - TIN PLATE PER ASTM B545,  
.000100 MIN EXT. THK SLEEVE - COLOR - RED



MILITARY P/N AND CLASS	STRIPE COLOR	1 STAMPING	WIRE SIZE	QTY	PACKAGE TYPE	PART NO.
-	WHITE	18*	18	100	LOOSE PIECE, BOX	9-51863-1
-	GREEN	22*	22	100	LOOSE PIECE, BOX	8-51863-1
M7928/1-31 CLASS 2	WHITE	18*	18	5000	ON TAPE, REEL	51863-7
M7928/1-22 CLASS 2	RED	20*	20	5000	ON TAPE, REEL	51863-6
M7928/1-13 CLASS 2	GREEN	22*	22	5000	ON TAPE, REEL	51863-5
M7928/1-31 CLASS 1 & 2	WHITE	18*	18	1000	LOOSE PIECE	51863-4
M7928/1-22 CLASS 1 & 2	RED	20*	20	1000	LOOSE PIECE	51863-3
M7928/1-13 CLASS 1 & 2	GREEN	22*	22	1000	LOOSE PIECE	51863-2

<b>AMP INCORPORATED CUSTOMER SERVICE SYSTEMS</b>		MAX RECOMMENDED OPERATING TEMPERATURE: 105°C MAX	THIS DRAWING IS A CONTROLLED DOCUMENT.		DWN DK SCHRUM 9/8/93	<b>STE</b> TE Connectivity					
FOR ADDITIONAL PRODUCT INFORMATION OR COPIES OF DRAWINGS AND TECHNICAL DOCUMENTS	PRODUCT INFORMATION CENTER 1-800-522-6752	VOLTAGE RATING: 300V MAX	DIMENSIONS: mm [INCHES]	TOLERANCES UNLESS OTHERWISE SPECIFIED:	CHK RE HERSEY 9/8/93				NAME TERMINAL, RING TONGUE, PIDG WIRE SIZE: 22-16 AWG		
FOR APPLICATION TOOLING INFORMATION	TOOLING ASSISTANCE CENTER 1-800-722-1111	CIRCULAR MIL AREA: 0.26-1.65mm² [509-3260] CIR MILS SOLID OR STRANDED		0 PLC ± - 1 PLC ± - 2 PLC ± 0.20[.008] 3 PLC ± - 4 PLC ± - ANGLES ± -	APVD M BARNABA 9/8/93	PRODUCT SPEC	SIZE	CAGE CODE	DRAWING NO	RESTRICTED TO	
FOR ORDER ENTRY	1-800-526-5142	THIS DRAWING IS A CONTROLLED DOCUMENT FOR AMP INCORPORATED. IT IS SUBJECT TO CHANGE AND THE CONTROLLING ENGINEERING ORGANIZATION SHOULD BE CONTACTED FOR THE LATEST REVISION.	MATERIAL	FINISH	PRODUCT SPEC	NOT AVAILABLE	A3	00779	C-51863	-	
					APPLICATION SPEC	WEIGHT	CUSTOMER DRAWING		SCALE	SHEET	REV
							NTS	2 OF 2	Z3		