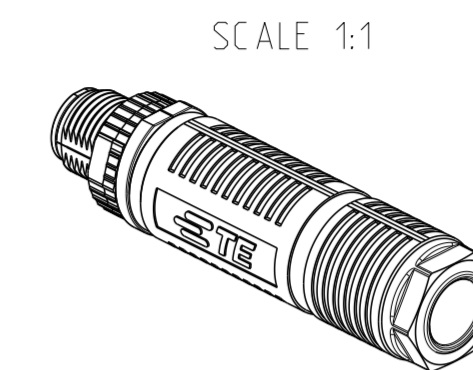
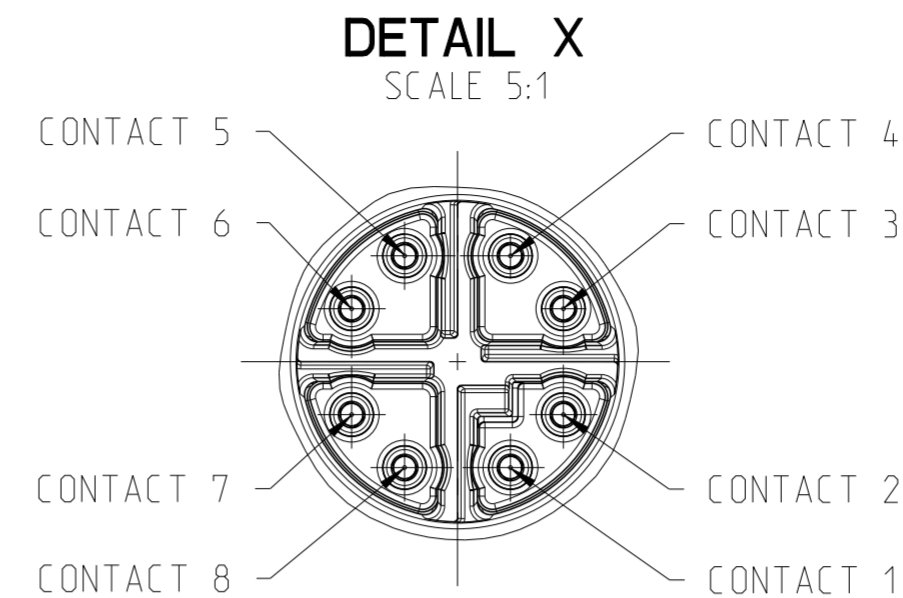
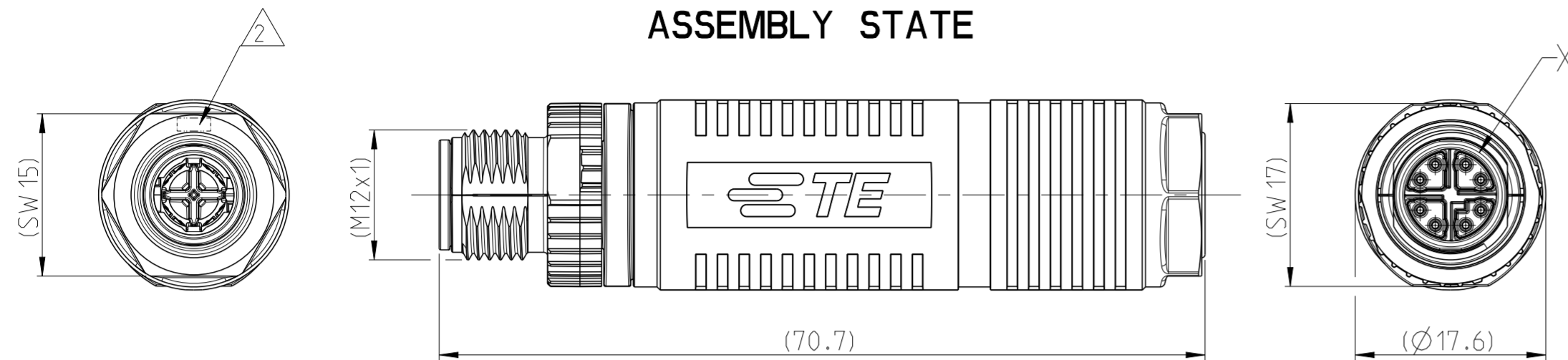
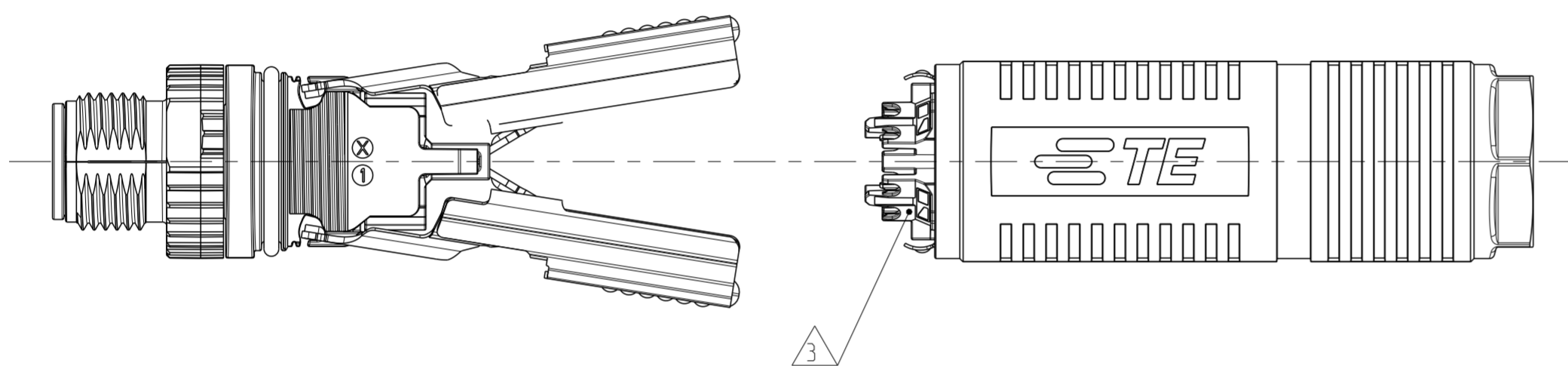


REVISIONS		DATE	DWN	APVD
P	LTR	DESCRIPTION		
1		NEW PELIMINARY DRAWING	ER	EL
2		TEXT REVISED	ER	EL
3		COMPONENTS AND DRAWING UPDATED	ER	JDB
A1		ACTIVATION	ER	JDB

**ASSEMBLY STATE**



**DELIVERY STATE**



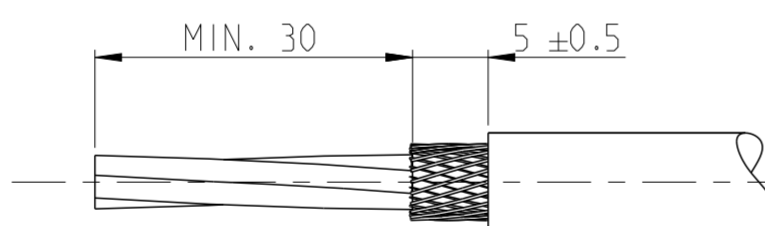
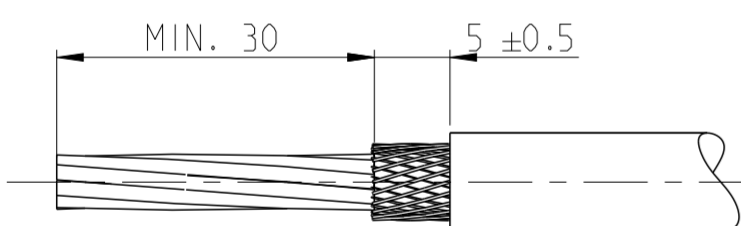
- 2 MANUFACTURING DATE CODE MARKING:  
YEAR AND WEEK (SEE TABLE)  
AFTER POSITIVE INSPECTION
- 3 FLOATING POSITION
- 4 PACKAGING: 1 PIECE OF EACH COMPONENT  
PACKED IN A FOLDING CARTON  
WITH AN INSTRUCTION SHEET
- 6 APPLICATION SEE INSTRUCTION SHEET 408-18019

**CABLE: 8 POS. AWG 24 AND AWG 26  
 STRANDED OR SOLID**

**CABLE: 4 POS. AWG 22 STRANDED OR SOLID**

RECOMMENDED STRIPPING LENGTH

RECOMMENDED STRIPPING LENGTH



COLOR ALLOCATION OF  
 M12 X-CODE CONTACT 8 POS. TYPE:

COLOR ALLOCATION OF  
 M12 X-CODE CONTACT 4 POS. TYPE:

CONTACT NO.	COLOR CODE/ WIRE COLOR
1	WHITE/ORANGE
2	ORANGE
3	WHITE/GREEN
4	GREEN
5	WHITE/BROWN
6	BROWN
7	WHITE/BLUE
8	BLUE

CONTACT NO.	COLOR CODE	WIRE COLOR (PROFINET 4P)
1	WHITE/ORANGE	YELLOW
2	ORANGE	ORANGE
3	WHITE/GREEN	WHITE
4	GREEN	BLUE

PRODUCTION DATE CODE

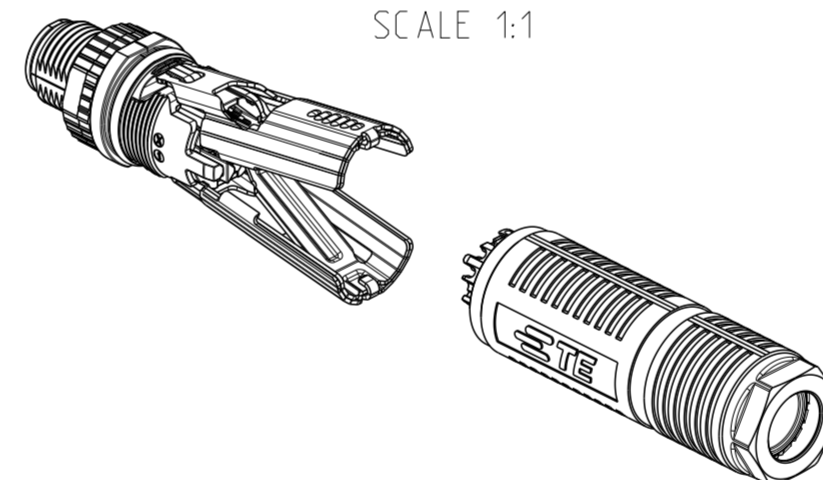
YEAR	CODE	WEEK
2018	K	01
2019	L	T0
2020	M	52
2021	N	
2022	P	
2023	R	

EXAMPLES: WEEK 22 IN 2018 = K22  
 WEEK 3 IN 2020 = M03

TOLERANCING ISO 8015  
 GEOMETRIC TOLERANCING ISO 1101  
 SIZE ISO 14405  
 GENERAL TOLERANCES ISO 2768-K

**- 1 AS SHOWN**

SCALE 1:1



2327989-1	<b>TE CONNECTIVITY ORDER-NO.</b>			
-	-	-	1	M12 X-CODE FIELD INSTALLABLE CABLE PLUG WITH INSTRUCTION SHEET
QUANTITY		DESCRIPTION		SURFACE COLOUR
				MATERIAL

DIESE ZEICHNUNG IST EIN KONTROLLIERTES DOKUMENT. BEMASSUNGEN UND TOLERANZEN GEMAESS GPS (ISO STANDARDS).		DWN E. REISS 04 APR 2018	
THIS DRAWING IS A CONTROLLED DOCUMENT. DIMENSIONING AND TOLERANCING PER GPS (ISO STANDARDS).		CHK T. LEIJTENS 04 APR 2018	
DIMENSIONS: MASSE/EINHEITEN: (MM)		APVD E. LEIJTENS 04 APR 2018	
TOLERANCES UNLESS OTHERWISE SPECIFIED: ALLGEMEINTOLERANZEN		NAME M12 X-CODE CAT6a	
0 PLC ±0.3 1 PLC ±0.3 2 PLC ±0.3 3 PLC ± 4 PLC ±		PRODUCT SPEC PRODUKTSPEZ. 108-94661	
ANGLES/WINKEL ±1 FINISH/OBERFLAECHE/FARBE		APPLICATION SPEC VERARBEITUNGSSPEZ.	
MATERIAL		WEIGHT GEWICHT	
		SCALE MASSSTAB 2:1	
		SHEET BLATT 1 OF 1	
		REV A1	