

Chassis Mount

HPI Series

High Power International Transformers

Greater Performance in Less Space and Weight

Constructed on a concentric platform, Signal's HPI series provides reinforced insulation while maintaining superior volumetric efficiency.

General Specifications

- Power - 1250, 1500, 1750, 2000, 2750 and 3500 VA ratings
- Dielectric Strength - 4.0 kV
- Available Input Voltage - 100 V, 115 V, 215 V, 230 V, 50/60 Hz
- Output Voltage - 115/230 V
- Touch-Safe terminals (IP20 type) offer a screw/binding clamp for hard wiring and 3/16" & 1/4" Fast-On connections
- Leakage Current @ <50 micro Amps
- Insulation System - UL Recognized Class H (180° C)
- Flammability Rating - UL 94-V0

Agency Certifications

- UL recognized to UL 506 / UL 5085-2, File # E63829, meets UL60601-1 construction
- CSA certified to C22.2 #66.1, File # 221070
- UL Insulation Systems 1446, File # E66312
- VDE Certified to EN 61558-2-1, License # 139772
- CE Compliance VDE Declaration of Conformity LVD 2014/35/EU



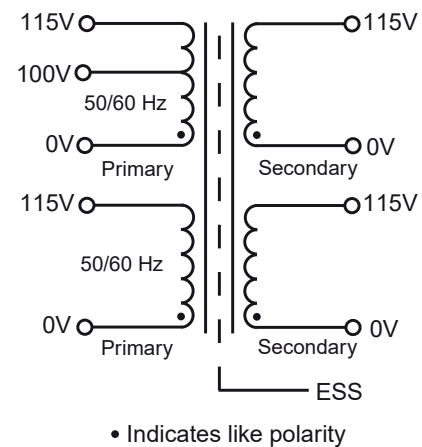
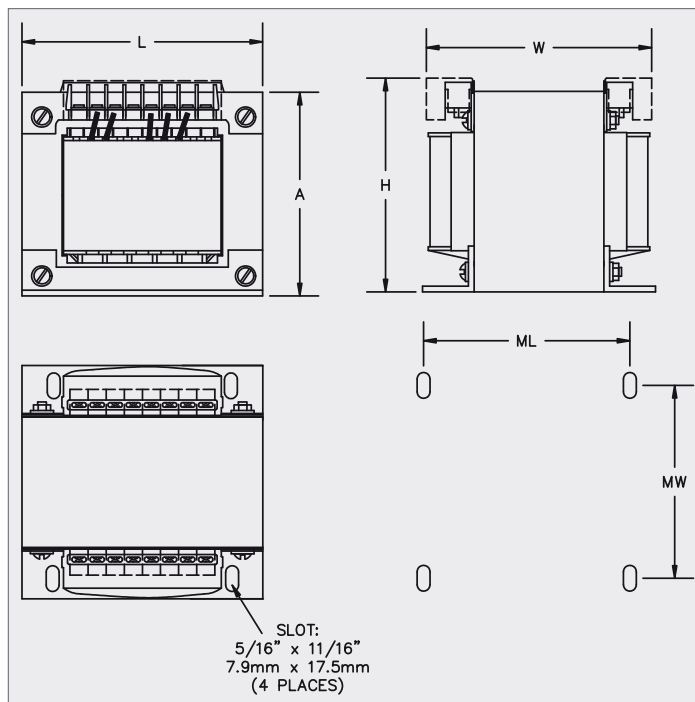
Part Number Selection

Part Number	VA	Secondary RMS Rating	
	Size	Series	Parallel
HPI-12*	1250	230 V @ 5.4 A	115 V @ 10.9 A
HPI-15*	1500	230 V @ 6.5 A	115 V @ 13.0 A
HPI-17*	1750	230 V @ 7.6 A	115 V @ 15.2 A
HPI-20	2000	230 V @ 8.7 A	115 V @ 17.4 A
HPI-27	2750	230 V @ 12.0 A	115 V @ 24.0 A
HPI-35	3500	230 V @ 15.2 A	115 V @ 30.4 A

* All models have UL, CSA, TUV and VDE agency approvals except those marked with * which have TUV instead of VDE.

Mechanical Specifications

Part Number	Mechanical Dimensions						
	L	W	H	A	ML	MW	Weight
	Inches (mm)						
HPI-12*	7.06 (179.3)	5.1 (129.6)	6.10 (154.9)	6.03 (153.2)	5.50 (139.7)	3.69 (93.7)	31.0 (14.07)
HPI-15*	7.06 (179.3)	5.5 (139.7)	6.10 (154.9)	6.03 (153.2)	5.50 (139.7)	4.03 (103.0)	35.75 (16.23)
HPI-17*	7.06 (179.3)	5.89 (149.7)	6.10 (154.9)	6.03 (153.2)	5.50 (139.7)	4.48 (113.3)	38.50 (17.50)
HPI-20	7.50 (190.5)	5.26 (133.7)	6.56 (166.5)	6.25 (158.8)	5.75 (146.1)	4.35 (110.5)	40.1 (18.16)
HPI-27	7.50 (190.5)	5.89 (149.7)	6.56 (166.5)	6.25 (158.8)	5.75 (146.1)	4.98 (126.5)	48.0 (21.77)
HPI-35	7.50 (190.5)	6.99 (177.6)	6.56 (166.5)	6.25 (158.8)	5.75 (146.1)	6.08 (154.4)	62.4 (28.30)



Custom versions available upon request.



128 Atlantic Avenue, Lynbrook, NY 11563
Toll Free 866-239-5777 | Tel 516-239-5777 | Fax 516-239-7208
sales@signaltransformer.com | techhelp@signaltransformer.com

belfuse.com/signal

Mouser Electronics

Authorized Distributor

Click to View Pricing, Inventory, Delivery & Lifecycle Information:

[Bel:](#)

[HPI-27](#) [HPI-35](#) [HPI-20](#) [HPI-15](#) [HPI-12](#) [HPI-17](#)