

3ET1

**SAFETY ORGANIZATION(S):**

THIS FILTER HAS BEEN FORMALLY RECOGNIZED, CERTIFIED OR APPROVED BY THE LISTED AGENCY. THEREFORE, ALL TEST/REQUIREMENTS SPECIFIED IN THE LATEST REVISION OF THE FOLLOWING AGENCY STANDARDS HAVE BEEN MET:

UL RECOGNIZED  
CSA CERTIFIED  
VDE APPROVED  
SEV APPROVED

UL 1283  
CSA 22.2, NO.0,0.4,8  
VDE 565-3  
SEV 1055/TP1977/5.1.1

**OPERATING SPECIFICATIONS:**

LINE VOLTAGE/CURRENT: 3 AMP, 120/250 VAC  
2.75 AMP./40°C, 250 VAC  
LINE FREQUENCY: 50-60Hz

MAX. LEAKAGE CURRENT, EACH: .3 mA AT 120V 60Hz  
LINE TO GROUND: .5 mA at 250V 50Hz

OPERATING AMBIENT TEMP. RANGE: -10°C TO +40°C @ RATED CURRENT,  $I_r$

IN AN AMBIENT,  $T_a$ , HIGHER THAN 40°C, THE MAXIMUM OPERATING CURRENT,  $I_o$ , IS AS FOLLOWS:

$$I_o = I_r \sqrt{\frac{85 - T_a}{45}}$$

**RELIABILITY SPECIFICATIONS:**

STORAGE TEMPERATURE: -40°C TO +85°C  
HUMIDITY: 21 DAYS @ 40°C 95% RH  
CURRENT OVERLOAD TEST: 6 TIMES RATED CURRENT FOR 8 SECONDS

**TEST SPECIFICATIONS:**

INDUCTANCE: 36.8 mH NOMINAL  
CAPACITANCE: (MEASURED @ 1 KHz, 0.25VAC MAX., 25°C±1°C)  
LINE TO GROUND: .008 µF ±20%  
LINE TO LINE: .94 µF ±20%  
DISCHARGE RESISTOR: 330KΩ

LINE/GROUND AND LINE/LINE: 6000MΩ (MIN AT 100VDC)  
INSULATION RESISTANCE: 20°C AND 50% RH

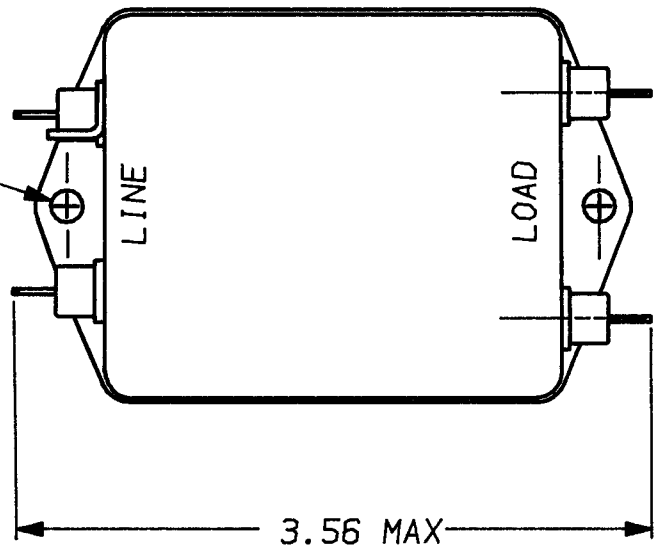
**RECOMMENDED RECEIVING INSPECTION HIPOT:**

LINES TO GROUND: 2250 VDC FOR 1 MINUTE  
LINE TO LINE: 1450 VDC FOR 1 MINUTE

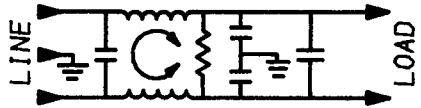
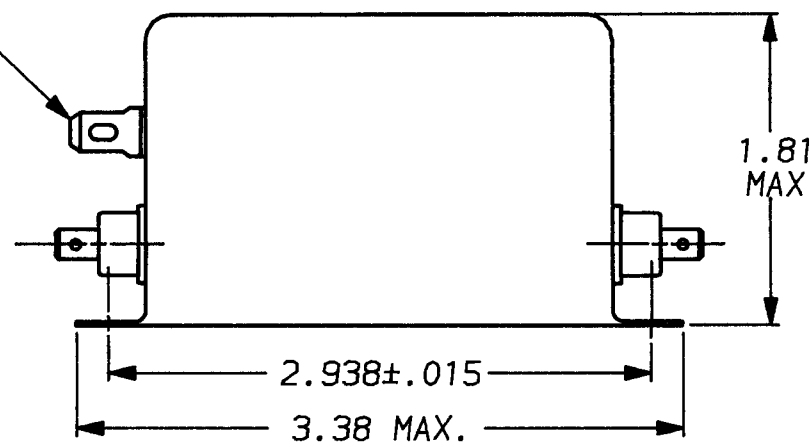
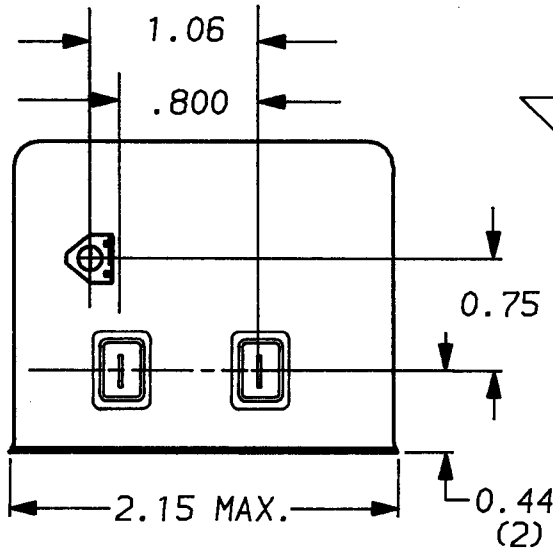
**FILTER APPROVAL:**

THE BEST WAY TO SELECT AND QUALIFY A FILTER IS FOR YOUR ENGINEERING TO TEST THE UNIT IN YOUR EQUIPMENT.

0.187±.010 DIA (2)



0.069 X 0.155 SLOT



**50a - 50a (MINIMUM) INSERTION LOSS**

FREQUENCY MHz	.01	.03	.05	.15	.5	1	2	5	8	10	20	30
COMMON dB	22	32	36	46	47	44	43	40	40	42	42	42
DIFF. dB	3	1	30	61	70	70	70	50	50	50	50	55

UNLESS OTHERWISE SPECIFIED, TOLERANCE TO BE ±.025  
MATERIAL & FINISH: AS SUPPLIED  
This document is proprietary to CORCOM INC. and is not to be reproduced nor used for manufacturing purposes except on CORCOM'S prior written consent.



**POWER LINE FILTER**

DATE: 9-28-93  
APPROV: T A M  
CATALOG NO. 3ET1  
ALTERNATE CONSTRUCTION SET1.05  
CAD NO.

# Mouser Electronics

Authorized Distributor

Click to View Pricing, Inventory, Delivery & Lifecycle Information:

[TE Connectivity:](#)

[3ET1](#)