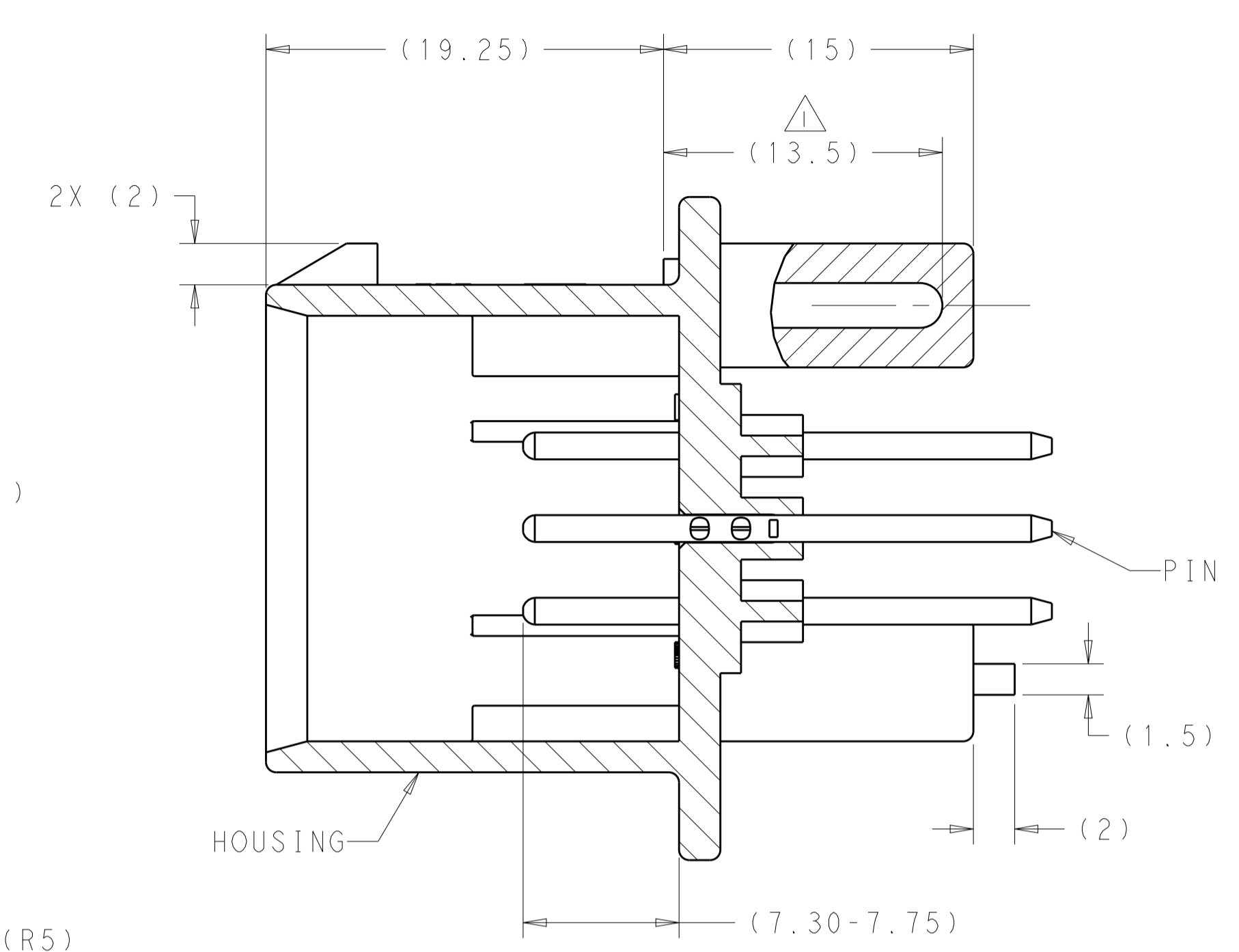
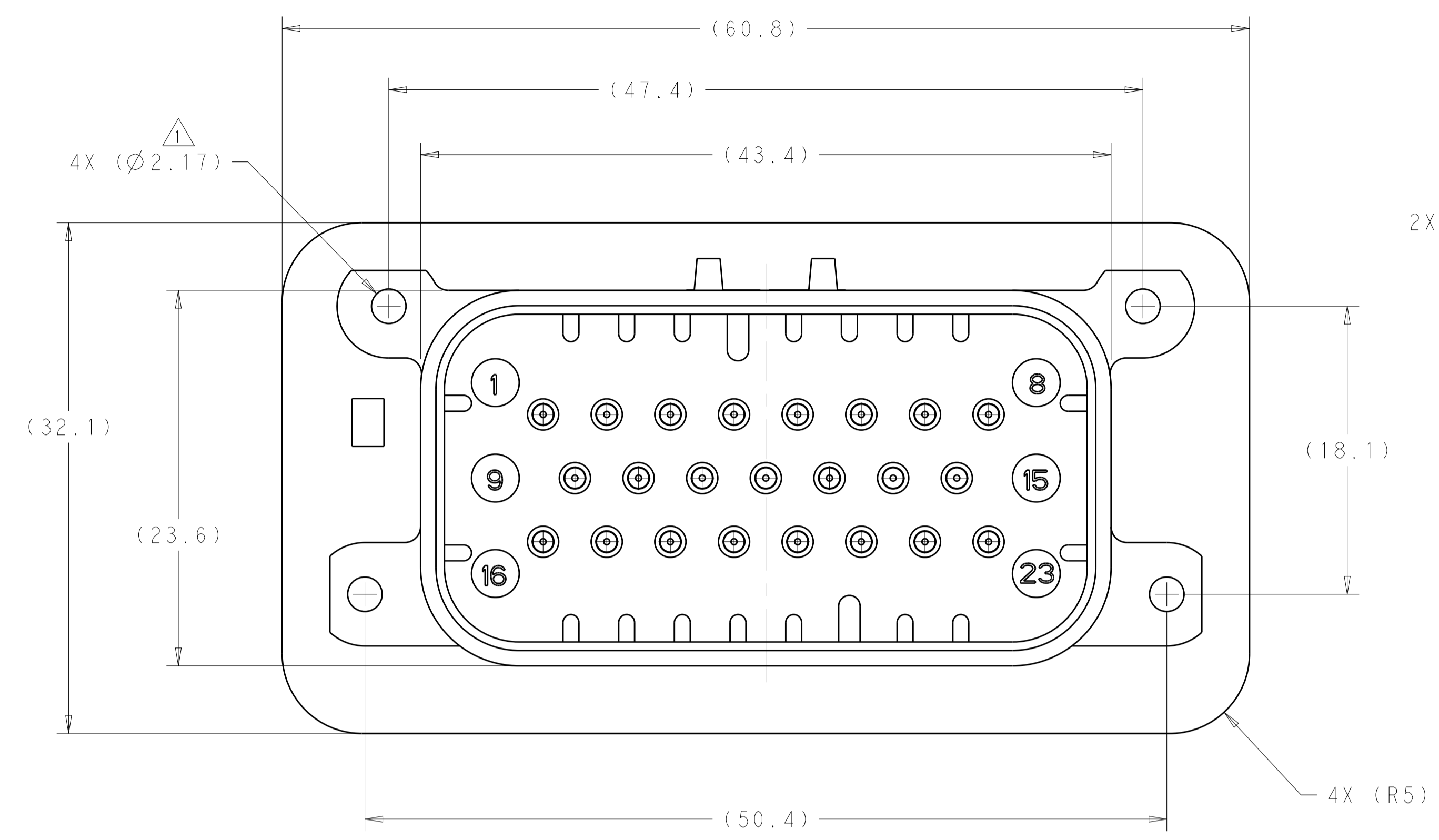
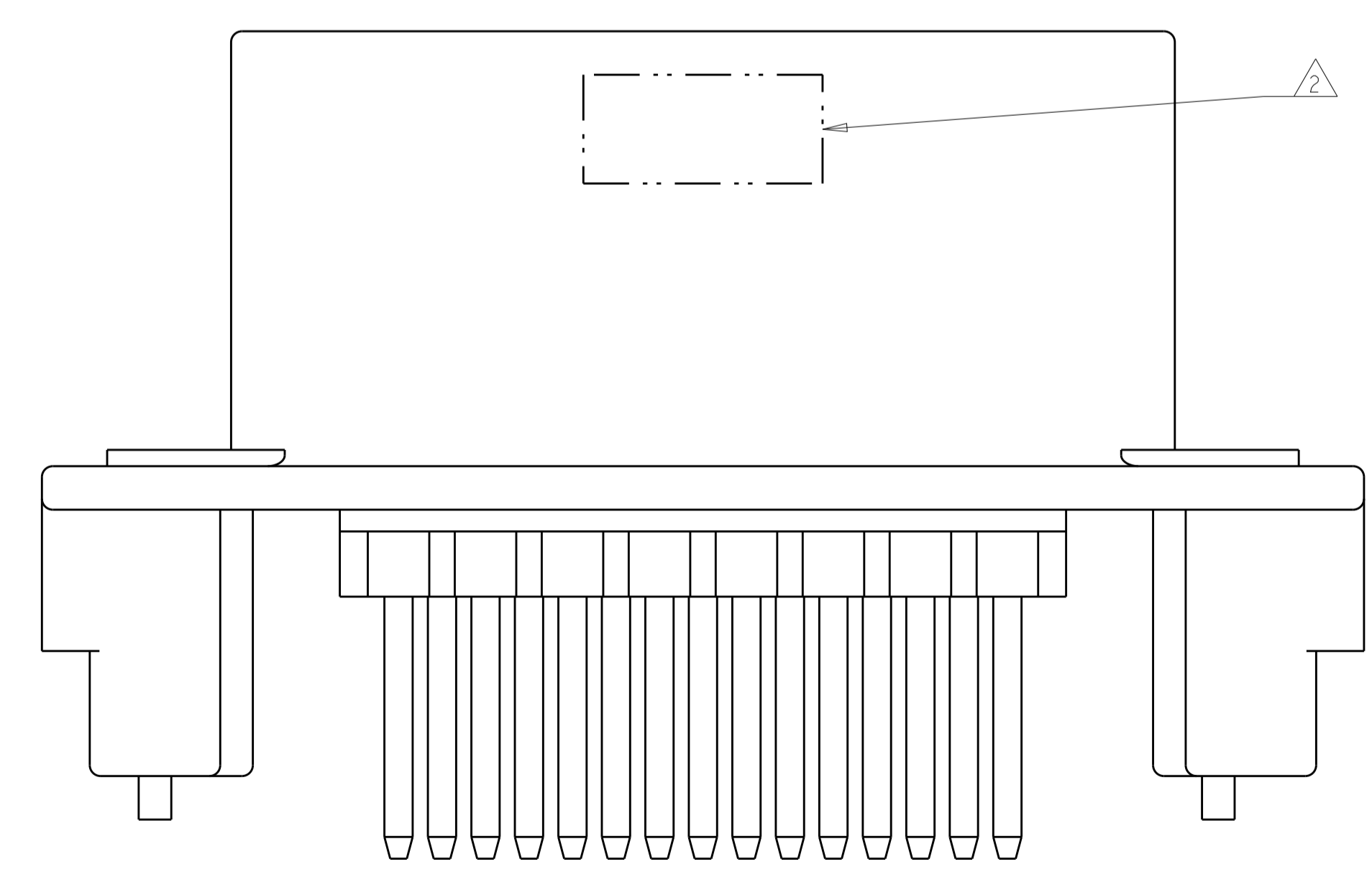


REVISIONS				
P.	LTN	DESCRIPTION	DATE	APP'D
D11		REVISED PER ECO-15-000100	22JAN2015	DD DS
D12		REVISED PER ECO-15-003872	25MAR2015	DD DS
D13		REVISED PER ECO-16-003526	09MAR2016	JM DS
D14		REVISED PER ECO-19-009419	20JUN2019	DS DS



SECTION A-A

- △ ACCEPTS SCREW SIZE [Ø0.99 (2.50mm)] SELF TAPPING THREAD FORMING SCREW TO BE DRIVEN AT 0.6-0.8 N-m
 - △ DATE CODE IN THIS LOCATION USING 5 DIGIT CODE
 FIRST 2 DIGITS = YEAR, SECOND 2 DIGITS = WEEK
 LAST DIGIT = DAY.
 - △ MATERIALS: HEADER HOUSING - GLASS FILLED PBT
 PINS - TIN OR GOLD PLATED BRASS
 - △ HOUSING COLORS ARE MECHANICALLY KEYED TO MATE ONLY WITH IDENTICALLY COLORED PLUG ASSEMBLIES.
5. HEADER MATES TO PLUG ASSEMBLY 770680 WHICH USES REELED TERMINAL 770520 OR LOOSE PIECE TERMINAL 770854

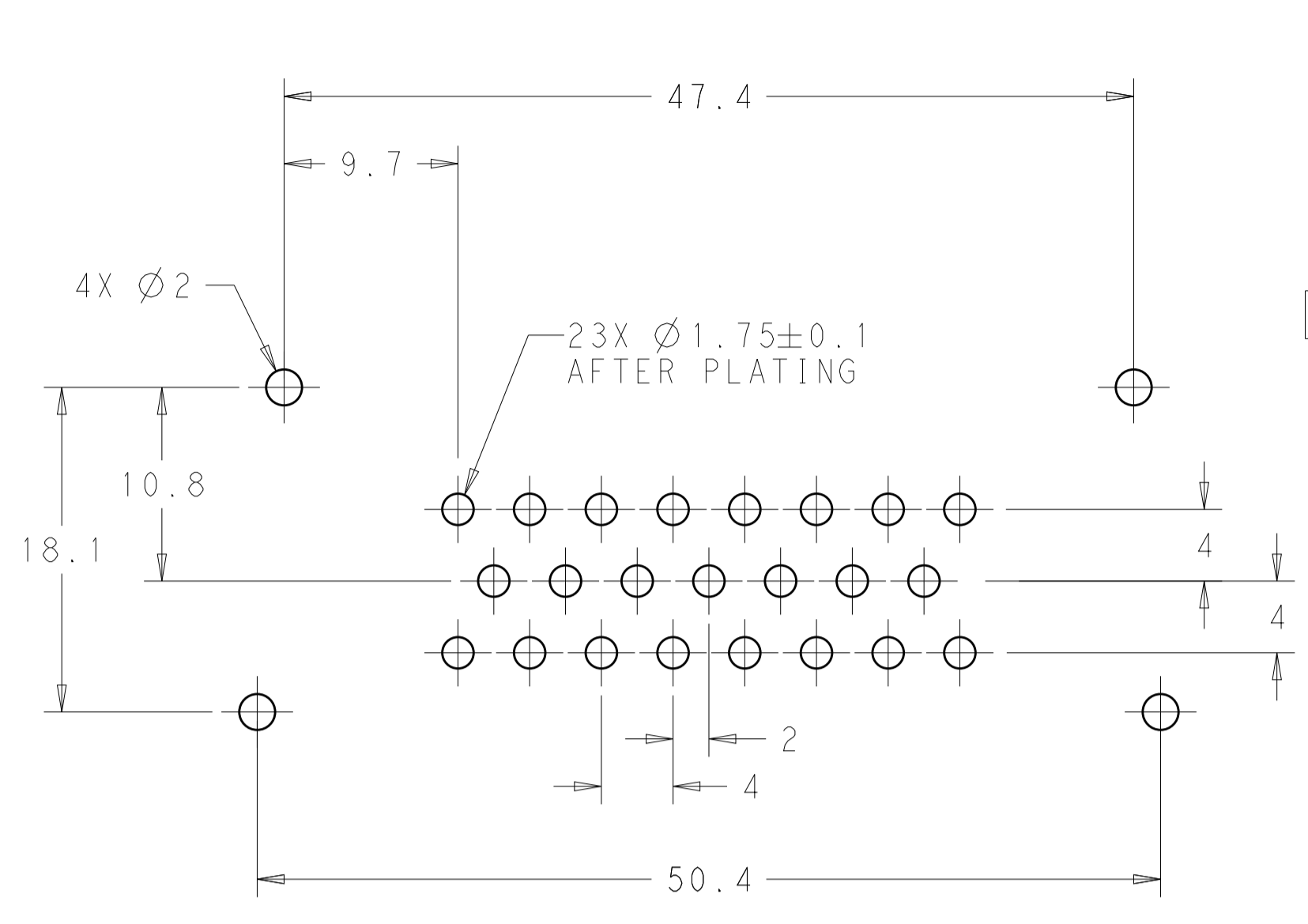


776200-1 & 1-776200-1 SHOWN

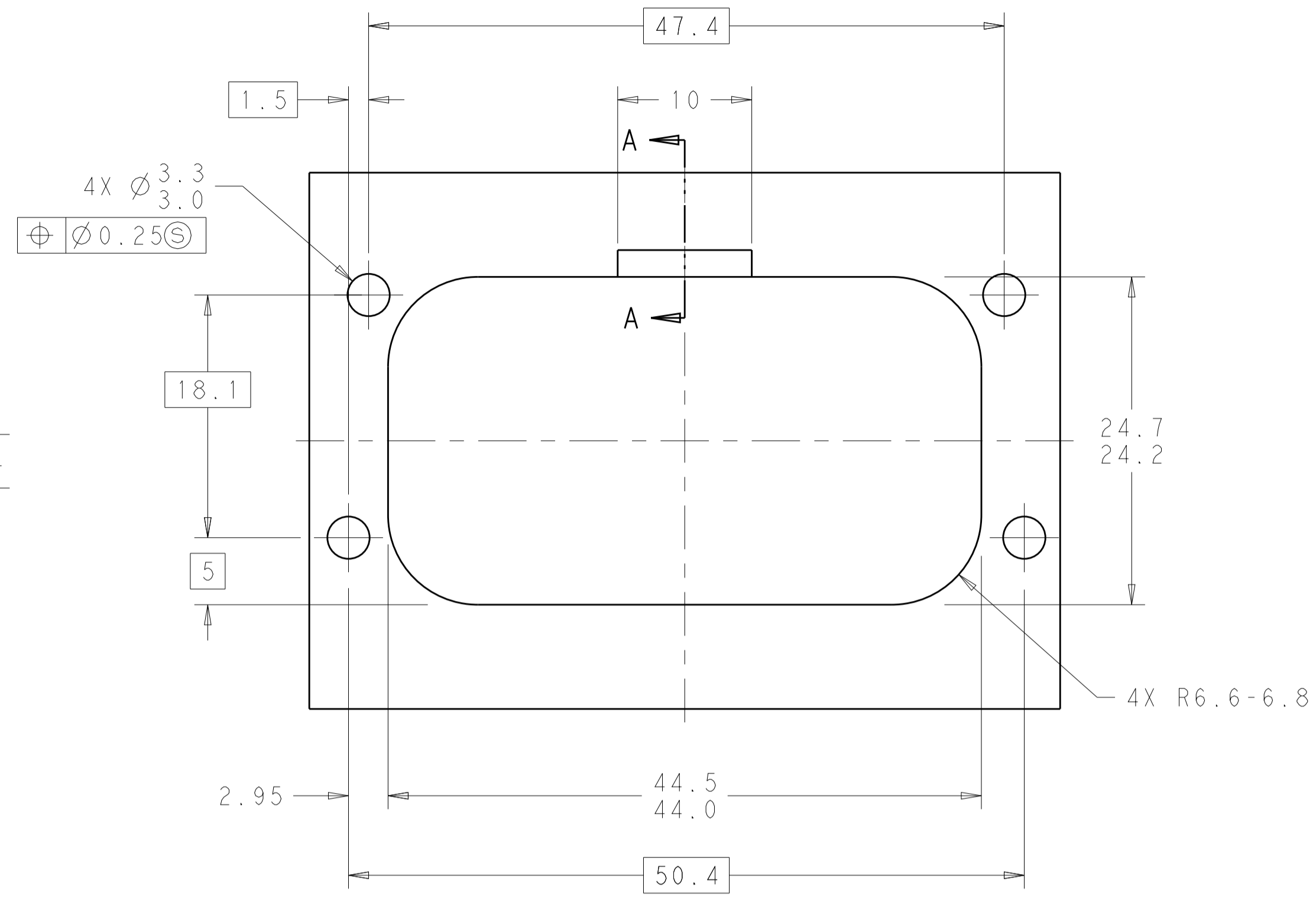
HEADER COLOR	PLATING	PART NUMBER
BLUE	GOLD	1-776200-5
GRAY	GOLD	1-776200-4
NATURAL	GOLD	1-776200-2
BLACK	GOLD	1-776200-1
BLUE	TIN	776200-5
GRAY	TIN	776200-4
NATURAL	TIN	776200-2
BLACK	TIN	776200-1

THIS DRAWING IS A CONTROLLED DOCUMENT.		OWN D. STRAUSSER 04FEB2010	TE Connectivity	
DIMENSIONS: mm		CHK D. STRAUSSER 22MAR2010		
TOLERANCES UNLESS OTHERWISE SPECIFIED:		APVD D. STRAUSSER 27APR2010		
0 PLC ±0.2	1 PLC ±0.2	PRODUCT SPEC 108-1329	NAME: HEADER ASSEMBLY, 23 POSITION, VERTICAL, AMPSEAL	
2 PLC ±0.2	3 PLC ±0.2	APPLICATION SPEC 114-16016	SIZE: CAGE CODE: DRAWING NO: A100779	
4 PLC ±0.2	ANGLES ±0.5	WEIGHT 22.48g	RESTRICTED TO: -	
MATERIAL	FINISH	CUSTOMER DRAWING	SCALE 4:1 SHEET 1 OF 2 REV 014	

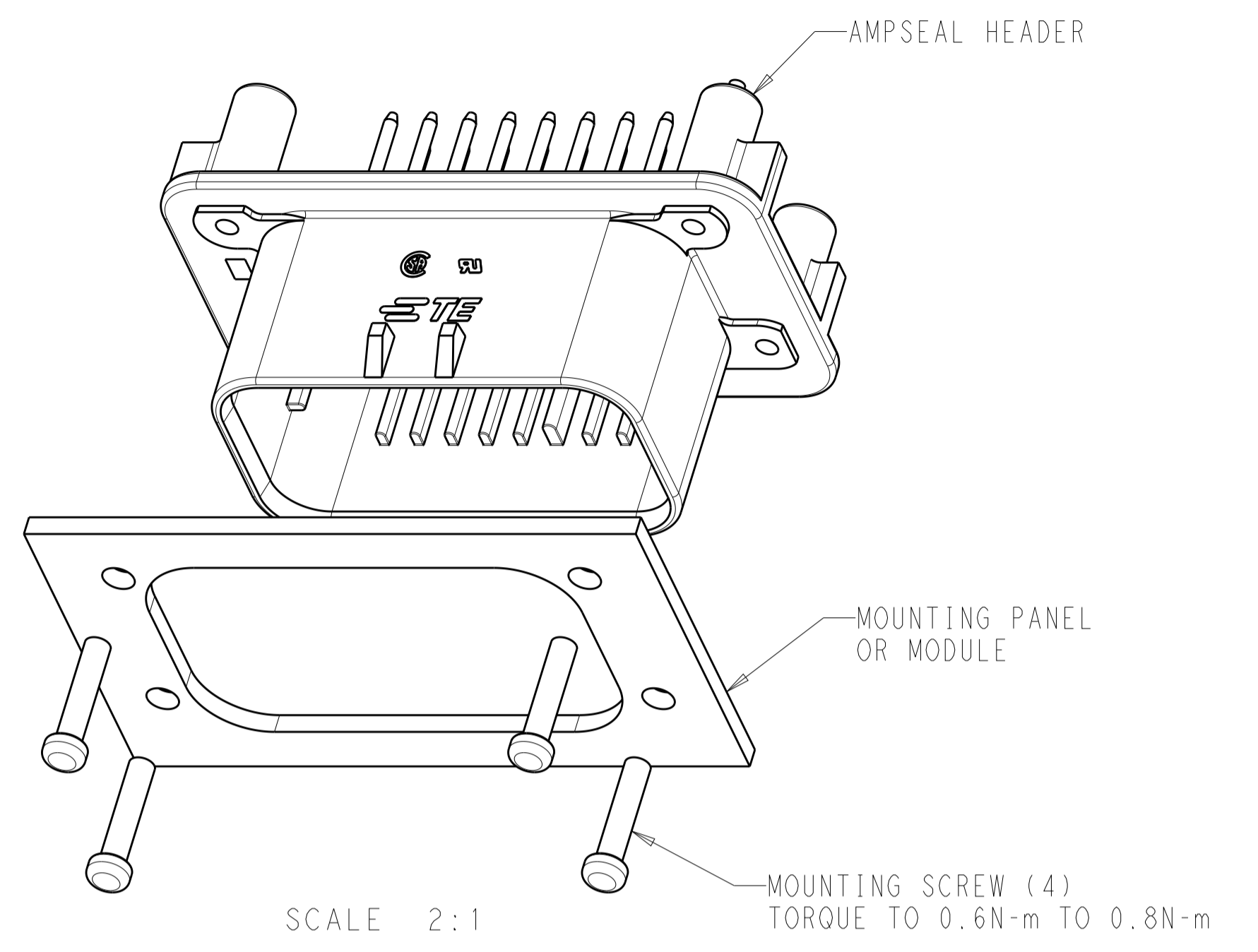
REVISIONS				
P.	LTN	DESCRIPTION	DATE	APPV
-	-	SEE SHEET 1	-	-



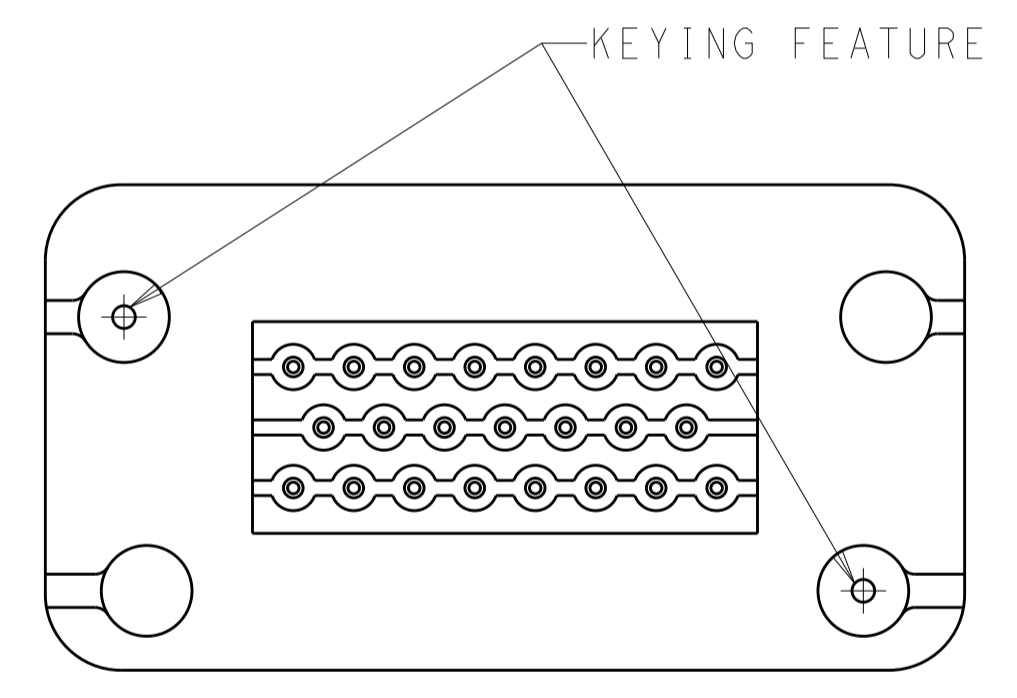
RECOMMENDED P.C. BOARD LAYOUT
 FOR 1.57 THICK P.C. BOARD



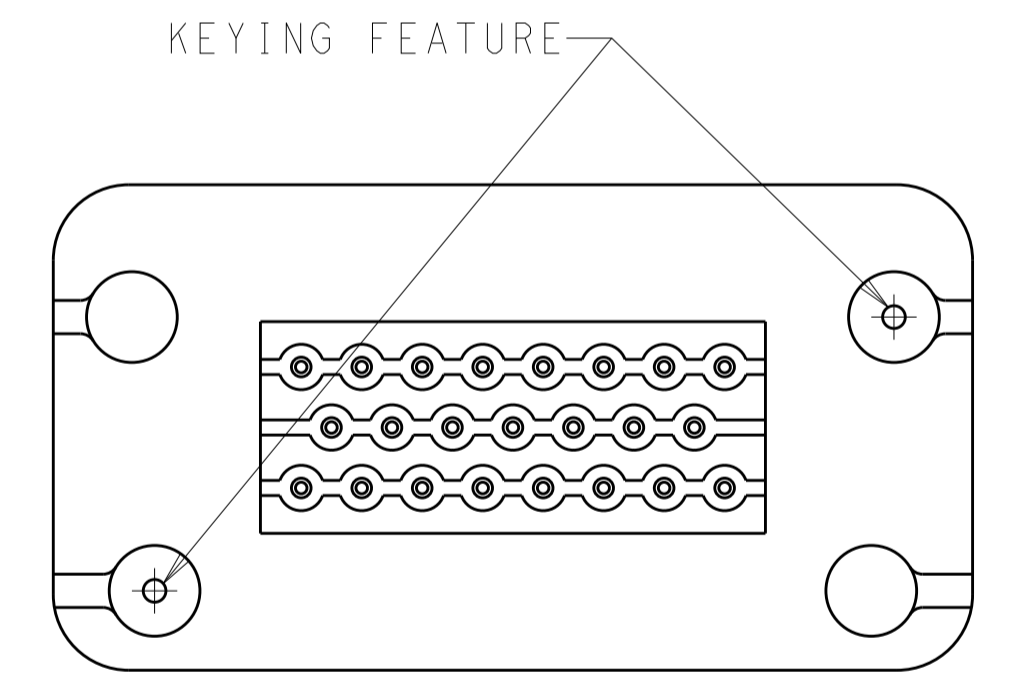
RECOMMENDED MOUNTING HOLE LAYOUT
 FOR 5.0 MAX THICK PANEL



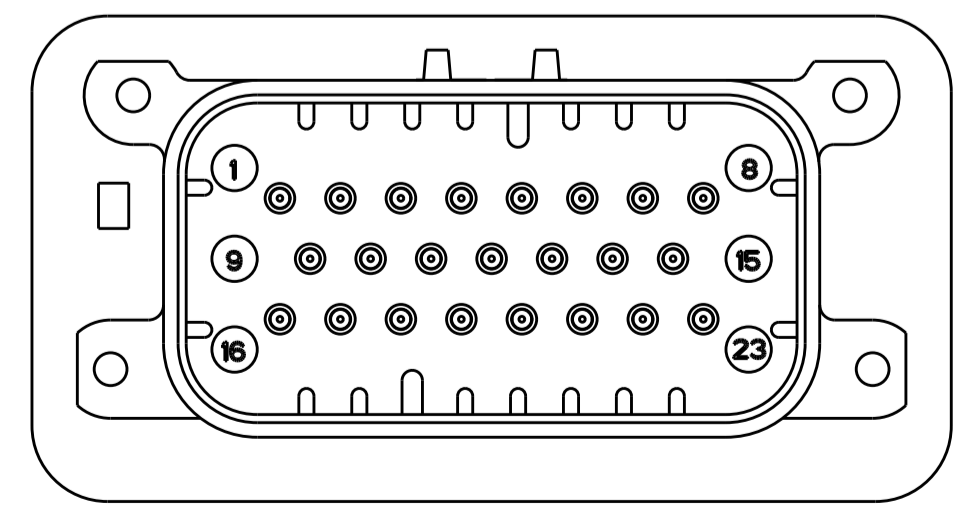
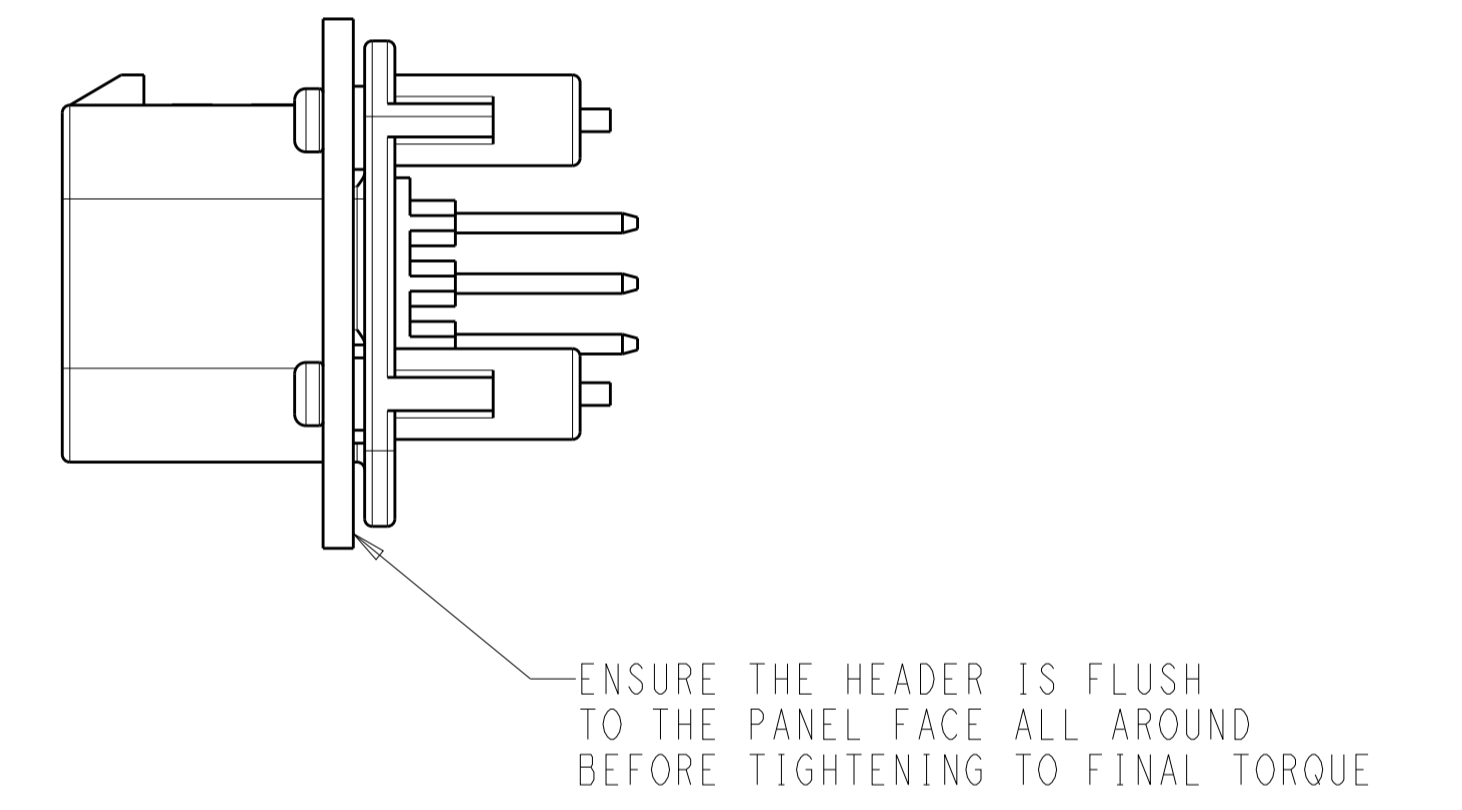
SCALE 2:1



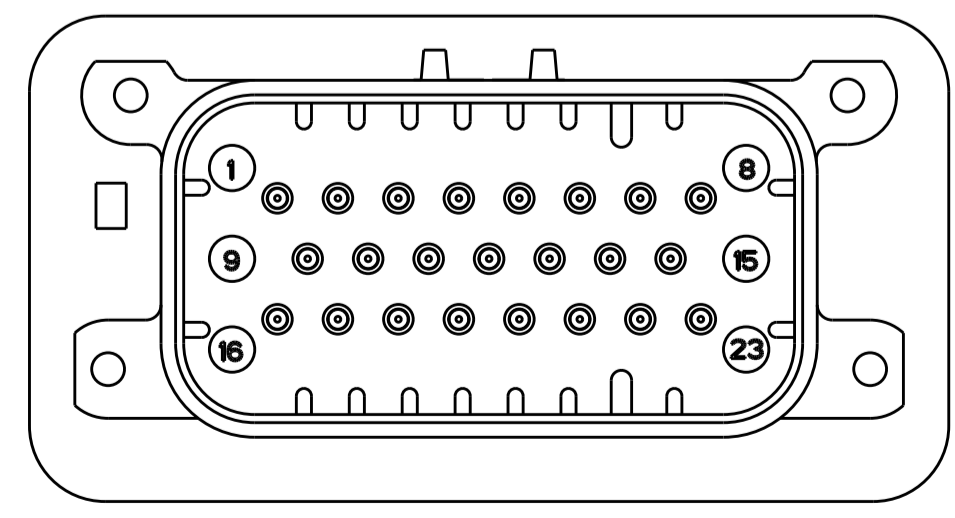
KEYING FOR 776200-1 AND 776200-5
 SCALE 2:1



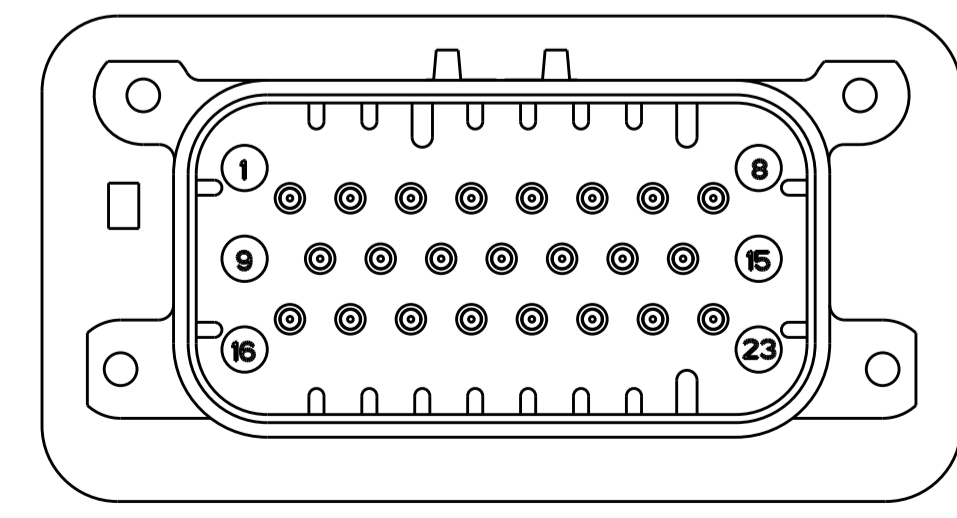
KEYING FOR 776200-2 AND 776200-4
 SCALE 2:1



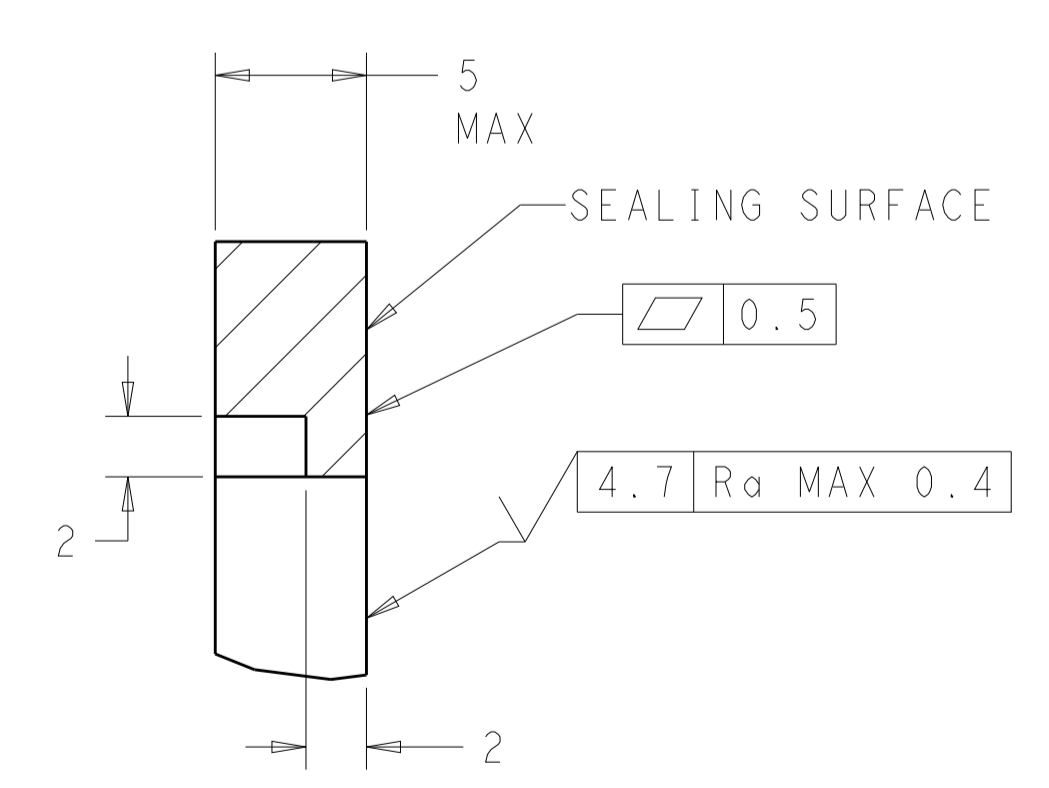
776200-2 & 1-776200-2
 KEY LOCATION
 SCALE 2:1



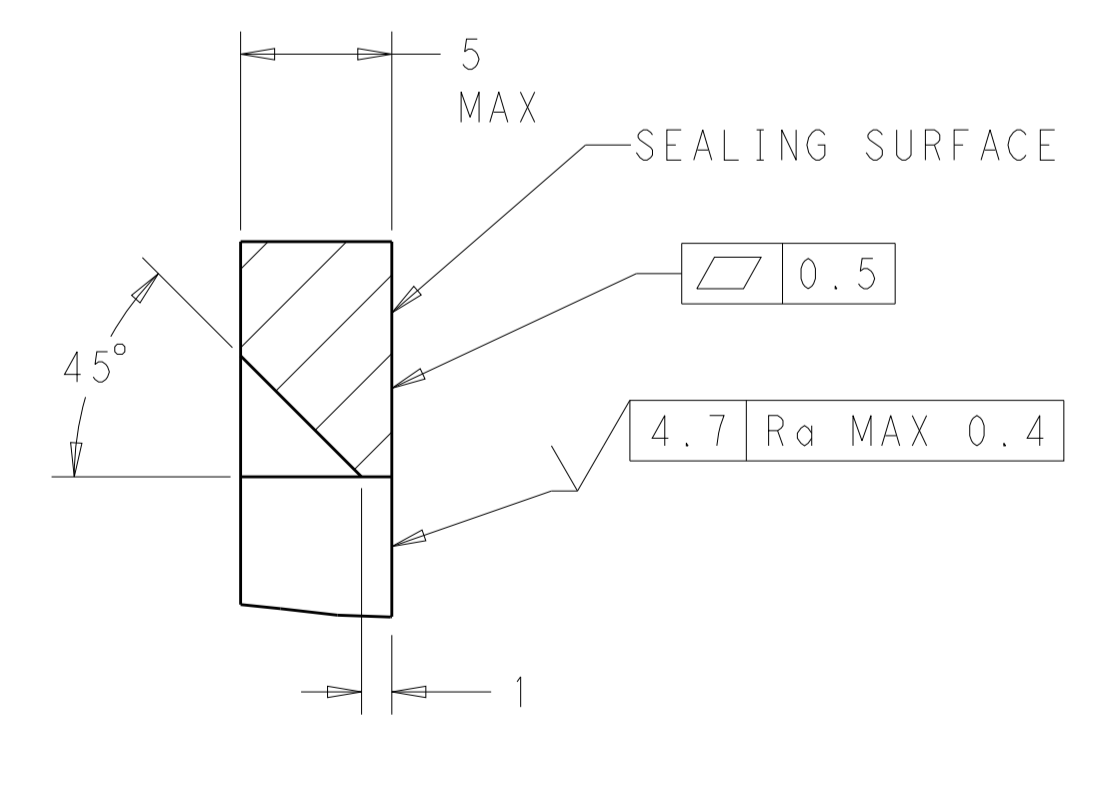
776200-4 & 1-776200-4
 KEY LOCATION
 SCALE 2:1



776200-5 & 1-776200-5
 KEY LOCATION
 SCALE 2:1



SECTION A-A
 OPTIONAL CONSTRUCTION IF PANEL
 THICKNESS IS GREATER THAN 2.0
 SCALE 4:1



SECTION A-A
 OPTIONAL CONSTRUCTION IF PANEL
 THICKNESS IS GREATER THAN 2.0
 SCALE 4:1

THIS DRAWING IS A CONTROLLED DOCUMENT.		OWN: D. STRAUSSER 04FEB2010	TE Connectivity
DIMENSIONS: mm		CHK: D. STRAUSSER 22MAR2010	
TOLERANCES UNLESS OTHERWISE SPECIFIED:		APPV: D. STRAUSSER 27APR2010	NAME: HEADER ASSEMBLY, 23 POSITION, VERTICAL, AMPSEAL
0 PLC ±0.2		PRODUCT SPEC: 108-1329	
1 PLC ±0.2		APPLICATION SPEC: 114-16016	SIZE: CAGE CODE DRAWING NO: A100779 WEIGHT: 22.48g CUSTOMER DRAWING
2 PLC ±0.2		REVISIONS: 1	
3 PLC ±0.2		SCALE: 4:1	SHEET 2 OF 2 REV 014
4 PLC ±0.2		RESTRICTED TO:	
ANGLES ±0.5			
FINISH			