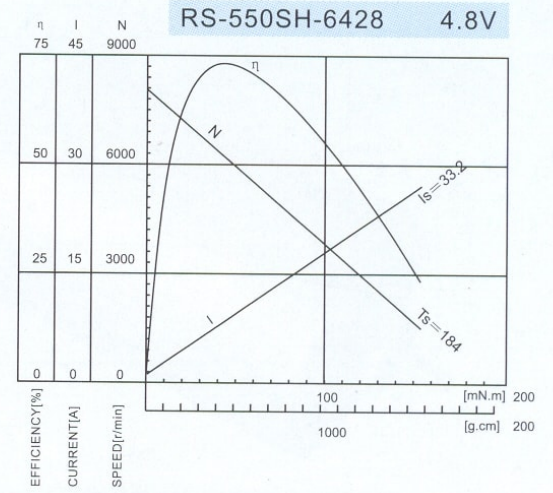


WEIGHT:190g(APPROX)



RS-550/555SH

OUTPUT: APPROX 3.0W-70W

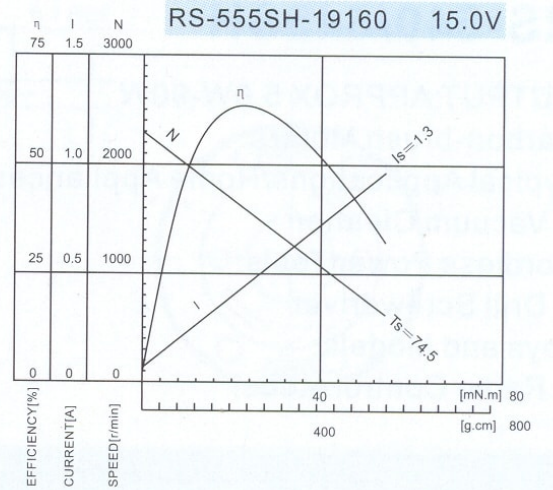
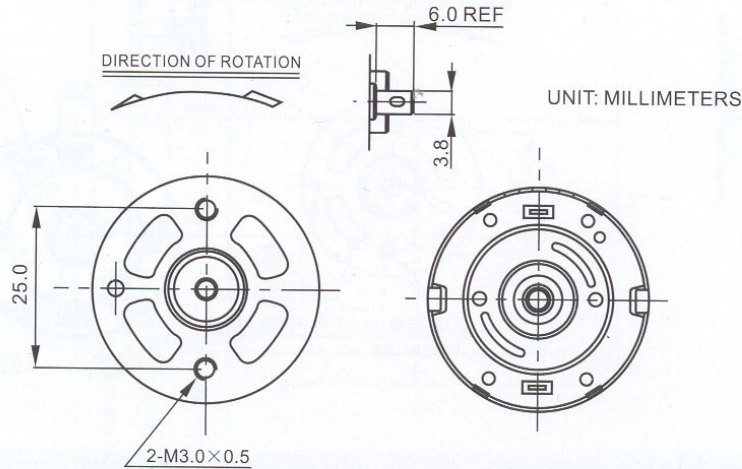
Carbon-brush Motors

Typical Applications/Cordless Power Tools:

- Drill
- Screwdriver
- Air Compressor
- Cordless Garden Tool

Toys and Models:

- Ride-on Toy
- Radio Control Model



| MODEL | VOLTAGE | | NO LOAD | | AT MAXIMUM EFFICIENCY | | | | STARTING | | | |
|----------------|-----------------|---------|---------|---------|-----------------------|---------|--------|------|----------|--------|------|---------|
| | OPERATING RANGE | NOMINAL | SPEED | CURRENT | SPEED | CURRENT | TORQUE | | OUTPUT | TORQUE | | CURRENT |
| | | | r/min | A | r/min | A | mN.m | g.cm | W | mN.m | g.cm | A |
| RS-550SH-6428 | 3.6~7.2 | 4.8V | 8050 | 1.11 | 6800 | 6.08 | 28.5 | 291 | 21.2 | 184 | 1880 | 33.2 |
| RS-555SH-19160 | 12~30 | 15.0V | 2300 | 0.07 | 1800 | 0.30 | 14.0 | 143 | 2.64 | 74.5 | 760 | 1.3 |