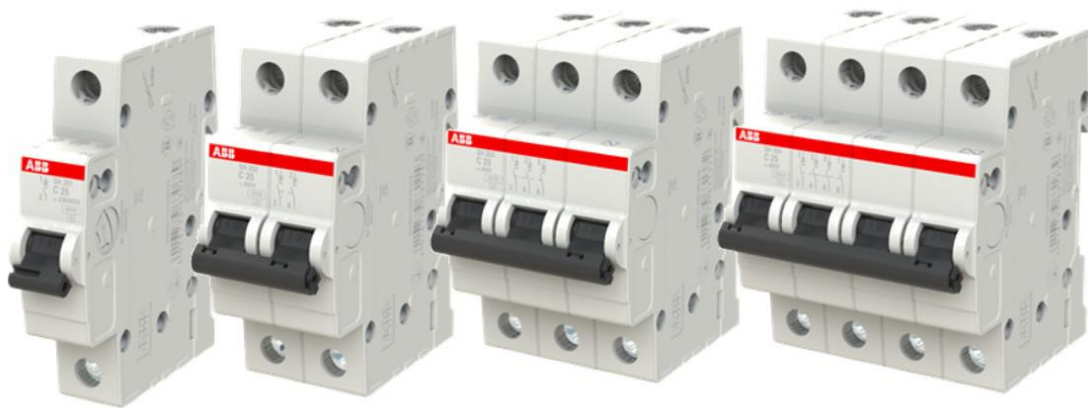


## — SH200 all variants

# End of Life Instruction

Decommissioning instructions available to enable responsible recycling or disposal



PREPARED 2023-05-05    Stefan Michel	DOCUMENT KIND EoL Instructions	SECURITY LEVEL Public		
OWNING ORGANIZATION ABB - ELSB	DOCUMENT ID. 9AKK108468A3121	REV. A	LANG. en	PAGE 1/5

# Contents

- 1. Purpose and Basic Description ..... 3**
- 2. Dismantling instructions ..... 3**
  - 2.1. More than 1 pole product:.....3
  - 2.2. 1 pole product:..... 4
- 3. Constituent materials ..... 5**
- 4. Additional Information..... 5**

# 1. Purpose and Basic Description

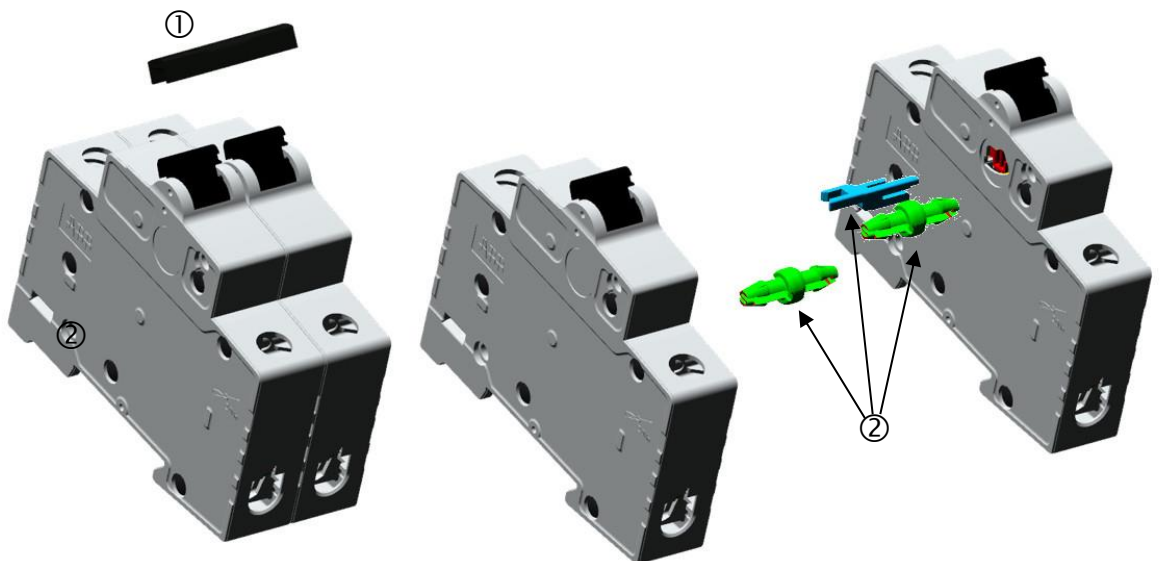
This product family is in the scope of European Union directive 2012/19/EU on Waste Electrical and Electronic Equipment (WEEE). The product family must be disposed according to the legislation of the country. This end-of-life instruction is intended for use by customers and recycling companies which outline the responsible recycling or disposal method of the ABB product.

S200 MCB is designed to be used in installations where medium breaking capacities are required to protect against short-circuits and overloads.

## 2. Dismantling instructions

### 2.1. More than 1 pole product:

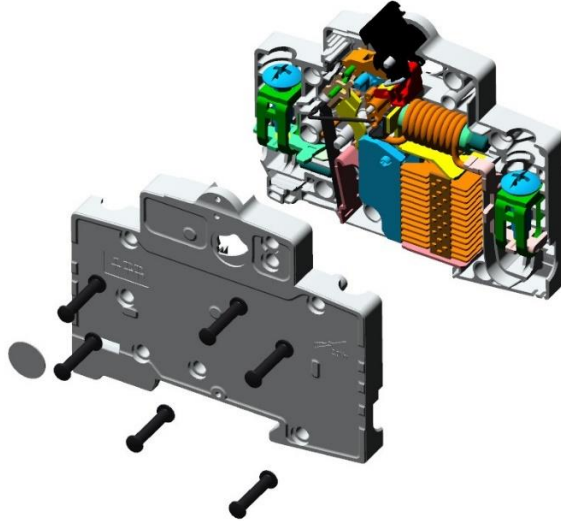
In case of more than 1 pole, first, the handle toggle<sup>(1)</sup> and some intermediate pieces<sup>(2)</sup> should be removed to split the product into simple poles.



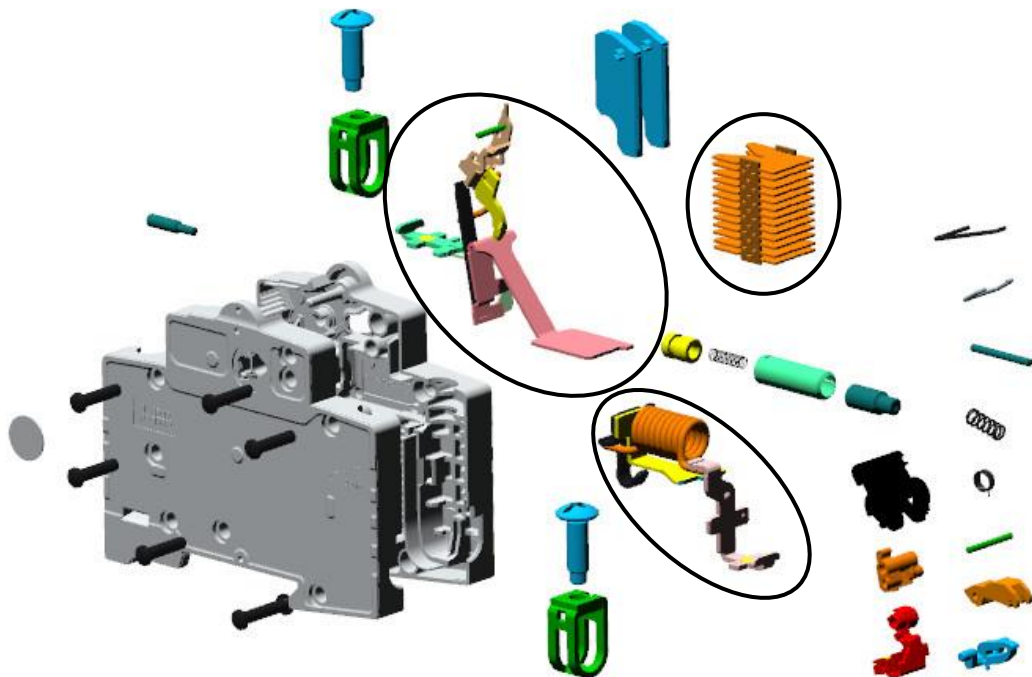
## 2.2. 1 pole product:

On that point, all single poles will be dismantling on the same way.

Firstly, remove the rivets, then you will be able to take out the cover and access to all the internal parts.



The different parts will be extracted until reaching the configuration of the figure below.



\*Rounded parts have soldered or riveted pieces that cannot be manually disassembled.

### 3. Constituent materials

Plastics		Metals		Packaging	
PA	31.2%	Steel	47.7%	Cardboard	9.2%
POM	1.5%	Copper	6.4%	Others	0.1%
Others	0.9%	Aluminum	2.4%		
		Others	0.6%		

\*% of total weight for one pole.

### 4. Additional Information

<b>Weight per Pole</b>	116.26 g
<b>Overall dimensions (H x D x W)</b>	85 x 69 x 17.5 mm
<b>Recyclability rate</b>	90.8%