

CUSTOMER PRINT

PART NUMBER: W6282-XPG-P-5XX

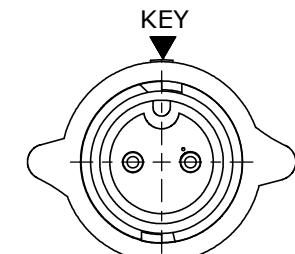
NOTES:

1. ALL PARTS TO BE BULK PACKED.
2. ALL DIMENSIONS ARE REFERENCE EXCEPT THOSE WITH A TOLERANCE
3. DIMENSIONS IN BRACKETS [] ARE IN MILLIMETERS

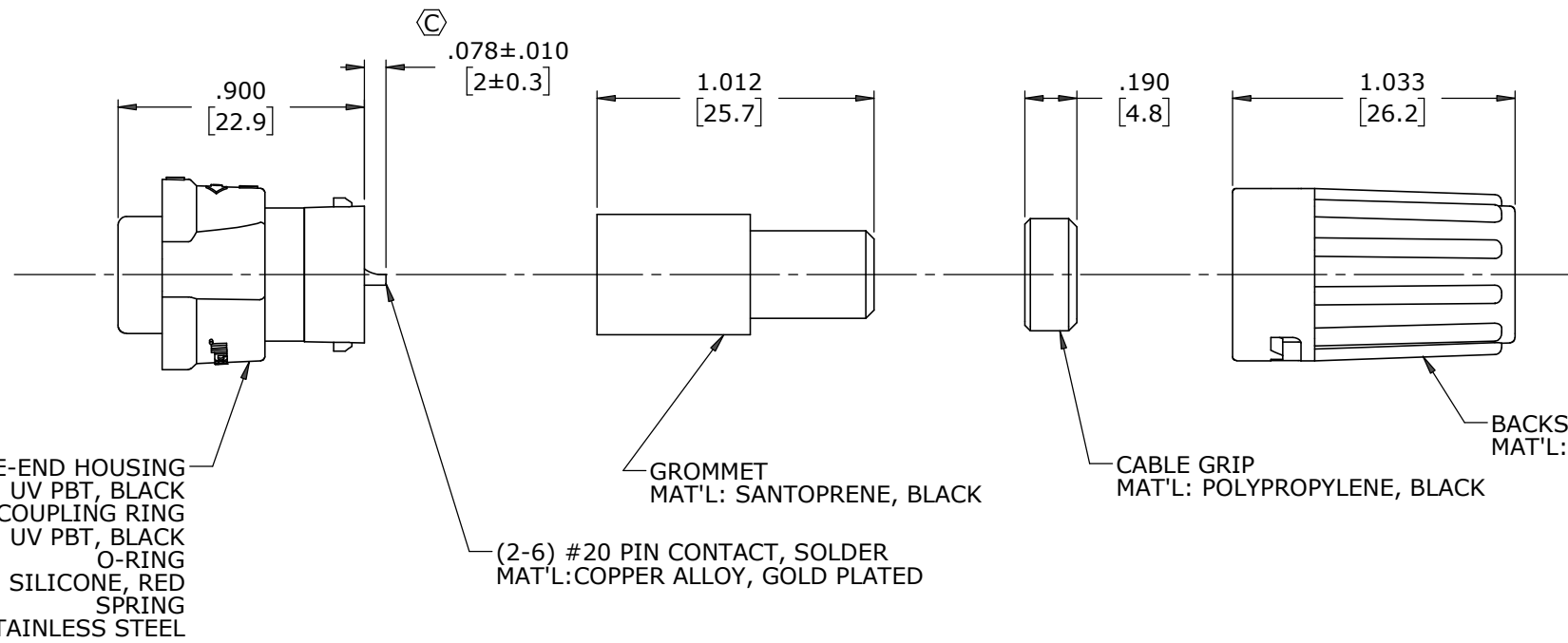
ASS'Y P/N	GROMMET SIZE
W6282-XPG-P-513	.148 GROMMET I.D. FOR CABLE O.D. 0.13 - 0.15 [3.3 - 3.8]
W6282-XPG-P-516	.176 GROMMET I.D. FOR CABLE O.D. 0.16 - 0.18 [4.1 - 4.6]
W6282-XPG-P-519	.206 GROMMET I.D. FOR CABLE O.D. 0.19 - 0.21 [4.8 - 5.3]
W6282-XPG-P-522	.245 GROMMET I.D. FOR CABLE O.D. 0.22 - 0.25 [5.6 - 6.3]
W6282-XPG-P-526	.265 GROMMET I.D. FOR CABLE O.D. 0.25 - 0.27 [6.3 - 6.8]
W6282-XPG-P-528	.280 GROMMET I.D. FOR CABLE O.D. 0.26 - 0.28 [6.6 - 7.1]

ASSEMBLY P/N	CONTACTS
W6282-2PG-P-5XX	2 #20
W6282-3PG-P-5XX	3 #20
W6282-4PG-P-5XX	4 #20
W6282-5PG-P-5XX	5 #20
W6282-6PG-P-5XX	6 #20
W6282-XPG-P-5XX	

GROMMET SIZE
NUMBER OF CONTACTS



MATING FACE
W6282-2PG-P-5XX SHOWN



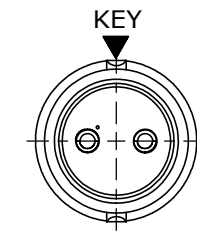
CABLE-END HOUSING
MAT'L: UV PBT, BLACK
COUPLING RING
MAT'L: UV PBT, BLACK
O-RING
MAT'L: SILICONE, RED
SPRING
MAT'L: STAINLESS STEEL

GROMMET
MAT'L: SANTOPRENE, BLACK

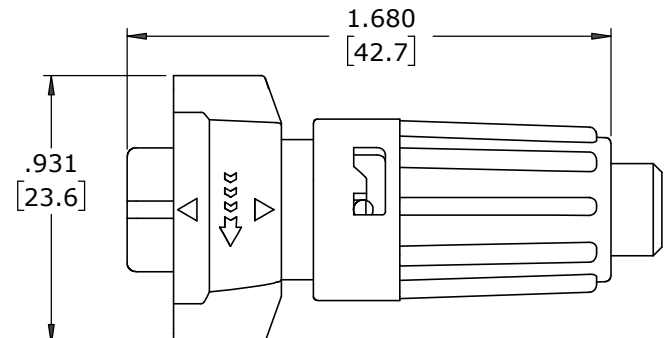
(2-6) #20 PIN CONTACT, SOLDER
MAT'L: COPPER ALLOY, GOLD PLATED

CABLE GRIP
MAT'L: POLYPROPYLENE, BLACK

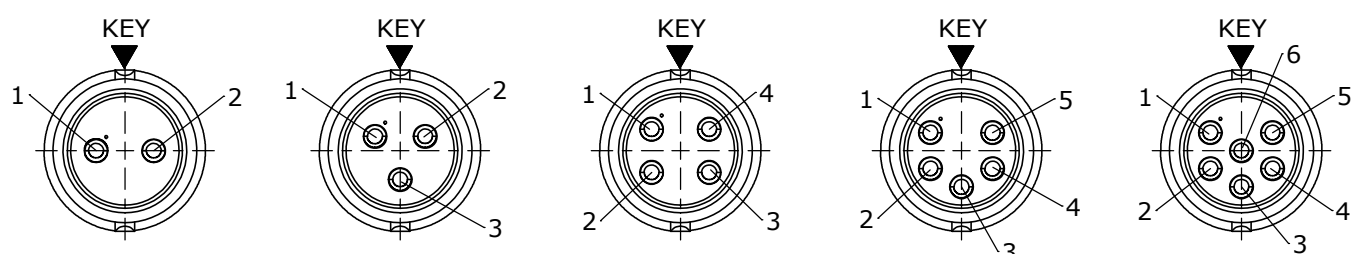
BACKSHELL
MAT'L: UV PBT, BLACK



WIRING END
W6282-2PG-P-5XX SHOWN
WITHOUT HARDWARE



SHOWN ASSEMBLED
FOR CUSTOMER REFERENCE ONLY



WIRING END W6282-2PG-P-5XX
WIRING END W6282-3PG-P-5XX
WIRING END W6282-4PG-P-5XX
WIRING END W6282-5PG-P-5XX
WIRING END W6282-6PG-P-5XX

CUSTOMER APPROVAL

THIS DOCUMENT CONTAINS CONFIDENTIAL INFORMATION PROPRIETARY TO CONXALL CORPORATION. ANY REPRODUCTION, DISCLOSURE, OR USE OF THIS DOCUMENT /INFORMATION IS EXPRESSLY PROHIBITED UNLESS AUTHORIZED IN WRITING BY CONXALL CORPORATION.

APPROVED BY: _____
DATE: _____

RoHS COMPLIANT

REV.	INIT.	DATE	DESCRIPTION
C	MA	02-24-21	ADDED W6282-XPG-P-526 TO CHART. ADDED TOLERANCE TO CONTACT HEIGHT PER ECR 9544
B	MA	02-12-20	INSERT LENGTH WAS .890, CONTACT HEIGHT WAS .088 PER PDR 16014 DCR DATED 2-6-20
A	MA	01-10-20	RELEASED PER PDR 16014
	PNK	01-15-18	PDR 16014

ALL INFORMATION ILLUSTRATED IS THE PROPERTY OF "CONXALL CORPORATION". UNAUTHORIZED DUPLICATION OR DISTRIBUTION OF THIS DOCUMENT IS PROHIBITED.	ORIG. DRAWN BY: PNK DATE: 01-15-18	
ALL UNITS ARE IN FEET, INCHES, FRACTION OF INCHES AND DECIMALS. UNLESS OTHERWISE SPECIFIED TOLERANCES: 3 PLACE DECIMALS ±.010 ANGLES ±1° FRACTIONS ±1/16	CHECKED BY:	
APPROVED BY:	APPROVED BY:	TITLE: CABLE-END ASSEMBLY 2-6 #20 PIN CONTACTS, SOLDER INSTA-CLICK™ MINI-CON-X
SCALE: NTS	SIZE: B	SHEET: 1 OF 1
FILE: W6282-XPG-P-5XX	DIRECTORY: SLW	CUSTOMER: STANDARD PRODUCT
PART NUMBER: W6282-XPG-P-5XX		REV: c

Mouser Electronics

Authorized Distributor

Click to View Pricing, Inventory, Delivery & Lifecycle Information:

Switchcraft:

[W6282-5PG-P-528](#) [W6282-4PG-P-522](#) [W6282-5PG-P-516](#) [W6282-6PG-P-516](#) [W6282-6PG-P-526](#) [W6282-6PG-P-528](#) [W6282-4PG-P-516](#) [W6282-2PG-P-519](#) [W6282-4PG-P-526](#) [W6282-2PG-P-528](#) [W6282-3PG-P-522](#) [W6282-4PG-P-513](#) [W6282-6PG-P-513](#) [W6282-2PG-P-522](#) [W6282-3PG-P-528](#) [W6282-5PG-P-519](#) [W6282-4PG-P-519](#) [W6282-2PG-P-513](#) [W6282-3PG-P-516](#) [W6282-5PG-P-522](#) [W6282-2PG-P-526](#) [W6282-3PG-P-519](#) [W6282-3PG-P-513](#) [W6282-3PG-P-526](#) [W6282-2PG-P-516](#) [W6282-5PG-P-526](#) [W6282-5PG-P-513](#) [W6282-6PG-P-519](#) [W6282-6PG-P-522](#) [W6282-4PG-P-528](#)