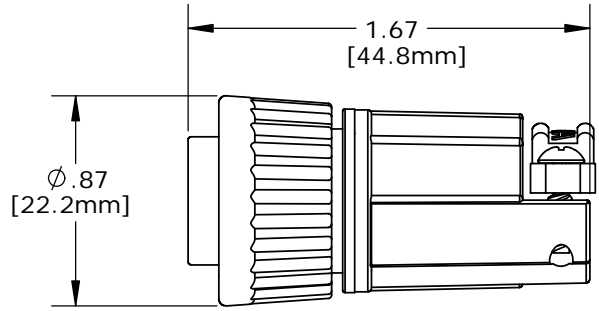


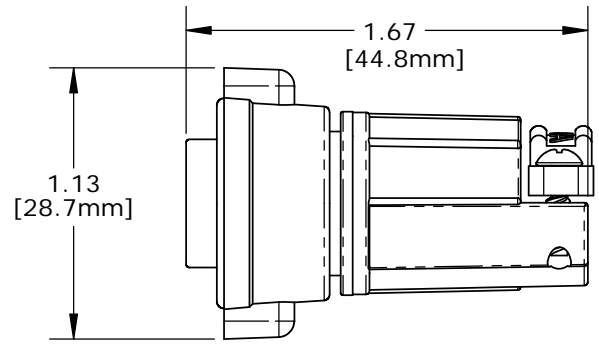
CUSTOMER PRINT

PART NUMBER: W3280-1XPG-5XX(W)

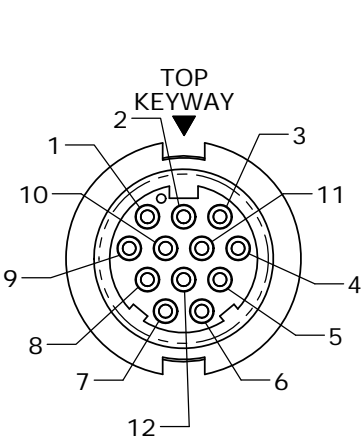
**NOTES:**  
 1. PARTS TO BE BULK PACKED.  
 2. ALL DIMENSIONS ARE REFERENCE ONLY.  
 DIMENSIONS IN BRACKETS [ ] ARE METRIC.



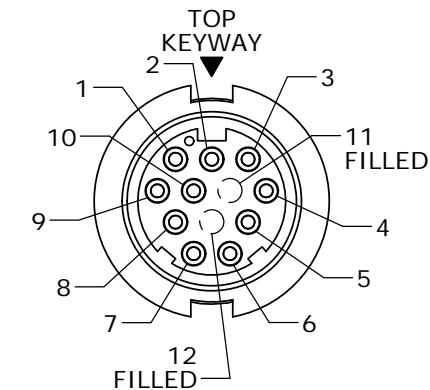
ASSEMBLED VIEW SHOWN WITH STANDARD COUPLING RING



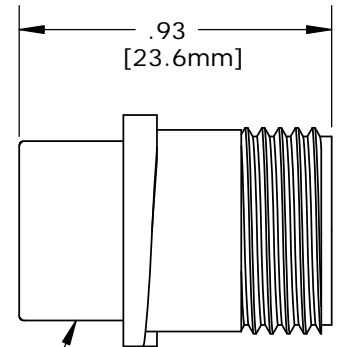
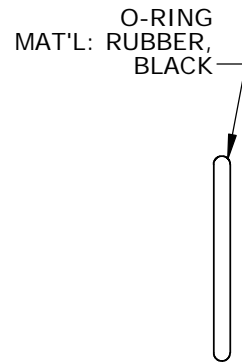
ASSEMBLED VIEW SHOWN WITH WINGED COUPLING RING



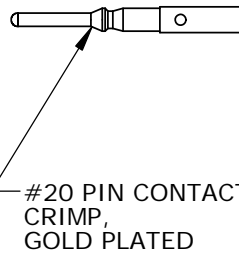
FACE VIEW  
W3280-12PG-5XX(W)



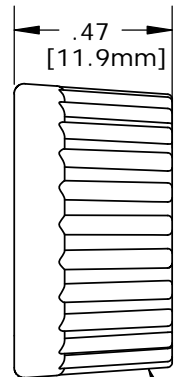
FACE VIEW  
W3280-10PG-5XX(W)



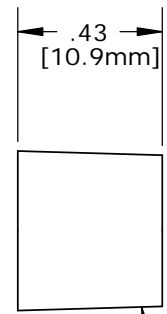
CABLE INSERT, MALE  
MAT'L: UV THERMOPLASTIC,  
BLACK



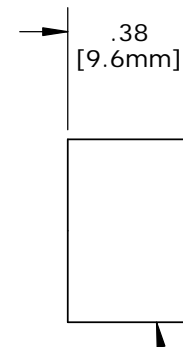
#20 PIN CONTACTS  
CRIMP,  
GOLD PLATED



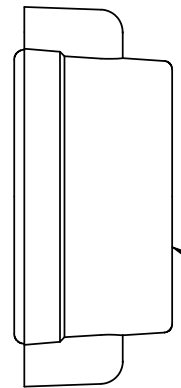
GROMMET,  
MAT'L: RUBBER,  
BLACK  
FOR CABLE O.D.  
SEE TABLE



SLEEVE  
MAT'L: THERMOPLASTIC,  
BLACK

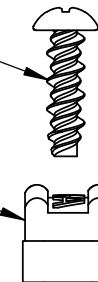


COUPLING RING  
MAT'L: UV THERMOPLASTIC,  
BLACK

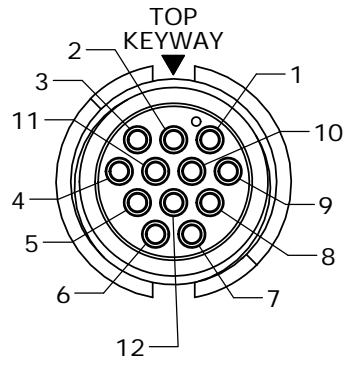
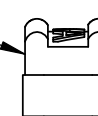


COUPLING RING, WINGED (OPTIONAL)  
MAT'L: UV THERMOPLASTIC,  
BLACK

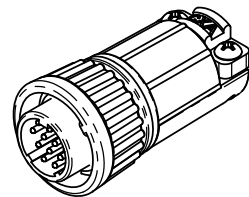
#4 HI/LO SCREW  
MAT'L: STAINLESS STEEL



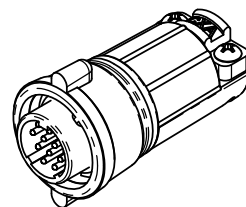
BACKSHELL STRAP  
MAT'L: UV THERMOPLASTIC,  
BLACK



WIRE VIEW



ASSEMBLED VIEW SHOWN WITH STANDARD COUPLING RING



ASSEMBLED VIEW SHOWN WITH WINGED COUPLING RING

KIT PART NO.	GROMMET SIZE TO FIT CABLE O.D.	DIA. "D"
W3280-1XPG-518(W)	0.18 - 0.20 [4.6-5.1mm]	Ø0.77 [19.6mm]
W3280-1XPG-521(W)	0.21 - 0.23 [5.3-5.8mm]	Ø0.77 [19.6mm]
W3280-1XPG-524(W)	0.24 - 0.27 [6.1-6.8mm]	Ø0.77 [19.6mm]
W3280-1XPG-528(W)	0.28 - 0.29 [7.1-7.4mm]	Ø0.77 [19.6mm]
W3280-1XPG-530(W)	0.30 - 0.32 [7.6-8.1mm]	Ø0.77 [19.6mm]
W3280-1XPG-535(W)	0.35 - 0.40 [8.9-10.2mm]	Ø0.83 [21.1mm]

(WING COUPLING RING OPTION)  
NO. OF CONTACTS

KIT P/N	NO. OF CONTACTS
W3280-10PG-5XX	(10) - #20
W3280-11PG-5XX	(11) - #20
W3280-12PG-5XX	(12) - #20
W3280-10PG-5XXW	(10) - #20
W3280-11PG-5XXW	(11) - #20
W3280-12PG-5XXW	(12) - #20

ADD W SUFFIX FOR WINGED COUPLING RING OPTION  
W3280-1XPG-5XX(W)

GROMMET SIZE SEE P/N LIST  
NO. OF CONTACTS

CUSTOMER APPROVAL

THIS DOCUMENT CONTAINS CONFIDENTIAL INFORMATION PROPRIETARY TO CONXALL CORPORATION. ANY REPRODUCTION, DISCLOSURE, OR USE OF THIS DOCUMENT /INFORMATION IS EXPRESSLY PROHIBITED UNLESS AUTHORIZED IN WRITING BY CONXALL CORPORATION.

APPROVED BY: \_\_\_\_\_  
DATE: \_\_\_\_\_

A	PAK	08/15/19	DRAWING CREATED & RELEASED PER DOR 10-2523JS-1
REV.	INIT.	DATE	DESCRIPTION
	PAK	10/01/14	ORIG. DRAWN BY: DATE: 10/01/14
ALL INFORMATION ILLUSTRATED IS THE PROPERTY OF "CONXALL CORPORATION". UNAUTHORIZED DUPLICATION OR DISTRIBUTION OF THIS DOCUMENT IS PROHIBITED.			<p>601 E. WILDWOOD VILLA PARK, IL 60181</p>
ALL UNITS ARE IN FEET, INCHES, FRACTION OF INCHES AND DECIMALS. UNLESS OTHERWISE SPECIFIED TOLERANCES: 3 PLACE DECIMALS ±.005 ANGLES ±1° FRACTIONS ±1/16			
APPROVED BY:		TITLE: CABLE CONNECTOR KIT	
SCALE: NTS		SIZE: B	
SHEET: 1 OF 1		PART NUMBER: W3280-1XPG-5XX(W)	
FILE: W3280-1XPG-5XX		DIRECTORY: SLW	
PART NUMBER: W3280-1XPG-5XX(W)		REV: A	

# Mouser Electronics

Authorized Distributor

Click to View Pricing, Inventory, Delivery & Lifecycle Information:

[Switchcraft:](#)

[W3280-10PG-535](#)