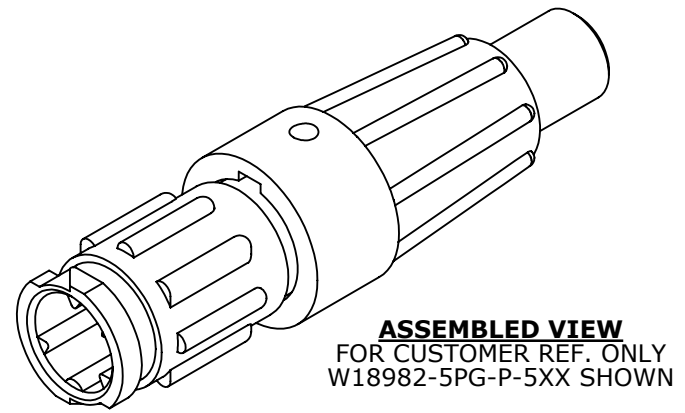
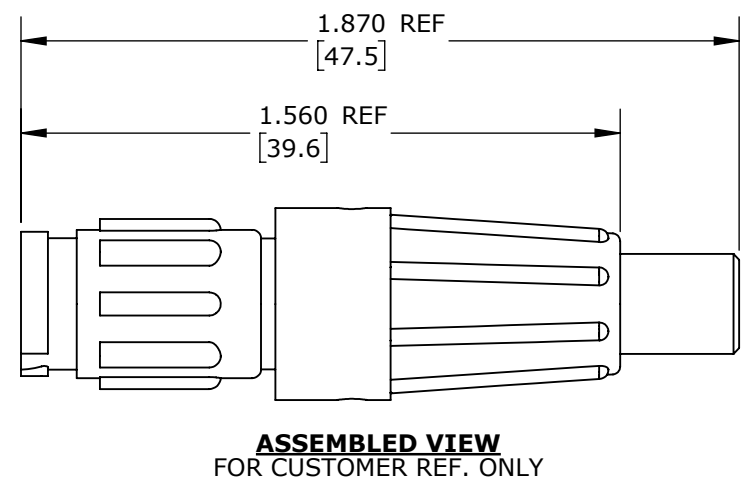
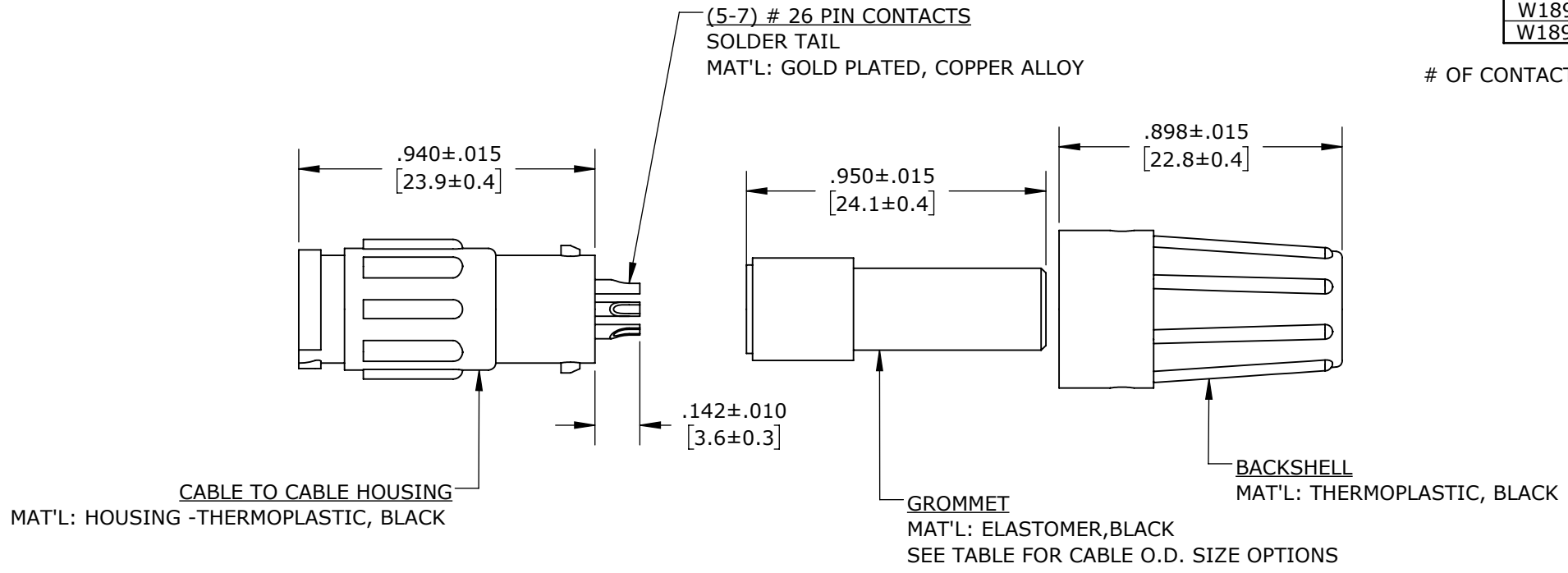
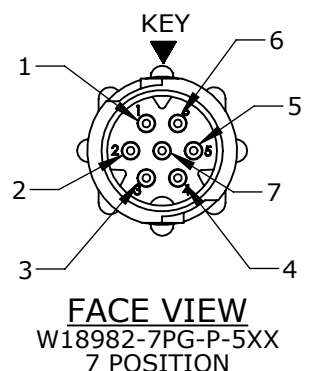
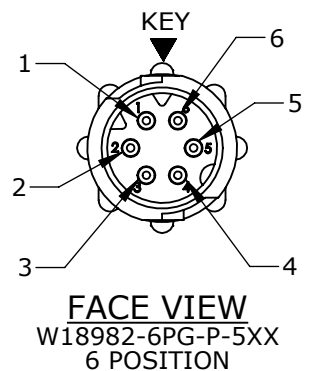
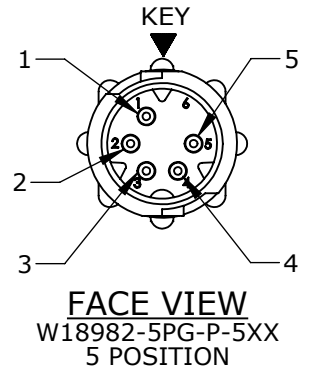


APPROVED BY: DATE: MFG. ENG. QA

ASS'Y P/N	CONTACT QTY.	CABLE O.D. RANGE
W18982-5PG-P-518	5	0.18 - 0.20 [4.6 - 5.1]
W18982-5PG-P-521	5	0.21 - 0.22 [5.3 - 5.6]
W18982-5PG-P-522	5	0.22 - 0.23 [5.6 - 5.8]
W18982-6PG-P-518	6	0.18 - 0.20 [4.6 - 5.1]
W18982-6PG-P-521	6	0.21 - 0.22 [5.3 - 5.6]
W18982-6PG-P-522	6	0.22 - 0.23 [5.6 - 5.8]
W18982-7PG-P-518	7	0.18 - 0.20 [4.6 - 5.1]
W18982-7PG-P-521	7	0.21 - 0.22 [5.3 - 5.6]
W18982-7PG-P-522	7	0.22 - 0.23 [5.6 - 5.8]
W18982-XPG-P-5XX		

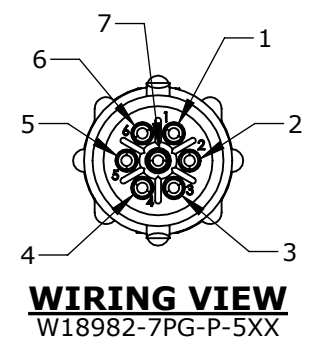
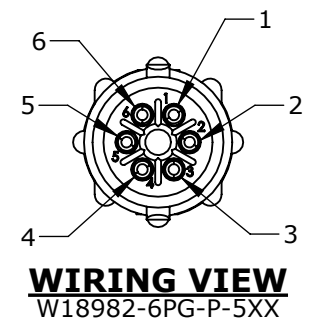
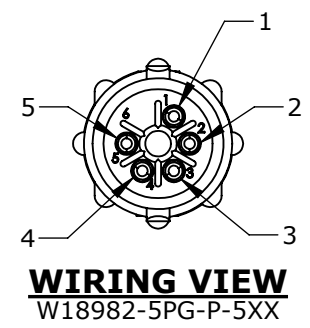
NOTES:

1. ALL PARTS ARE BULK PACKED.
2. REFER TO DRAWING HPMCSTD FOR CONTACT PATTERNS.
3. ALL DIMENSIONS ARE REFERENCE ONLY IN INCHES [mm], WITHIN ±0.015 UNLESS OTHERWISE NOTED.



OF CONTACTS

GROMMET SIZE = CABLE O.D. RANGE:
518 = 0.18 - 0.20 [4.6 - 5.1]
521 = 0.21 - 0.22 [5.3 - 5.6]
522 = 0.22 - 0.23 [5.6 - 5.8]



CUSTOMER APPROVAL

THIS DOCUMENT CONTAINS CONFIDENTIAL INFORMATION PROPRIETARY TO CONXALL CORPORATION. ANY REPRODUCTION, DISCLOSURE, OR USE OF THIS DOCUMENT /INFORMATION IS EXPRESSLY PROHIBITED UNLESS AUTHORIZED IN WRITING BY CONXALL CORPORATION.

APPROVED BY: _____

DATE: _____

RoHS COMPLIANT

0A	JGK	8/28/19	DRAWING CREATED FOR PDR #18004.	
REV.	INIT.	DATE	DESCRIPTION	
	JGK	8/28/19	ALL INFORMATION ILLUSTRATED IS THE PROPERTY OF "CONXALL CORPORATION". UNAUTHORIZED DUPLICATION OR DISTRIBUTION OF THIS DOCUMENT IS PROHIBITED. ORIG. DRAWN BY: JGK DATE: 8/28/19 CHECKED BY: _____ APPROVED BY: _____ TITLE: CABLE TO CABLE CONN. ASS'Y (5-7) #26 PIN CONTACTS, SOLDER INSTA-CLICK, MICRO-CON-X STANDARD PRODUCT CUSTOMER: _____ SCALE: NTS SIZE: B SHEET: 1 OF 1 FILE: W18982-XPG-P-5XX DIRECTORY: SLW PART NUMBER: W18982-XPG-P-5XX ALL UNITS ARE IN FEET, INCHES, FRACTION OF INCHES AND DECIMALS. UNLESS OTHERWISE SPECIFIED TOLERANCES: 3 PLACE DECIMALS ±.005 ANGLES ±1° FRACTIONS ±1/16 - CRITICAL CHARACTERISTIC FLAG PER SPEC. XXXX	
			<p>601 E. WILDWOOD VILLA PARK, IL 60181</p>	
			<p>REVISIONS:</p>	

CUSTOMER PRINT

PART NUMBER: W18982-XPG-P-5XX

PRELIMINARY

DIMENSIONS IS BRACKETS [] ARE METRIC

Mouser Electronics

Authorized Distributor

Click to View Pricing, Inventory, Delivery & Lifecycle Information:

[Switchcraft:](#)

[W18982-5PG-P-522](#) [W18982-7PG-P-518](#) [W18982-7PG-P-522](#) [W18982-5PG-P-518](#) [W18982-6PG-P-522](#)