

CUSTOMER PRINT

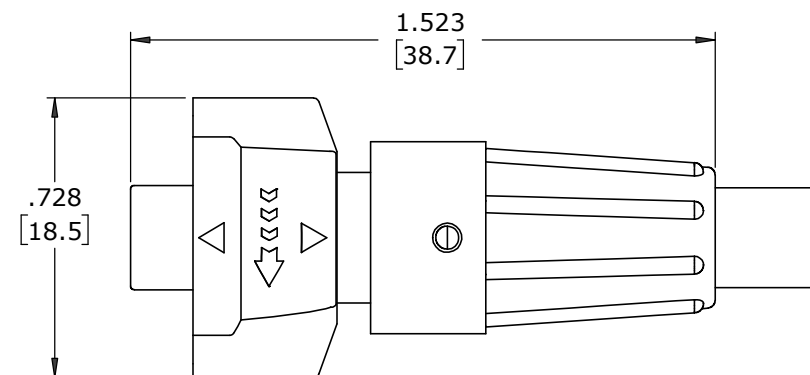
PART NUMBER: W16982-XPG-P-5XX

NOTES:

1. ALL PARTS TO BE BULK PACKED
2. CONTACTS ASSEMBLED WITH SOLDER CUPS FACING OUTWARD RADIALLY
3. ALL DIMENSIONS ARE REFERENCE EXCEPT THOSE WITH A TOLERANCE

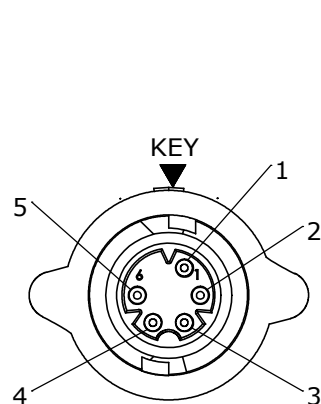
ASS'Y P/N	FOR CABLE O.D.
W16982-XPG-P-518	.175-.185 [4.4-4.7]
W16982-XPG-P-521	.205-.215 [5.2-5.5]
W16982-XPG-P-522	.215-.225 [5.5-5.7]

ASS'Y P/N	KEY STYLE	CONTACT QTY.
W16982-5PG-P-5XX	A-KEY	5
W16982-6PG-P-5XX	B-KEY	6
W16982-7PG-P-5XX	A-KEY	7
W16982-XPG-P-5XX		

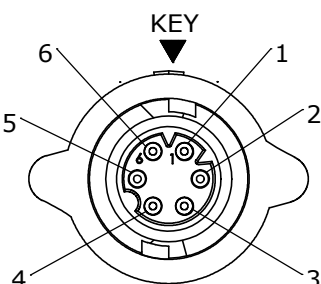


SHOWN ASSEMBLED
FOR CUSTOMER REFERENCE ONLY

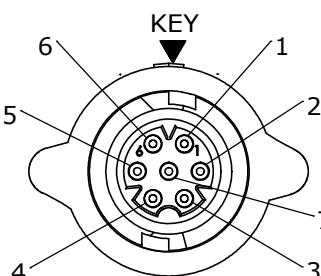
GROMMET SIZE
NUMBER OF CONTACTS



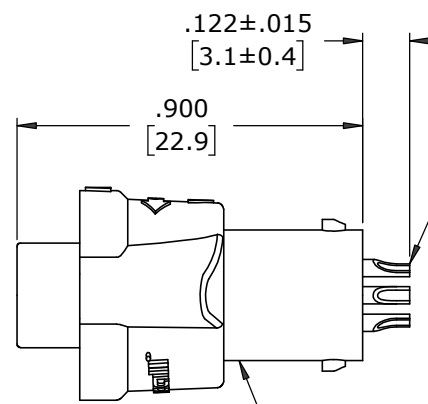
FACE VIEW
W16982-5PG-P-5XX
5 POSITION
A-KEY



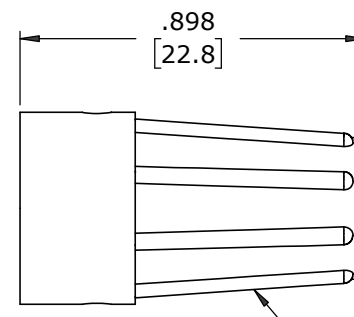
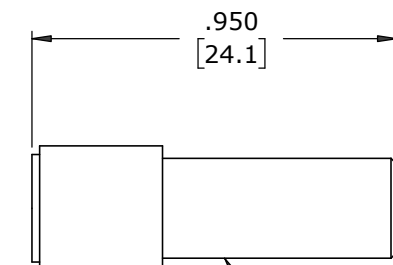
FACE VIEW
W16982-6PG-P-5XX
6 POSITION
B-KEY



FACE VIEW
W16982-7PG-P-5XX
7 POSITION
A-KEY



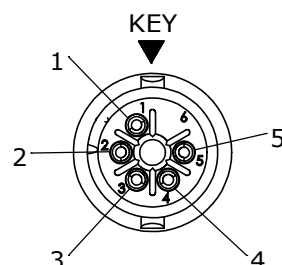
(5-7) #26 PIN CONTACTS, SOLDER
MAT'L: GOLD PLATED COPPER ALLOY



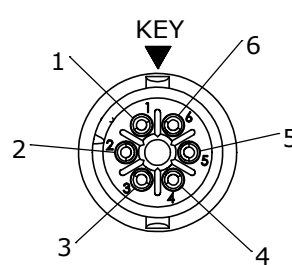
CABLE END HOUSING
MAT'L: UV PBT, BLACK
COUPLING RING
MAT'L: UV PBT BLACK
O-RING
MAT'L: SILICONE, RED
SPRING
MAT'L: STAINLESS STEEL

GROMMET
MAT'L: RUBBER, BLACK

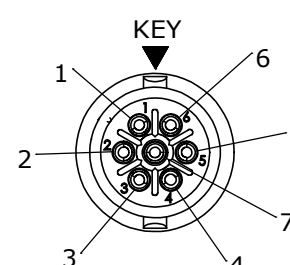
BACKSHELL
MAT'L: UV PBT, BLACK



WIRING VIEW
W16982-5PG-P-5XX



WIRING VIEW
W16982-6PG-P-5XX



WIRING VIEW
W16982-7PG-P-5XX

DIMENSIONS IN BRACKETS [] ARE IN MILLIMETERS

CUSTOMER APPROVAL

THIS DOCUMENT CONTAINS CONFIDENTIAL INFORMATION PROPRIETARY TO CONXALL CORPORATION. ANY REPRODUCTION, DISCLOSURE, OR USE OF THIS DOCUMENT /INFORMATION IS EXPRESSLY PROHIBITED UNLESS AUTHORIZED IN WRITING BY CONXALL CORPORATION.

APPROVED BY: _____
DATE: _____

REV.	INIT.	DATE	DESCRIPTION
A	MA	08-18-20	RELEASED PER PDR 18004-4
	JGK	2/28/20	ADDED SHEET 2 FOR CABLE-END ASSEMBLY INSTRUCTIONS.
	JGK	9/09/19	DRAWING CREATED FOR PDR #18004.

ALL INFORMATION ILLUSTRATED IS THE PROPERTY OF CONXALL CORPORATION. UNAUTHORIZED DUPLICATION OR DISTRIBUTION OF THIS DOCUMENT IS PROHIBITED.	ORIG. DRAWN BY: JGK DATE: 9/09/19	
ALL UNITS ARE IN FEET, INCHES, FRACTION OF INCHES AND DECIMALS. UNLESS OTHERWISE SPECIFIED TOLERANCES: 3 PLACE DECIMALS ±.005 ANGLES ±1° FRACTIONS ±1/16 - CRITICAL CHARACTERISTIC FLAG PER SPEC. XXXX	CHECKED BY:	
APPROVED BY:	APPROVED BY:	TITLE: CABLE-END ASSEMBLY (5-7) #26 PIN CONTACTS, SOLDER INSTA-CLICK™ MICRO-CON-X STANDARD PRODUCT
SCALE: NTS	SIZE: B	SHEET: 1 OF 1
FILE: W16982-XPG-P-5XX	DIRECTORY: SLW	CUSTOMER: W16982-XPG-P-5XX

RoHS COMPLIANT

REV A

Mouser Electronics

Authorized Distributor

Click to View Pricing, Inventory, Delivery & Lifecycle Information:

Switchcraft:

[W16982-6PG-P-518](#) [W16982-6PG-P-522](#) [W16982-7PG-P-522](#) [W16982-5PG-P-522](#) [W16982-7PG-P-518](#) [W16982-7PG-P-521](#) [W16982-5PG-P-521](#)