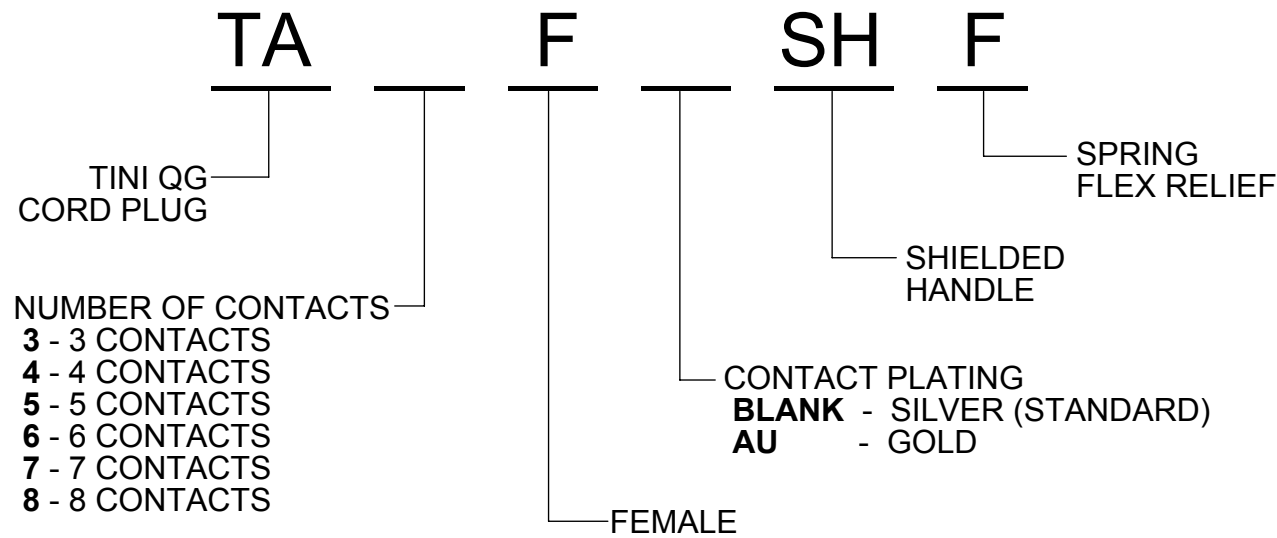
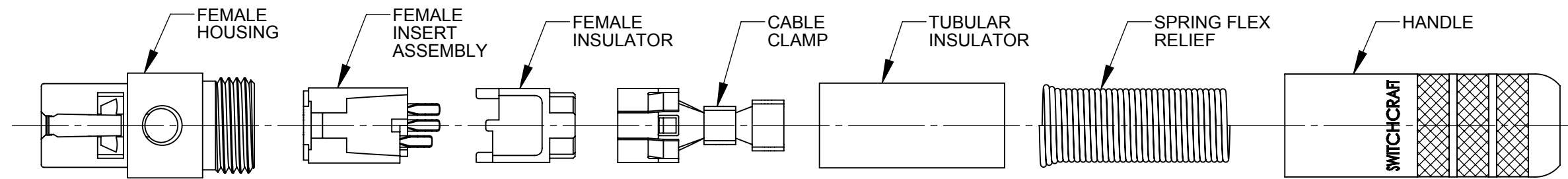
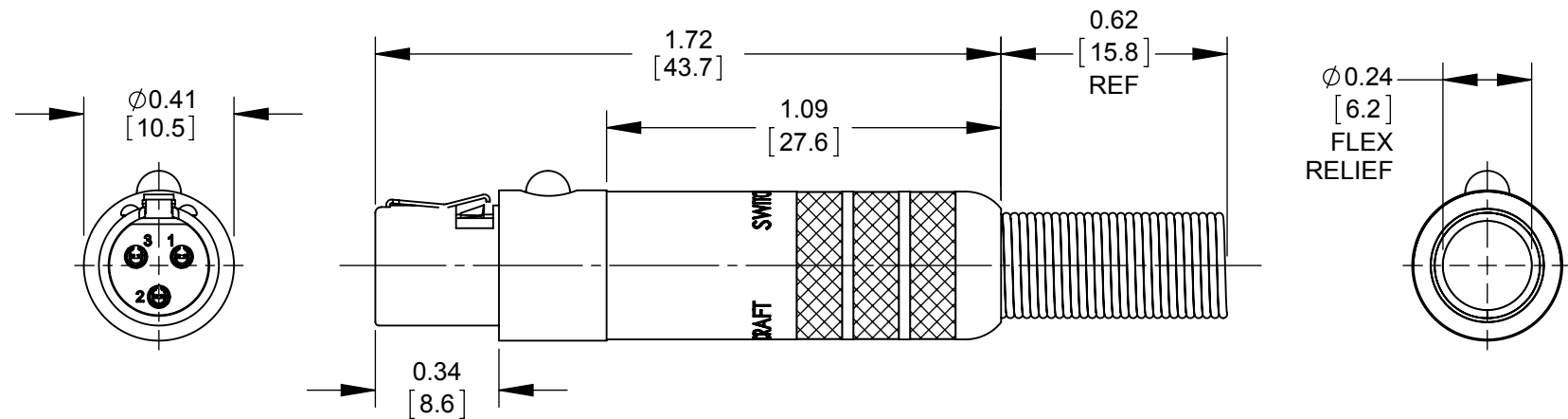


AS VIEWED FROM FRONT MATING VIEW



- NUMBER OF CONTACTS
 3 - 3 CONTACTS
 4 - 4 CONTACTS
 5 - 5 CONTACTS
 6 - 6 CONTACTS
 7 - 7 CONTACTS
 8 - 8 CONTACTS

CONTACT PLATING
BLANK - SILVER (STANDARD)
AU - GOLD



TA3FSHF SHOWN

CUSTOMER DRAWING

NOTES:

- MATERIALS:
 HOUSING - COPPER ALLOY, NICKEL PLATED
 LATCH - SPECIAL COPPER ALLOY, NICKEL PLATED
 LATCH BUTTON - THERMOPLASTIC, BLACK
 CONTACTS - COPPER ALLOY, SILVER OR GOLD PLATED
 INSERT - THERMOPLASTIC, BLACK OR DARK BROWN
 INSULATOR - THERMOPLASTIC, DARK BROWN
 CABLE CLAMP/GROUND TERMINAL - STEEL, ELECTRO-TIN PLATED
 TUBULAR INSULATOR - FISH PAPER
 HANDLE - COPPER ALLOY, NICKEL PLATED
 SPRING FLEX RELIEF - STAINLESS STEEL
- THIS PRODUCT IS RoHS COMPLIANT.

REV	ECO NUMBER	DATE	BY	APVD
A	27648	01/28/16	PC	TJK
REVISIONS				

UNLESS OTHERWISE SPECIFIED				
1. ALL DIMENSIONS IN INCHES [mm]				
- TWO PLACE DECIMALS ±0.02 [0.5]				
- THREE PLACE DECIMALS ±0.005 [0.13]				
DO NOT SCALE DRAWING				

THIS DRAWING DESCRIBES A DESIGN CONSIDERED PROPRIETARY IN NATURE, DEVELOPED AND MANUFACTURED BY SWITCHCRAFT INC. AND IS RELEASED ON A CONFIDENTIAL BASIS FOR IDENTIFICATION PURPOSES ONLY.									
SIZE		WIDTH		MULT		LBS/M		TEMPER	
FINISH					MATERIAL				
SPEC No.					SPEC No.				
FIRST USED ON				SCALE 2:1					
DATE DRAWN	BY	CHKD	APVD	Switchcraft [®]					
07/15/09	BS	TJK	TJK						
				02/03/16		02/03/16		SHEET 1 OF 1	
NAME FEMALE TINI QG SHIELDED W/ FLEX RELIEF, RoHS							PART No. TA_FSHF SERIES		REV A

Mouser Electronics

Authorized Distributor

Click to View Pricing, Inventory, Delivery & Lifecycle Information:

[Switchcraft:](#)

[TA3FSHF](#) [TA4FSHF](#) [TA5FSHF](#) [TA6FSHF](#) [TA7FSHF](#) [TA8FSHF](#)