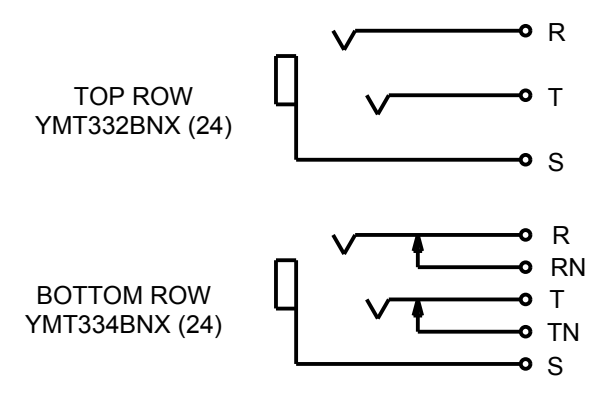
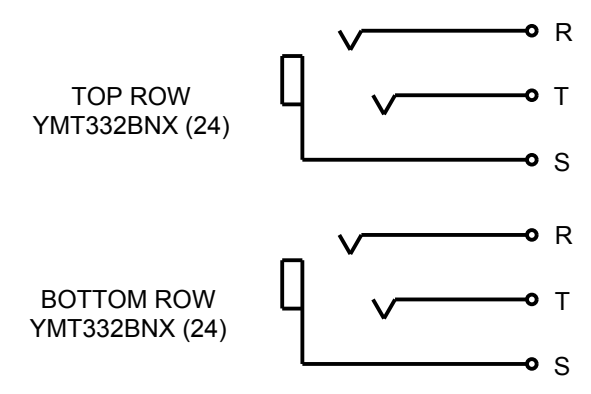


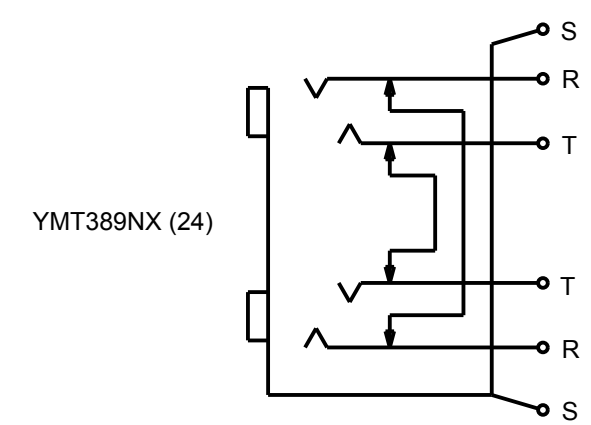
MT48FNX
SCHEMATIC



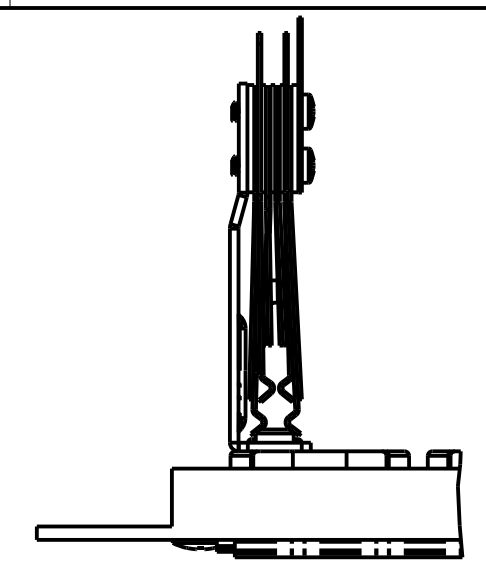
MT48HNX
SCHEMATIC



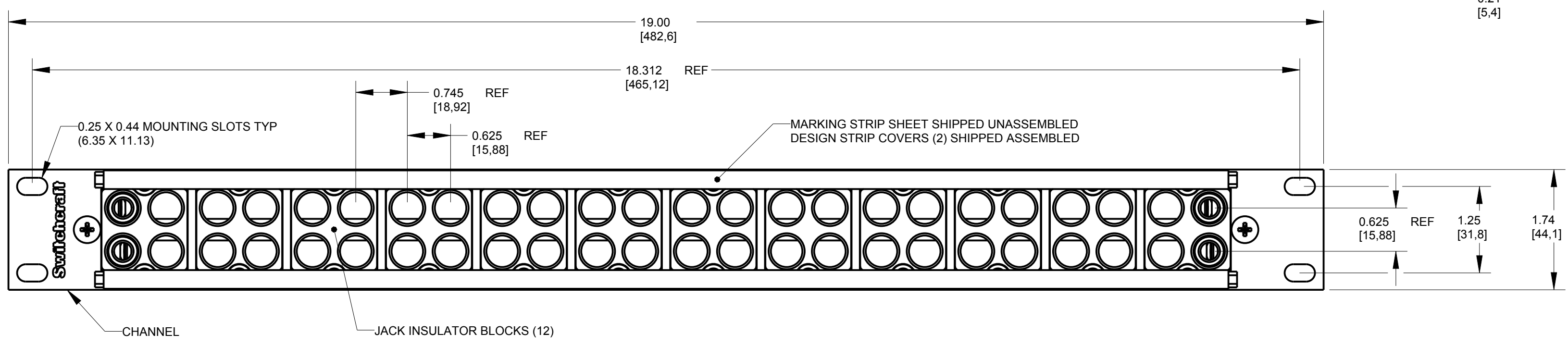
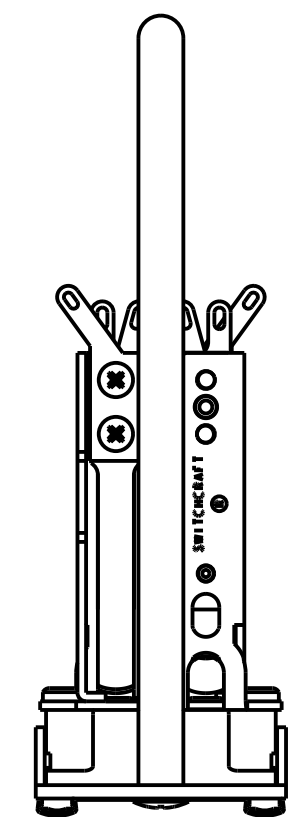
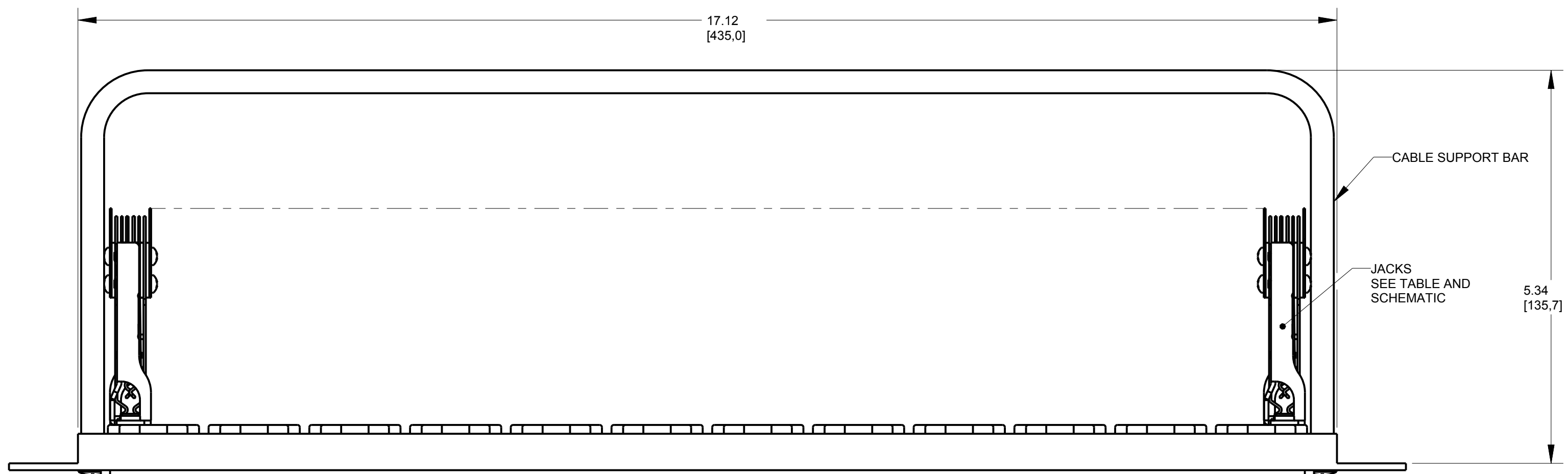
MT48NNX
SCHEMATIC



MT48NSX
SCHEMATIC



MT48NSX
JACK ORIENTATION



NOTES:

- MATERIALS:
CHANNEL - ALUMINUM, BLACK ANODIZED
CABLE SUPPORT BAR - STEEL, BLACK EPOXY PAINT
JACK INSULATOR BLOCKS - THERMOPLASTIC, BLACK
JACK FRAME - STEEL, NICKEL PLATED
JACK BUSHING - COPPER ALLOY, NICKEL PLATED
- THESE PRODUCTS ARE RoHS COMPLIANT.

| PART NUMBER | TYPE | JACKS |
|-------------|------------------|---|
| MT48X | PANEL ONLY | NONE |
| MT48FNX | FULL NORMALS OUT | YMT334BNX (48) |
| MT48HNX | HALF NORMALS | TOP ROW YMT332BNX (24) BOTTOM ROW YMT334BNX (24) |
| MT48NNX | NO NORMALS | YMT332BNX (48) |
| MT48NSX | NORMALS STRAPPED | YMT389NX (24) |

| REV | ECO NUMBER | DATE | BY | APVD |
|-----|------------|----------|----|------|
| B | 27953 | 10/11/17 | PC | TJK |
| A | 25559 | 2/7/13 | TO | TJK |

★ STAR SYMBOL DENOTES CRITICAL DIMENSION

UNLESS OTHERWISE SPECIFIED

- ALL DIMENSIONS IN INCHES
-TWO PLACE DECIMALS ±0.01
-THREE PLACE DECIMALS ±0.005
-ANGLES ±1°
-ALL DIA. CONCENTRIC WITHIN 0.005 T.I.R.
- FEATURES ON THE SAME CENTERLINE MUST BE ALIGNED WITHIN ±0.002
- REMOVE ALL BURRS

DO NOT SCALE DRAWING

| | | | | |
|--|-------|-----------------------------|-------|--------|
| THIS DRAWING DESCRIBES A DESIGN CONSIDERED PROPRIETARY IN NATURE, DEVELOPED AND MANUFACTURED BY SWITCHCRAFT INC. AND IS RELEASED ON A CONFIDENTIAL BASIS FOR IDENTIFICATION PURPOSES ONLY. | | | | |
| SIZE | WIDTH | MULT | LBS/M | TEMPER |
| FINISH | | MATERIAL | | |
| SPEC No. | | SPEC No. | | |
| FIRST USED ON | | SCALE | | |
| | | 3:4 | | |
| DATE DRAWN | BY | CHKD | APVD | |
| 07-Feb-13 | TO | TO | TJK | |
| | | 2-7-13 | | |
| NAME | | PART No. | | REV |
| PATCHBAY | | 1 RU, 2X24 1/4" JACKS, RoHS | | B |
| | | SHEET 1 OF 1 | | |
| | | MT48 X SERIES | | |

CUSTOMER DRAWING



Mouser Electronics

Authorized Distributor

Click to View Pricing, Inventory, Delivery & Lifecycle Information:

Switchcraft:

[MT48FN](#) [MT48HN](#) [MT48NN](#) [MT48FNX](#) [MT48HNX](#) [MT48NNX](#) [MT48NSX](#) [MT52FNX](#) [MT52HNX](#) [MT52K1FNX](#)
[MT52K1HNX](#) [MT52K1NNX](#) [MT52NNX](#) [MT52NSX](#) [MT48NS](#) [MT52NS](#)