

# RP185

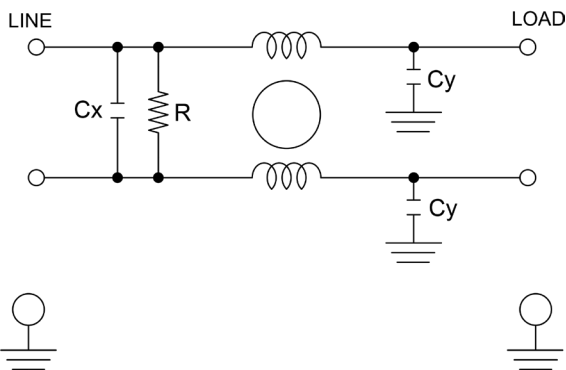
## HIGH PERFORMANCE SINGLE STAGE IEC INLET FILTER

### FEATURES

- » Rated currents include **1A, 3A, 6A, 10 A, and 15A**
- » Single Stage Line Filter
- » Available with **QD** tabs or **W** (wireleads) option
- » High Performance
- » Agency Approved to UL1283/60929, CSA C22.2, EN 60939
- » Y-cap value can be adjusted to fit specifications



### ELECTRICAL SCHEMATIC



### SPECIFICATIONS

OPERATING FREQUENCY	50/60Hz
IEC INLET	C14
MAX. OPERATING VOLTAGE	250V +10%
AMBIENT TEMPERATURE	-25 TO 40°C
CLIMATIC CATEGORY	25/100/21
TERMINALS (-T)	QD: 0.25" TABS WIRE LEADS
TYP. WEIGHT, LBS (KG)	0.1 (0.04)

### TYPICAL LEAKAGE CURRENT

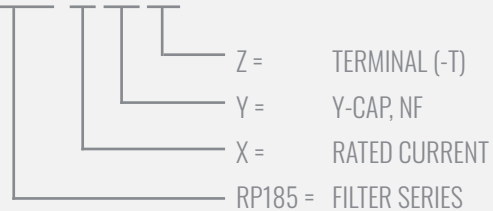
@ 250 VAC 50 Hz	0 - 0.8 mA Max.
@ 120 VAC 60 Hz	0 - 0.4 mA Max.

### HIPOT RATINGS

LINE TO GROUND	2121 VDC
----------------	----------

### HOW TO ORDER

RP185- X - Y - Z



**NOTE:** USE ANY COMBINATION OF -X (AMPS) WITH ANY -Y RATINGS  
E.G. **RP185-10-1-QD** (10AMPS WITH 1 NF YCAP)

For **X, Y** and **Z** options see product specification table.

### TYPICAL APPLICATIONS

- ✓ Portable Electronic Equipment
- ✓ Household Appliances
- ✓ Single-Phase Power Supplies
- ✓ Diagnostic Medical Equipment
- ✓ Fitness Systems
- ✓ Test & Measurement

# RP185

## HIGH PERFORMANCE SINGLE STAGE IEC INLET FILTER

MODEL NO.	RATED CURRENT, A @ 40° C	Y-CAP, nF	LEAKAGE CURRENT, mA @ 250V AC, 50 Hz / @ 120V AC, 60 Hz		TERMINAL OPTIONS		MAX. DIMENSIONS" (MM)		
					(QD) OUTPUT	(W) OUTPUT	WIDTH	(LENGTH)	HEIGHT
RP185-1-0-QD	1	0	-	-	✓		1.97" (50)	3.0" (76.5)	0.89" (22.7)
RP185-1-0-W	1	0	-	-		✓	*	*	*
RP185-1-47-QD	1	0.47	0.07	0.04	✓		1.97" (50)	3.0" (76.5)	0.89" (22.7)
RP185-1-47-W	1	0.47	0.07	0.04		✓	*	*	*
RP185-1-1-QD	1	1	0.15	0.09	✓		1.97" (50)	3.0" (76.5)	0.89" (22.7)
RP185-1-1-W	1	1	0.15	0.09		✓	*	*	*
RP185-1-2.2-QD	1	2.2	0.34	0.19	✓		1.97" (50)	3.0" (76.5)	0.89" (22.7)
RP185-1-2.2-W	1	2.2	0.34	0.19		✓	*	*	*
RP185-1-4.7-QD	1	4.7	0.80	0.40	✓		1.97" (50)	3.0" (76.5)	0.89" (22.7)
RP185-1-4.7-W	1	4.7	0.80	0.40		✓	*	*	*
RP185-3-0-QD	3	0	-	-	✓		1.97" (50)	3.0" (76.5)	0.89" (22.7)
RP185-3-0-W	3	0	-	-		✓	*	*	*
RP185-3-47-QD	3	0.47	0.08	0.04	✓		1.97" (50)	3.0" (76.5)	0.89" (22.7)
RP185-3-47-W	3	0.47	0.08	0.04		✓	*	*	*
RP185-3-1-QD	3	1	0.18	0.09	✓		1.97" (50)	3.0" (76.5)	0.89" (22.7)
RP185-3-1-W	3	1	0.18	0.09		✓	*	*	*
RP185-3-2.2-QD	3	2.2	0.40	0.20	✓		1.97" (50)	3.0" (76.5)	0.89" (22.7)
RP185-3-2.2-W	3	2.2	0.40	0.20		✓	*	*	*
RP185-3-4.7-QD	3	4.7	0.80	0.40	✓		1.97" (50)	3.0" (76.5)	0.89" (22.7)
RP185-3-4.7-W	3	4.7	0.80	0.40		✓	*	*	*
RP185-6-0-QD	6	0	-	-	✓		1.97" (50)	3.0" (76.5)	0.89" (22.7)
RP185-6-0-W	6	0	-	-		✓	*	*	*
RP185-6-47-QD	6	0.47	0.08	0.04	✓		1.97" (50)	3.0" (76.5)	0.89" (22.7)
RP185-6-47-W	6	0.47	0.08	0.04		✓	*	*	*
RP185-6-1-QD	6	1	0.18	0.09	✓		1.97" (50)	3.0" (76.5)	0.89" (22.7)
RP185-6-1-W	6	1	0.18	0.09		✓	*	*	*
RP185-6-2.2-QD	6	2.2	0.40	0.20	✓		1.97" (50)	3.0" (76.5)	0.89" (22.7)
RP185-6-2.2-W	6	2.2	0.40	0.20		✓	*	*	*
RP185-6-4.7-QD	6	4.7	0.80	0.40	✓		1.97" (50)	3.0" (76.5)	0.89" (22.7)
RP185-6-4.7-W	6	4.7	0.80	0.40		✓	*	*	*
RP185-10-0-QD	10	0	-	-	✓		1.97" (50)	3.0" (76.5)	0.89" (22.7)
RP185-10-0-W	10	0	-	-		✓	*	*	*
RP185-10-47-QD	10	0.47	0.08	0.04	✓		1.97" (50)	3.0" (76.5)	0.89" (22.7)
RP185-10-47-W	10	0.47	0.08	0.04		✓	*	*	*

**ADDITIONAL MODEL NO. >>**

# RP185

## HIGH PERFORMANCE SINGLE STAGE IEC INLET FILTER

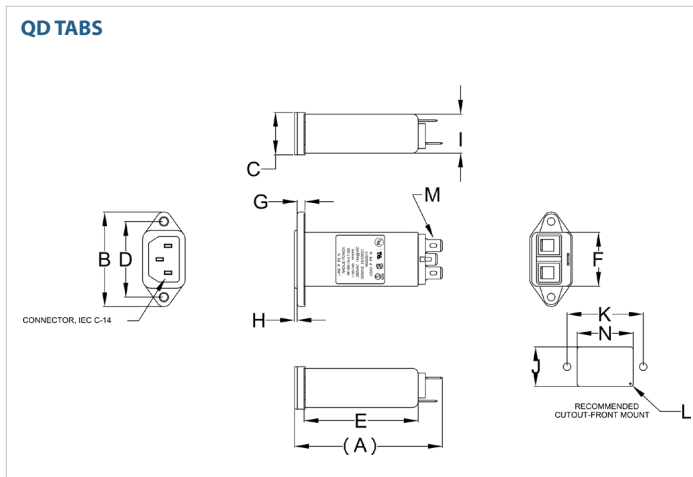
MODEL NO.	RATED CURRENT, A @ 40° C	Y-CAP, nF	LEAKAGE CURRENT, mA @ 250V AC, 50 Hz / @ 120V AC, 60 Hz		TERMINAL OPTIONS		MAX. DIMENSIONS" (MM)		
					(QD) OUTPUT	(W) OUTPUT	WIDTH	(LENGTH)	HEIGHT
RP185-10-1-QD	10	1	0.18	0.09	✓		1.97" (50)	3.0" (76.5)	0.89" (22.7)
RP185-10-1-W	10	1	0.18	0.09		✓	*	*	*
RP185-10-2.2-QD	10	2.2	0.40	0.20	✓		1.97" (50)	3.0" (76.5)	0.89" (22.7)
RP185-10-2.2-W	10	2.2	0.40	0.20		✓	*	*	*
RP185-10-4.7-QD	10	4.7	0.80	0.40	✓		1.97" (50)	3.0" (76.5)	0.89" (22.7)
RP185-10-4.7-W	10	4.7	0.80	0.40		✓	*	*	*
RP185-15-0-QD	15	0	-	-	✓		1.97" (50)	3.06" (77.8)	0.88" (22.4)
RP185-15-0-W	15	0	-	-		✓	*	*	*
RP185-15-47-QD	15	0.47	0.08	0.04	✓		1.97" (50)	3.06" (77.8)	0.88" (22.4)
RP185-15-47-W	15	0.47	0.08	0.04		✓	*	*	*
RP185-15-1-QD	15	1	0.18	0.09	✓		1.97" (50)	3.06" (77.8)	0.88" (22.4)
RP185-15-1-W	15	1	0.18	0.09		✓	*	*	*
RP185-15-2.2-QD	15	2.2	0.40	0.20	✓		1.97" (50)	3.06" (77.8)	0.88" (22.4)
RP185-15-2.2-W	15	2.2	0.40	0.20		✓	*	*	*
RP185-15-4.7-QD	15	4.7	0.80	0.40	✓		1.97" (50)	3.06" (77.8)	0.88" (22.4)
RP185-15-4.7-W	15	4.7	0.80	0.40		✓	*	*	*

\*Contact factory for dimensions.

# RP185

## HIGH PERFORMANCE SINGLE STAGE IEC INLET FILTER

### RP185 MECHANICAL OUTLINES (MM)



SERIES	(A)	B	C	D	E	F	G	H	I	J	K	L	M	N
<b>QD TABS (1/3/6/10A)</b>	3.0" (76.5)	1.97" (50)	0.89" (22.7)	1.57" (40)	2.36" (60)	1.08" (27.5)	0.11" (2.7)	0.07" (1.8)	0.80" (20.2)	0.83" (21)	1.57" (40)	N/A	QD, MALE, 6.35, 3x	1.16" (29.5)
<b>QD TABS (15A)</b>	3.06" (77.8)	1.97" (50)	0.88" (22.4)	1.57" (40)	2.40" (61)	1.16" (29.5)	0.16" (4.1)	0.06" (1.5)	0.85" (21.6)	0.83" (21)	1.57" (40)	0.05", 4x R1.5, 4x	0.25", 3x QD, MALE, 6.35, 3x	1.16" (29.5)

TYPICAL TOLERANCE: +/-0.02" (0.50MM)

### TYPICAL INSERTION LOSS, dB (50/50 Ohm)

Amps	Freq (MHz)	Insertion Loss (dB)				
		0.15	0.5	1.0	10	30
1	CM (dB)	46	55	55	55	50
	DM (dB)	22	38	40	40	50
3	CM (dB)	36	50	55	55	50
	DM (dB)	22	35	50	60	60
6	CM (dB)	22	35	42	55	60
	DM (dB)	20	32	40	50	55
10	CM (dB)	20	32	28	55	55
	DM (dB)	20	32	40	58	60
15	CM (dB)	14	22	30	50	58
	DM (dB)	15	32	40	54	70

# Mouser Electronics

Authorized Distributor

Click to View Pricing, Inventory, Delivery & Lifecycle Information:

[Astrodyne TDI:](#)

[RP185-1-3.3-QD](#) [RP185-6-3.3-QD](#) [RP185-10-3.3-QD](#) [RP185-3-3.3-QD](#) [RP185-10-0-W](#)