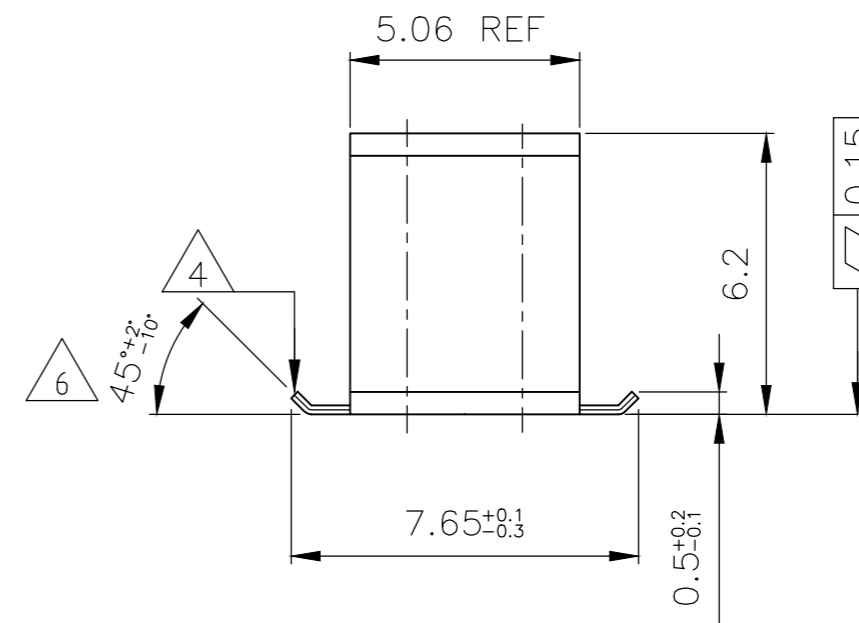
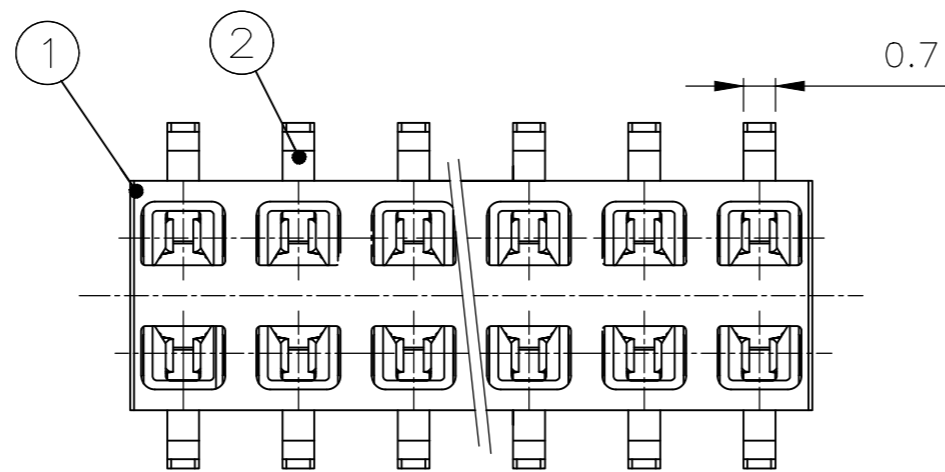
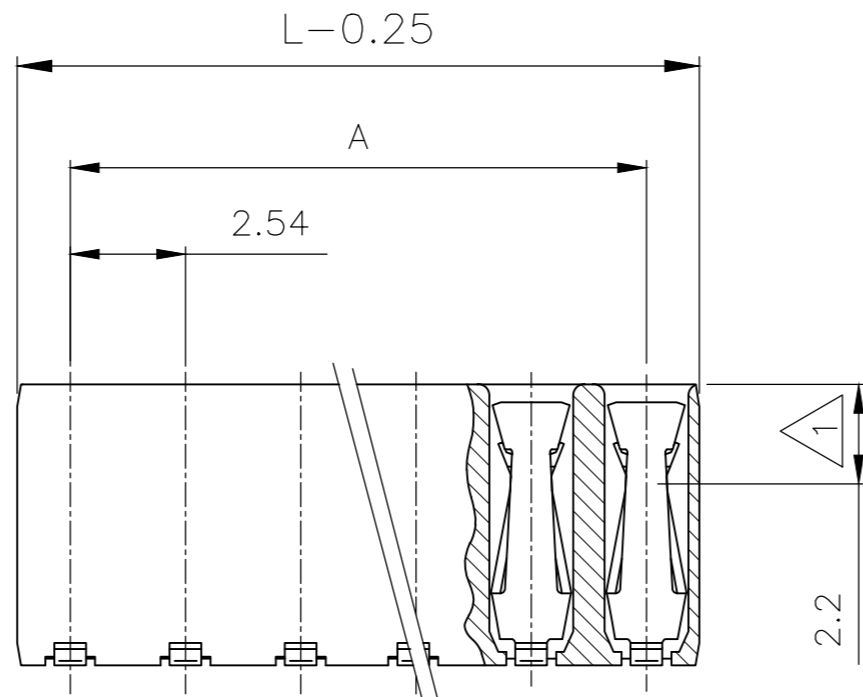
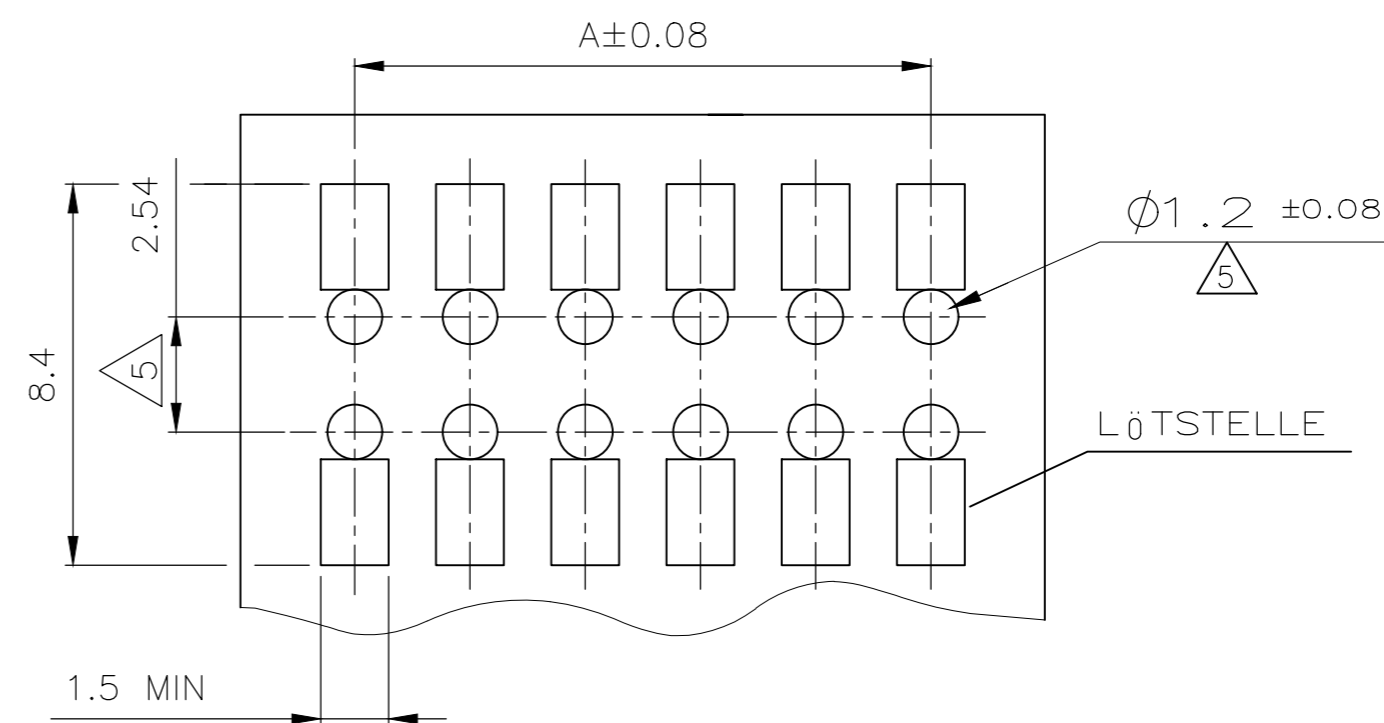


REVISIONS					
P	LTR	DESCRIPTION	DATE	DWN	APVD
E4		5-5 AND 5-7 ADDED	22OCT2020	DV	KJK

Polz.	L <sub>-0.25</sub>	A
-	-	-
2	4.88	2.54
3	7.42	5.08
4	9.96	7.62
5	12.5	10.16
6	15.04	12.7
7	17.58	15.24
8	20.12	17.78
9	22.66	20.32
10	25.2	22.86
11	27.24	25.4
12	30.28	27.94
13	32.82	30.48
14	35.36	33.02
15	37.90	35.56
16	40.44	38.10
17	42.98	40.64
18	45.52	43.18
19	48.06	45.72
20	50.60	48.26



EMPFOHLENES LEITERPLATTEN LAYOUT



NOTES:

- 1 EDGE CONTACT  
KONTAKTPUNKT
- 2 CONTACT RANGE: 0.8µm GOLD OVER 1.3µm Ni  
SOLDERING RANGE: 2.5µm TIN OVER 1.3µm Ni  
KONTAKTBEREICH: 0.8µm GOLD ÜBER 1.3µm Ni  
LÖTBEREICH: 2.5µm ZINN ÜBER 1.3µm Ni
- 3 CAN BE PLUGGED IN WITH MODU II PINS Ø0.63 OR □0.63 TOP OR BOTTOM ENTRY.  
STECKBAR MIT MODU II STIFTEN Ø0.63 ODER □0.63  
TOP ODER BOTTOM ENTRY.
- 4 PLANE OF SECTION BLANK  
SCHNITTFLÄCHE BLANK
- 5 ONLY WITH THE BOTTOM ENTRY  
NUR BEI BOTTOM ENTRY
- 6 BEND ANGLE WILL BE 80°±5° WHEN PRODUCED AT DIFFERENT EQUIPMENT  
( SEMI-AUTOMATIC ) DUE TO CAPACITY OR MIX OF LOAD.

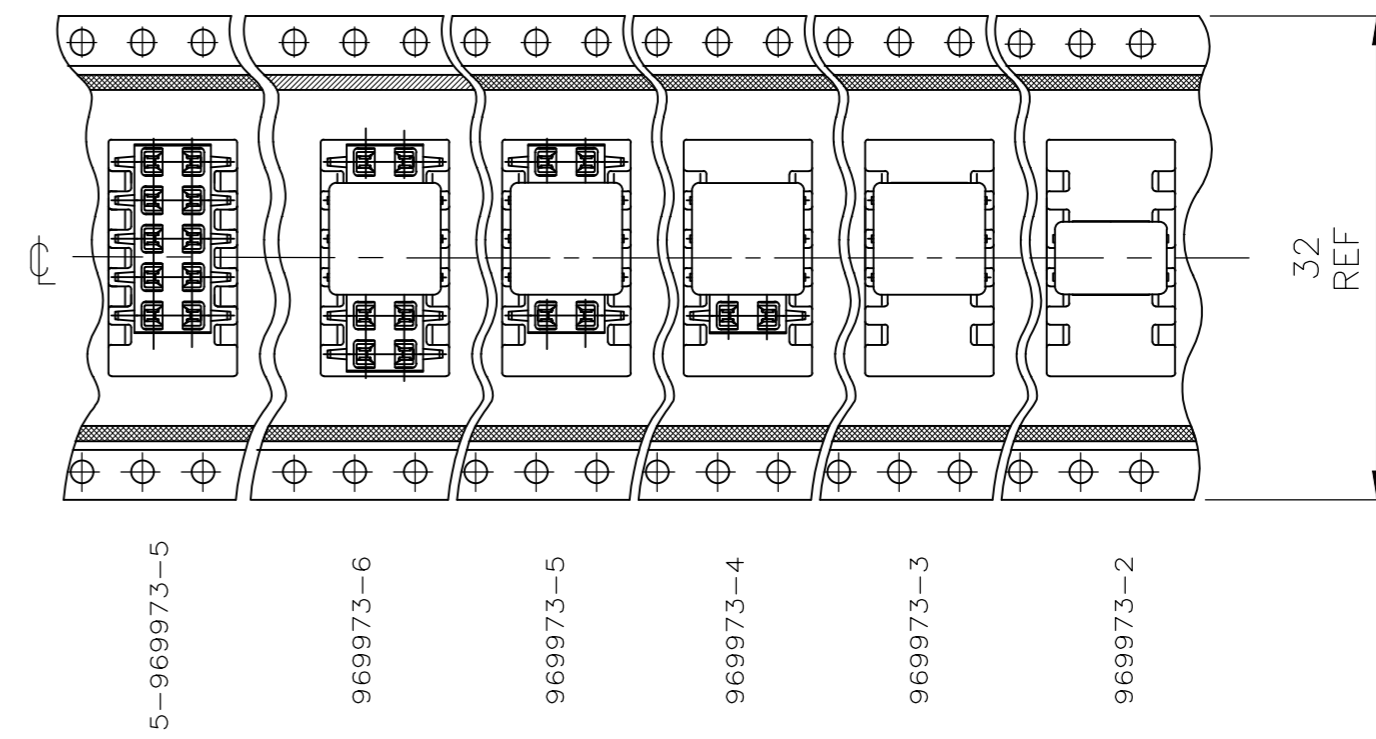
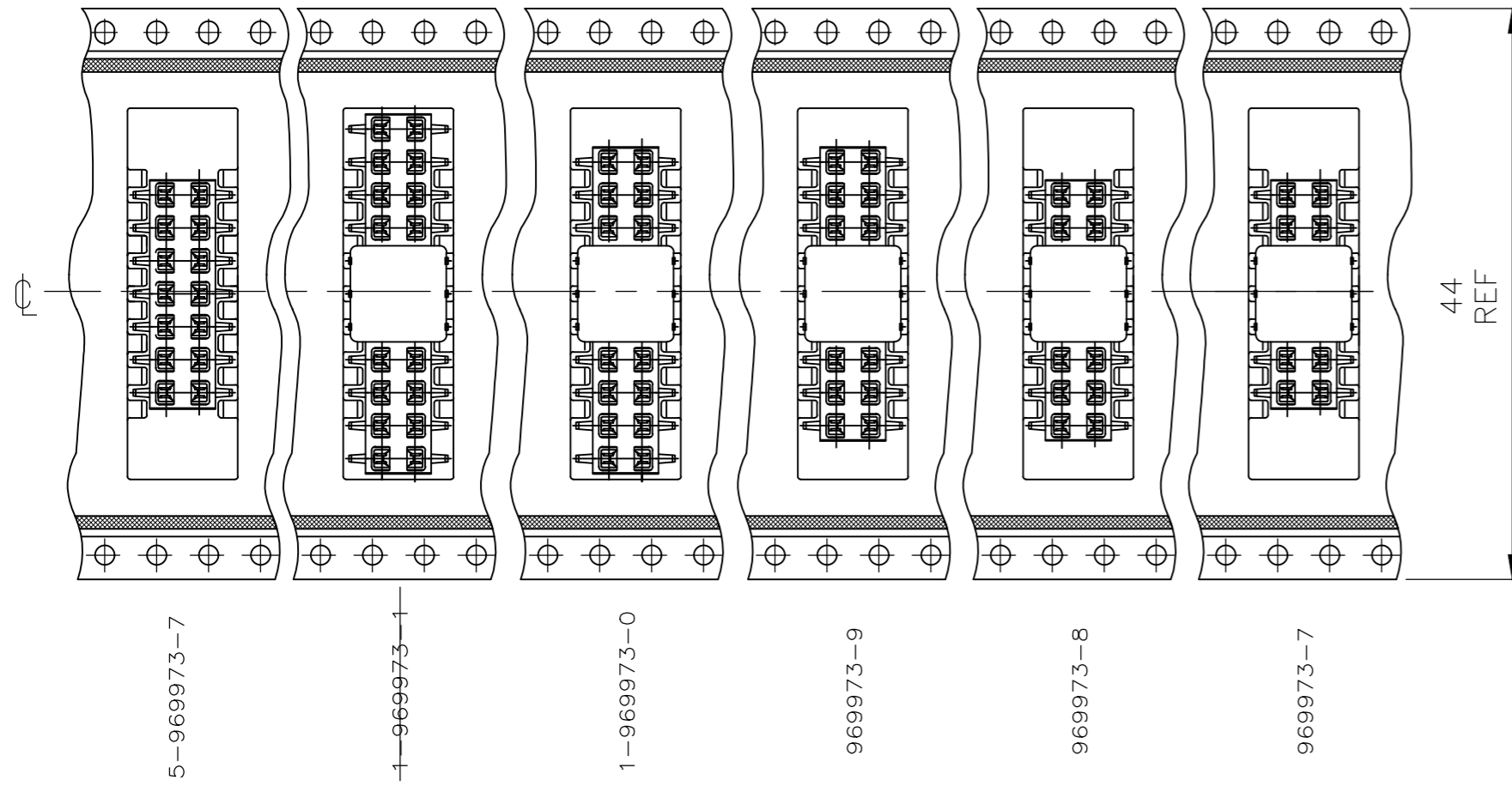
2	-	HV 100 KONTAKT / HV 100 CONTACT	Cu Sn	2	
1	-	HV 100 GEHÄUSE / HV 100 HOUSING	LCP	1	
POS.	STÜCK / PIECE	BENENNUNG EINZELTEIL PART DESCRIPTION	WERKSTOFF MATERIAL	OBERFLÄCHE / FARBE SURFACE / COLOR	SI No

THIS DRAWING IS A CONTROLLED DOCUMENT.		DWN M. STEIN 20-OCT-97		
DIMENSIONS: mm		CHK F. REICHARDT 20-OCT-97		
TOLERANCES UNLESS OTHERWISE SPECIFIED: TOL ± 0.2		APVD G. Feldmeier	NAME HV100 REC. CONNECTOR, SMD, DOUBLE ROW WITH ADAPTER PACKED IN BLISTER BELT	
		PRODUCT SPEC 108-19056	DRAWING NO A2 00779	
MATERIAL SEE TABLE		FINISH SEE TABLE	RESTRICTED TO -	
CUSTOMER DRAWING		WEIGHT	SCALE 1:2 SHEET 1 OF 4 REV E4	

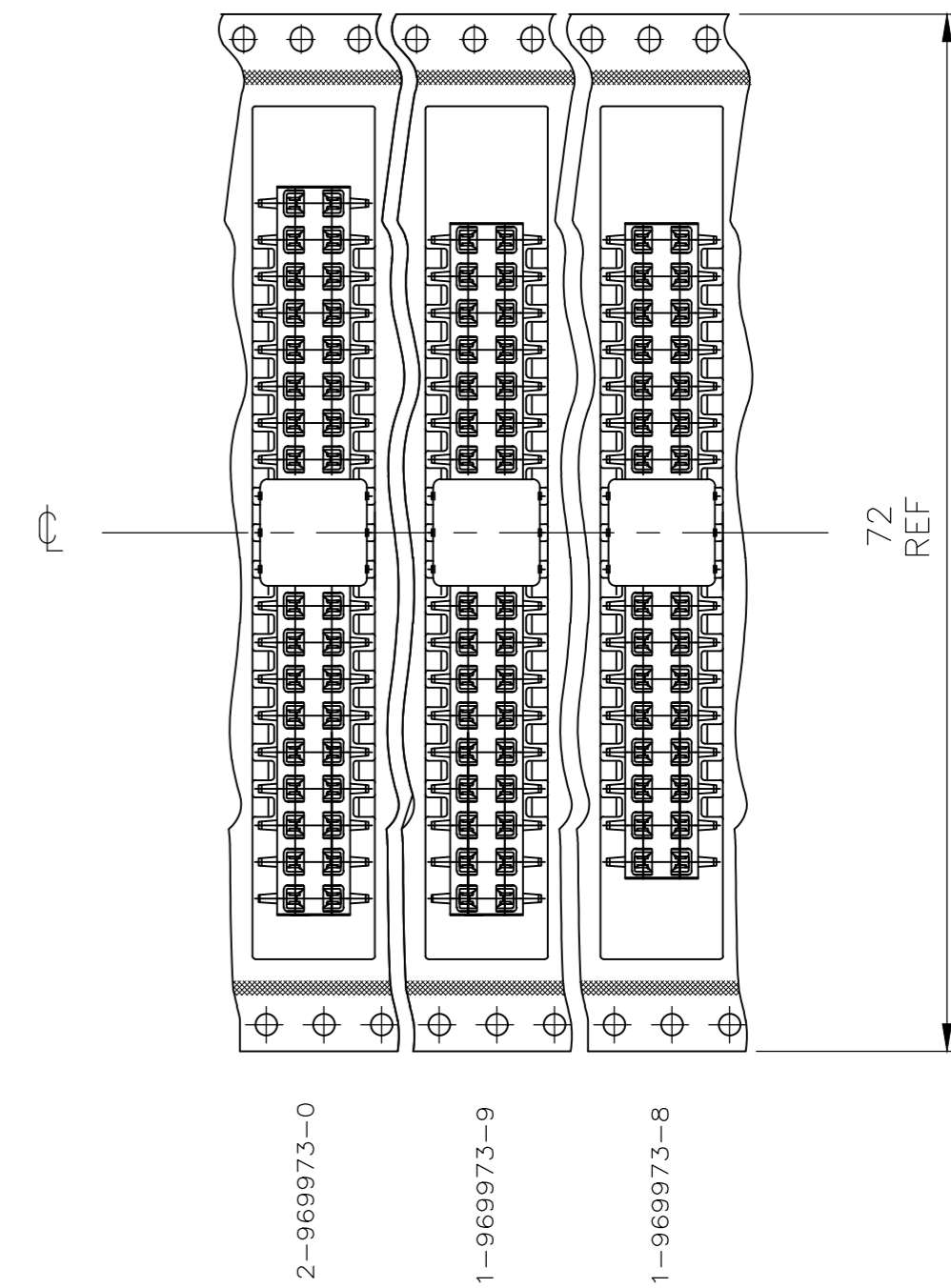
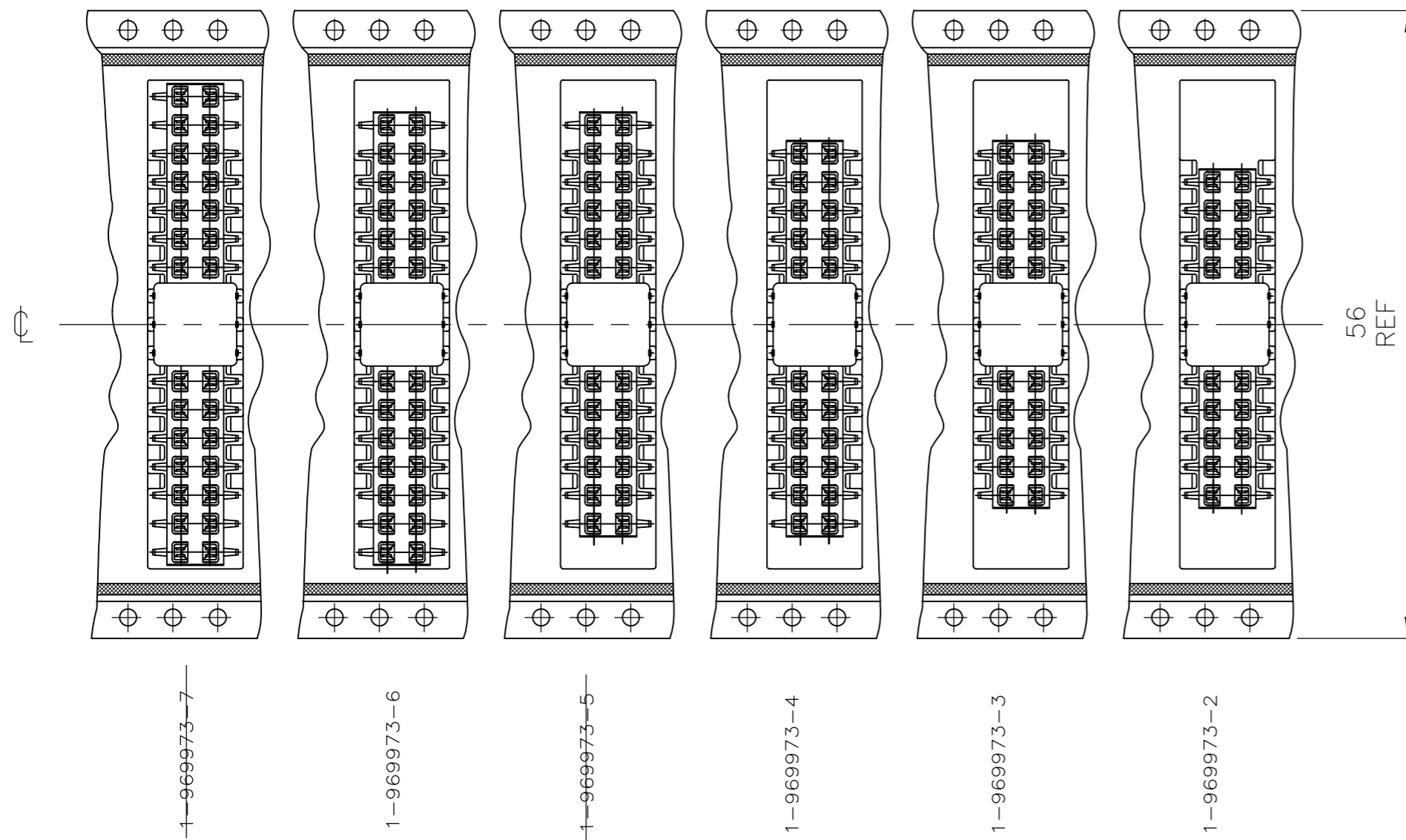


REVISIONS				
P	LTR	DESCRIPTION	DATE	APVD
-	-	SEE SHEET 1	-	-

DETAIL X  
EINZELHEIT X



ABWICKELRICHTUNG  
DIRECTION OF THE TOP OF THE REEL



THIS DRAWING IS A CONTROLLED DOCUMENT.		DWN M. STEIN 20-OCT-97	TE Connectivity	
DIMENSIONS: mm		CHK F.REICHARDT 20-OCT-97		
TOLERANCES UNLESS OTHERWISE SPECIFIED:		APVD G. Feldmeier	NAME	
0 PLC ± 0.2 1 PLC ± 0.1 2 PLC ± 0.1 3 PLC ± - 4 PLC ± - ANGLES ± -		PRODUCT SPEC 108-19056	HV100 REC. CONNECTOR, SMD, DOUBLE ROW WITH ADAPTER PACKED IN BLISTER BELT	
MATERIAL SEE TABLE		FINISH SEE TABLE	WEIGHT	RESTRICTED TO
		CUSTOMER DRAWING	SCALE 1:2	SHEET 3 OF 4
			SIZE A2	REV E4
			CAGE CODE 00779	DRAWING NO. C=969973

# Mouser Electronics

Authorized Distributor

Click to View Pricing, Inventory, Delivery & Lifecycle Information:

[TE Connectivity:](#)

[969973-5](#)