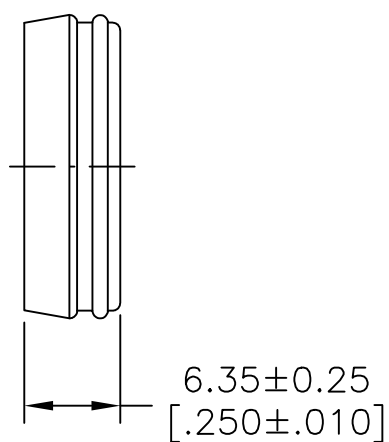
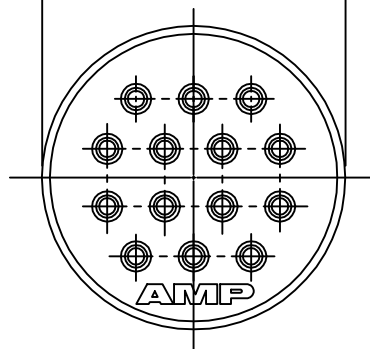


REVISIONS

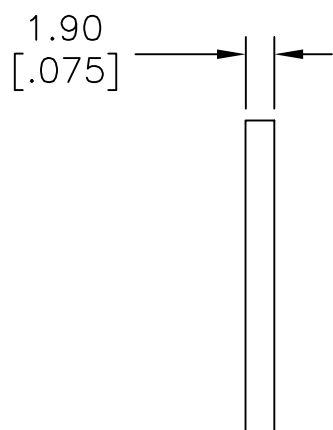
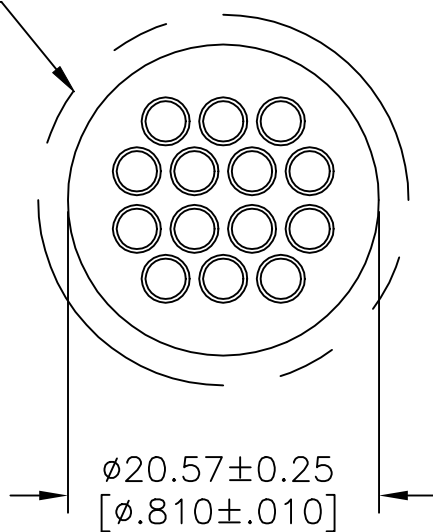
P	LTR	DESCRIPTION	DATE	DWN	APVD
	B	REV PER EC 0320-144-97	05MAY97	CO	AF
	C	REV PER ECR-18-000581	22JAN2018	RS	MZ

$\phi 20.07 \pm 0.25$
[$\phi .790 \pm .010$]

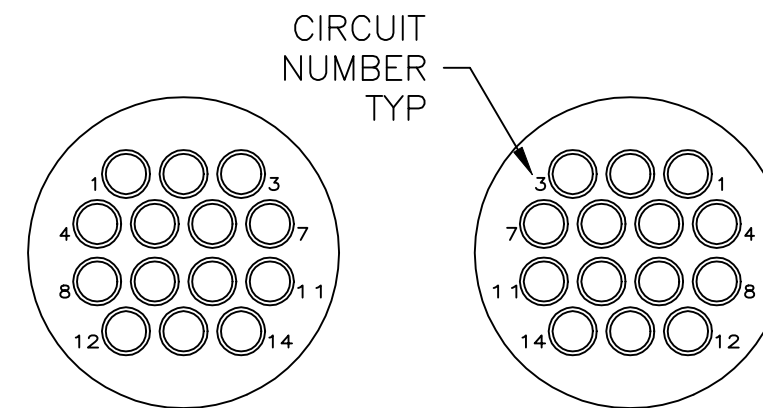


SEAL
MATERIAL: SILICON, RED IRON OXIDE
QTY=1

SEE TABLE
FOR CAVITY
IDENTIFICATION
DETAIL



PRESSURE PLATE
MATERIAL: NYLON, BLACK
QTY=1



DETAIL A

DETAIL B

- 1 DETAIL "A" FOR USE WITH SOCKET CONTACTS.
- 2 DETAIL "B" FOR USE WITH PIN CONTACTS.
- 3 INSULATION RANGE: $\phi 1.90$ [$\phi .075$] TO $\phi 2.54$ [$\phi .100$]

PER DETAIL B	213919-2
PER DETAIL A	213919-1
CAVITY IDENT	PART NUMBER

THIS DRAWING IS A CONTROLLED DOCUMENT.		DWN W.G.LENKER 09 OCT 95	TE Connectivity Ltd.		
DIMENSIONS: mm [INCHES]		CHK R.STONE 11 OCT 95			
TOLERANCES UNLESS OTHERWISE SPECIFIED:		APVD A.FRANTUM 11 OCT 95	NAME WIRE ENTRY SEAL KIT, UNASSEMBLED, SIZE 17-14, CPC		
		PRODUCT SPEC 108-1579	SIZE A3		
MATERIAL SEE CALLOUTS		FINISH -	APPLICATION SPEC -	CAGE CODE 00779	DRAWING NO C=213919
CUSTOMER DRAWING			RESTRICTED TO -	SCALE 2:1	SHEET 1 OF 1
			REV C		

Mouser Electronics

Authorized Distributor

Click to View Pricing, Inventory, Delivery & Lifecycle Information:

[TE Connectivity:](#)

[213919-2](#)