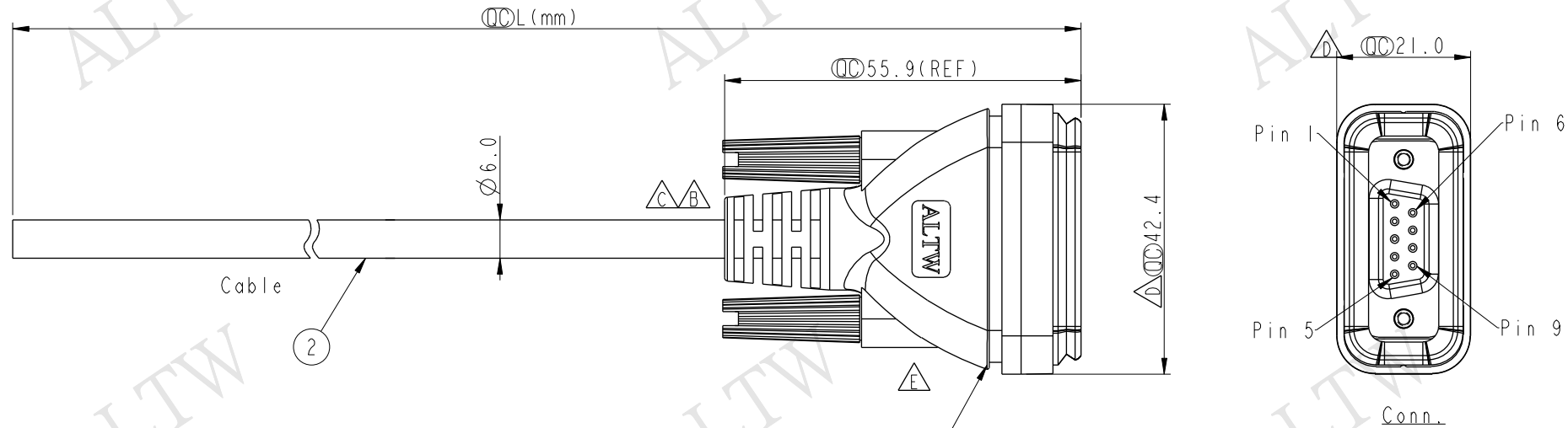


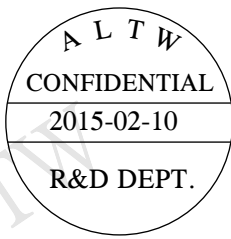
THIS DOCUMENT IS SUBJECT TO CHANGE WITHOUT NOTICE. IT IS CONFIDENTIAL AND A PROPERTY OF AMPHENOL LTW. DISCLOSURE TO THIRD PARTY HAS TO BE AUTHORIZED BY AMPHENOL LTW.

REV.	ECN NO.	DATE	SIGN	DESCRIPTION
C	LEN-930197~201	2009/01/12	Li Xiu Zhi	Change SR
D	LEN1350253~258	2013/05/20	Yulong	Change the Dimension
E	LEN1520271~276	2015/02/10	Ruru	Change Logo



SDB-09AFFM-SL7AXX

XX: 01~99Meter
 01: 01Meter
 02: 02Meter
 ...
 99: 99Meter



Note:

- * \varnothing Important Dimension
- * Waterproof Rate: IP67
- * Connector: D-SUB 9Pin Female
- * Gasket: EPDM, Black
- * Screw: Steel, Nickel Plated
- * Cable: UL2464 24AWG*9C+Drain+Al/My, pvc Jacket UV Resistant OD=6.0mm, Black
- * Cable Length Tolerance:
 - 01M~05M: 60mm
 - 06M~10M: 100mm
 - 11M~30M: 200mm
 - 31M~99M: 500mm

Shell	Drain	地線
9	Black	黑
8	Red	紅
7	Pink	粉紅
6	Gray	灰
5	Yellow	黃
4	Green	綠
3	White	白
2	Blue	藍
1	Brown	棕
Pin	Wire Color	
Pin Out		

UNIT:mm TOLERANCE ± 0.5	TITLE D-SUB Conn Cable Screw DB9P F Conn F Pin		Amphenol LTW 安費諾亮泰企業股份有限公司	ITEM NO	DRAWN BY Ruru	DATE 2015-02-10		
	SCALE 1:1	SIZE A4		SHEET 1	OF 1	DWG NO SDB-09AFFM-SL7AXX	CHECKED BY Rita	DATE 2015-02-10
	REV. E	WC-REV. A.2		\varnothing : Inspection item		CUSTOMER ALTW	APPROVED BY Lion	DATE 2015-02-10

Mouser Electronics

Authorized Distributor

Click to View Pricing, Inventory, Delivery & Lifecycle Information:

[Amphenol:](#)

[SDB-09AFFM-SL7A10](#) [SDB-09AFFM-SL7A02](#) [SDB-09AFFM-SL7A05](#)