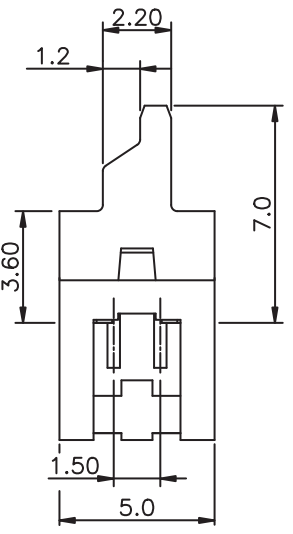
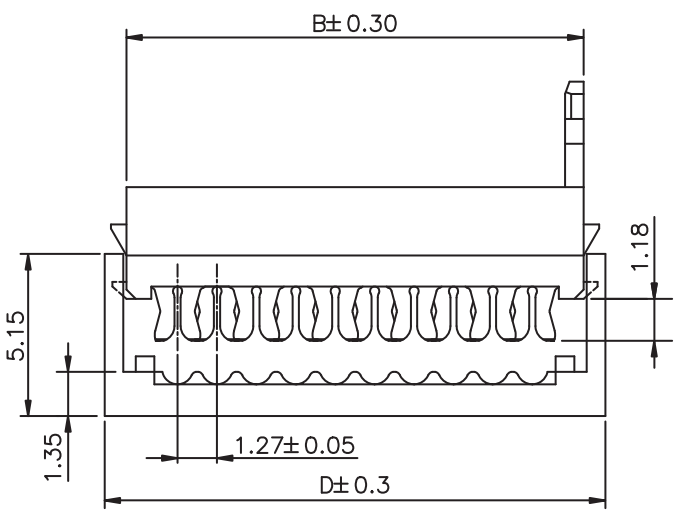
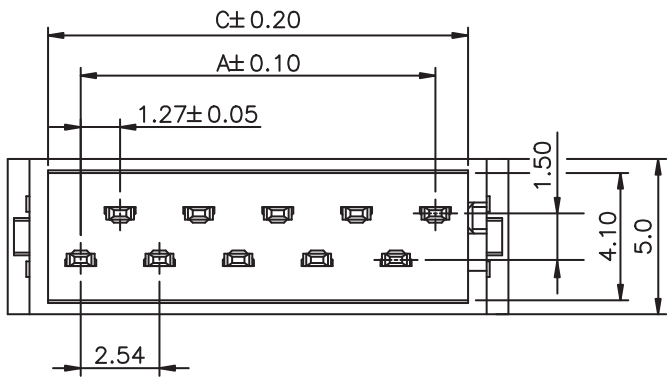


1 2 3 4 5



MATERIAL:  
 HOUSING MATERIAL: GLASS FILLED POLYESTER  
 FLAMABILITY RATING: UL94-V0  
 COLOR: RED  
 MAX TEMP.: 260°C 10s  
 CONTACT MATERIAL: PHOSPHOR BRONZE  
 CONTACT TYPE: STAMPED  
 CONTACT PLATING: MATT TIN OVER NICKEL  
 QUALITY CLASS: 25 MATING CYCLES  
 PITCH: 2.54 MM PER ROW  
 1.27 MM RIBBON CABLE

ENVIRONNEMENTAL:  
 OPERATING TEMPERATURE: -40°C UP TO 105°C  
 COMPLIANCE: LEAD FREE AND ROHS

ELECTRICAL:  
 CURRENT RATING: 1.0 A PER PIN (CABLE)  
 WORKING VOLTAGE: 100VAC  
 INSULATION RESISTANCE: >1000MOHM  
 DIELECTRIC WITHSTANDING VOLT.: 500VAC/MN  
 CONTACT RESISTANCE: 10mOHM MAX

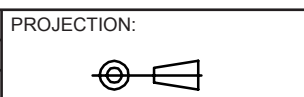
STANDARD  
 RoHS CERTIFIED: E323964 / MOD. NUMBER 69015700xx7x

DIMENSION:  
 DIM.A= 1.27 x No. of Spaces  
 DIM.B= DIM.A + 3.3  
 DIM.C= DIM.A + 2.1  
 DIM.D= DIM.A + 4.7

AVAILABLE  
 xx : 4 TO 26 CIRCUITS

PACKAGING: TUBE

RoHS Compliant			
G			
F			
E			
D	13-NOV-13	DWG UPDATE	QL
C	07-APR-10	PINNING	JP
B	09-MAR-10	STANDARD	JP
A	03-NOV-06	PDF	JP
REV	DATE	FILE	BY



GENERAL TOLERANCE  
 .X = +/- 0.2  
 .XX = +/- 0.15



APPROVAL: RJ

UNIT: MM  
 SCALE:  
 SHEET: 1/1  
 DRAW: EAGER

DESCRIPTION: MM MALE IDC CONNECTOR  
 WERI PART NO: 690 157 00 xx 72

SIZE  
**A4**

A  
 B  
 C  
 D