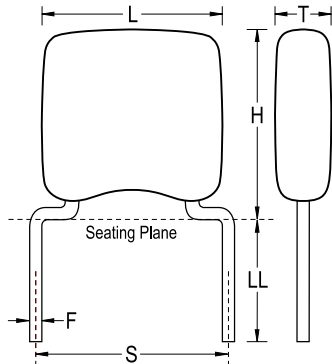


GoldMax 300 Comm Z5U, Ceramic, 0.1 uF, 20%, 50 VDC, Z5U, GoldMax, Commercial Standard, Lead Spacing = 6.35mm



### Dimensions

<b>L</b>	5.08mm MAX
<b>H</b>	6.6mm MAX
<b>T</b>	3.18mm MAX
<b>S</b>	6.35mm +/-0.78mm
<b>LL</b>	7mm MIN
<b>F</b>	0.51mm +0.1/-0.025mm

### Packaging Specifications

<b>Packaging:</b>	Bulk, Bag
<b>Packaging Quantity:</b>	500

### General Information

<b>Series:</b>	GoldMax 300 Comm Z5U
<b>Style:</b>	Radial
<b>Description:</b>	GoldMax, Commercial Standard
<b>RoHS:</b>	Yes
<b>Termination:</b>	Tin
<b>Failure Rate:</b>	N/A
<b>AEC-Q200:</b>	No
<b>Halogen Free:</b>	Yes

### Specifications

<b>Capacitance:</b>	0.1 uF
<b>Measurement Condition:</b>	1 kHz 1.0Vrms
<b>Capacitance Tolerance:</b>	20%
<b>Voltage DC:</b>	50 VDC
<b>Dielectric Withstanding Voltage:</b>	125 VDC
<b>Temperature Range:</b>	+10/+85°C
<b>Temperature Coefficient:</b>	Z5U
<b>Capacitance Change with Reference to +25°C and 0 VDC Applied (TCC):</b>	'+22%/-56%, 1kHz 1.0Vrms
<b>Dissipation Factor:</b>	4% 1 kHz 1.0Vrms
<b>Aging Rate:</b>	7% Loss/Decade Hour
<b>Insulation Resistance:</b>	1 GOhms