

Altech Corp.[®]



ISO 9001
QMI-SAI Global

Serving the Automation & Control Industry since 1984

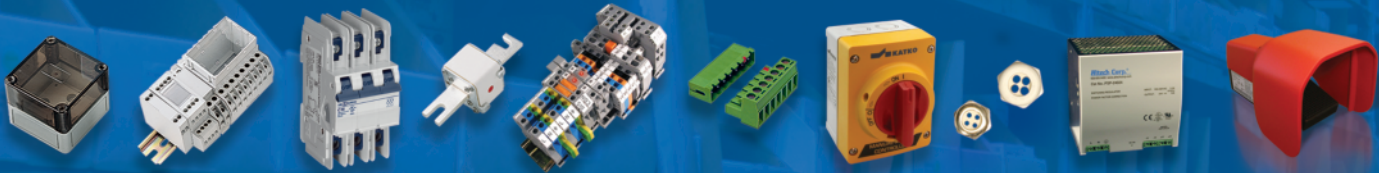


Motor Disconnect Switches

Altech Corp.®

Since 1984, Altech Corporation has grown to become a leading supplier of automation and industrial control components. Headquartered in Flemington, NJ, Altech has an experienced staff of engineering, manufacturing and sales personnel to provide the highest quality products with superior service. This is the Altech Commitment!

With experienced Product Engineers and Customer Service personnel, Altech provides solutions to your most pressing application challenges. All with one thought in mind - *to ensure that we solve your problem the first time!*



Altech's Commitment

Altech's Automation and Control components meet applicable national and international standards, such as UL, NEC, CSA, IEC and VDE. Altech provides these products with superior customer service and delivery through a ISO 9001 Quality Management system, which stresses continuous process improvement. We perform these services with honesty and integrity. All Altech employees are trained in this Quality Management System and are dedicated to achieve these goals. Altech's quality system has been ISO approved since 1999.

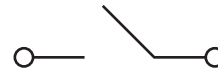


MOTOR DISCONNECT SWITCHES

FEATURES AND BENEFITS:

- One of the smallest 80 A switches in the industry
- Advanced switch technology (use of silver contacts ensures safe and durable operation)
- Across the line, motor starting - up to 75 hp/600V
- General Use Rating - 16 A to 150 A/600V
- Available as rotary switches for extended or direct handle applications
- Toggle switches
- Non-fused switch
- Short Circuit Withstand Rating of 10 kA with back-up fuse
- DIN Rail and panel mount available
- Comprehensive range of accessories
- Snap on auxiliary contacts
- Enclosed switches have UL Listed Type 4 and/or 4X rating; watertight
- Operating temperature is -20 °C to +40 °C

UL60947-4-1A (Formerly UL508) Listed Manual Motor Controllers



with Disconnecting Means



E185115

AC Motor Across-The-Line
AC General Use



EXTENDED / DIRECT HANDLE MOTOR DISCONNECT SWITCH

KU/VKA switches4-5



EXTENDED / DIRECT HANDLE ACCESSORIES

Extended Handle Accessories6-7
Direct Handle Accessories8
OKA/KU Door Mounting Kit9
OKA Door Mounting Kit10
OKA/VKA Door Mounting Kit11



TOGGLE HANDLE MOTOR DISCONNECT SWITCH

KUE/EVA Switches and Accessories12-13



POLYCARBONATE ENCLOSED MOTOR DISCONNECT SWITCHES & FUSED ENCLOSED MOTOR DISCONNECT SWITCH (30 A)

KEM Switches and Accessories14-15
KKVM Fused Switch and Accessories15



ALUMINUM ENCLOSED MOTOR DISCONNECT SWITCHES

KEA Switches and Accessories16-17



SHEET METAL ENCLOSED MOTOR DISCONNECT SWITCHES

KET Switches and Accessories18-19



STAINLESS STEEL ENCLOSED MOTOR DISCONNECT SWITCHES

KER Switches and Accessories20-21

INDEX22

TERMS AND CONDITIONS23

Extended/Direct Handle Motor Disconnect Switch

The KU...N series can be used with extended and direct handles (see page 6-11 for details).



Catalog Number	KU316N	KU325N	KU340N	KU363N	KU380N
No. of Poles	3 (4 pole - KU416N)	3 (4 pole - KU425N)	3 (4 pole - KU440N)	3 (4 pole - KU463N)	3 (4 pole - KU480N)
General Purpose Current	16 A	25 A	40 A	60 A	80 A
Maximum Voltage	600V AC	600V AC	600V AC	600V AC	600V AC
Motor FLA @ 480V AC	14 A	21 A	27 A	34 A	40 A
Motor FLA @ 600V AC	9 A	11 A	17 A	27 A	32 A

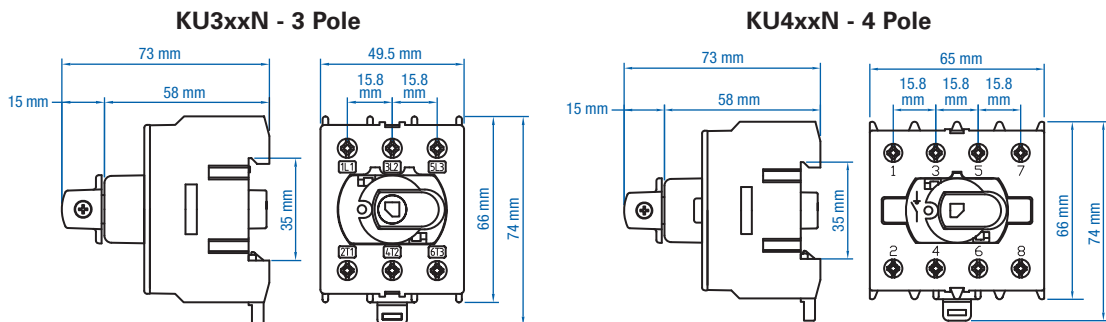
Horsepower Rating/HP	1 Phase		3 Phase		1 Phase		3 Phase		1 Phase		3 Phase	
	110-120V AC	1	2	1.5	3	2	3	3	5	5	7.5	10
200V AC	1.5	3	2	5	3	7.5	5	10	7.5	10	15	20
208V AC	1.5	3	2	5	3	7.5	5	10	7.5	10	15	20
220-240V AC	2	3	3	5	5	7.5	7.5	10	10	15	20	25
265V AC	-	5	-	7.5	-	10	-	10	-	15	-	20
277V AC	-	5	-	7.5	-	10	-	10	-	15	-	20
380-415V AC	-	7.5	-	10	-	15	-	20	-	25	-	30
440-480V AC	-	10	-	15	-	20	-	25	-	30	-	35
550-600V AC	-	7.5	-	10	-	15	-	25	-	30	-	35

Short Circuit Withstand Rating at 600 V with Max. Fuse Size/Class:	10 kA	10 kA	10 kA	10 kA	10 kA
K5	30 A	30 A	30 A	30 A	30 A
RK5	30 A	30 A	30 A	30 A	30 A
RK1	60 A	60 A	60 A	60 A	60 A
J	80 A	80 A	80 A	100 A	100 A

Terminal Size Acceptability	14-8 AWG	14-8 AWG	14-8 AWG	12-4 AWG	12-4 AWG
(Cu Conductors only, 75 °C)					
Terminal Torque	16 lb. in. (1.8 Nm)	16 lb. in. (1.8 Nm)	16 lb. in. (1.8 Nm)	16 lb. in. (1.8 Nm)	16 lb. in. (1.8 Nm)
Screw Head Type	No. 2 Pozidrive	No. 2 Pozidrive	No. 2 Pozidrive	No. 2 Pozidrive	No. 2 Pozidrive

Dimensions

(to convert to inches multiply by 0.03937)



Weight	0.172 kg (0.379 lb.) (3 pole)	0.172 kg (0.379 lb.) (3 pole)	0.172 kg (0.379 lb.) (3 pole)	0.200 kg (0.441 lb.) (3 pole)	0.200 kg (0.441 lb.) (3 pole)
	0.215 kg (0.474 lb.) (4 pole)	0.215 kg (0.474 lb.) (4 pole)	0.215 kg (0.474 lb.) (4 pole)	0.245 kg (0.540 lb.) (4 pole)	0.245 kg (0.540 lb.) (4 pole)

Suitable Accessories

Extended Handle Applications (Door Interlock Mechanism)

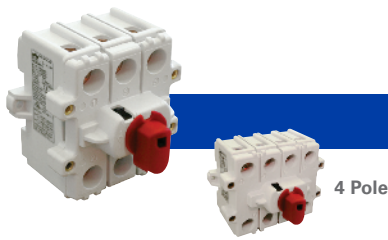
Shaft	L(1,2,3)00AD11-ST	L(1,2,3)00AD11-ST	L(1,2,3)00AD11-ST	L(1,2,3)00AD11-ST	L(1,2,3)00AD11-ST
Handles	LK10 (Y/R) UL, LK11 (Y/R) U	LK10 (Y/R) UL, LK11 (Y/R) U	LK10 (Y/R) UL, LK11 (Y/R) U	LK10 (Y/R) UL, LK11 (Y/R) U	LK10 (Y/R) UL, LK11 (Y/R) U
Auxiliary Switch	KU1.V, KU2.V	KU1.V, KU2.V	KU1.V, KU2.V	KU1.V, KU2.V	KU1.V, KU2.V
Fuse Holder	—	—	KV 10x38, KV 10x38 CC	—	—

Direct Handle Applications

Handle for 3 Pole	K/KU3P (Y/R)	K/KU3P (Y/R)	K/KU3P (Y/R)	K/KU3P (Y/R)	K/KU3P (Y/R)
Handle for 4 Pole	K/KU4P (Y/R)	K/KU4P (Y/R)	K/KU4P (Y/R)	K/KU4P (Y/R)	K/KU4P (Y/R)
Door Mounting Kits	OKA/KU LK10 x; OKA x	OKA/KU LK10 x; OKA x	OKA/KU LK10 x; OKA x	OKA/KU LK10 x; OKA x	OKA/KU LK10 x; OKA x

Extended/Direct Handle Motor Disconnect Switch

The VKA...N series can be used with extended and direct handles (see page 6-11 for details).



Catalog Number	VKA380N	VKA3100N	VKA3125N	VKA3160N
No. of Poles	3 (4 pole - VKA480N)	3 (4 pole - VKA4100N)	3 (4 pole - VKA4125N)	3 (4 pole - VKA4160N)
General Purpose Current	80 A	100 A	125 A	150 A
Maximum Voltage	600V AC	600V AC	600V AC	600V AC
Motor FLA @ 480V AC	-	-	-	-
Motor FLA @ 600V AC	47 A	54 A	68 A	83 A

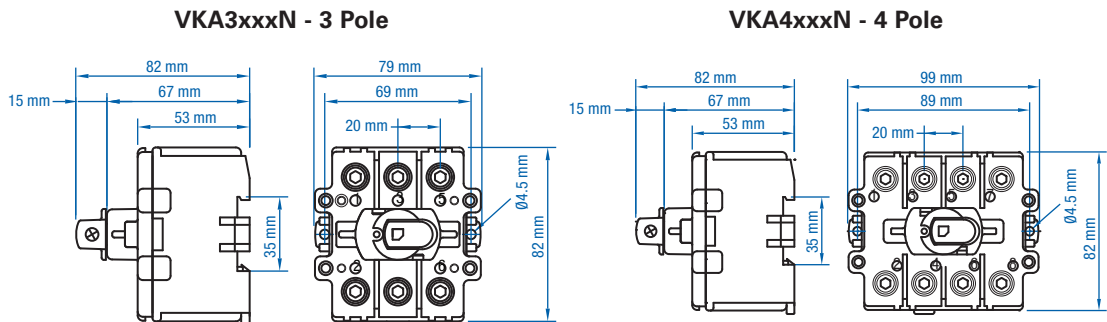
Horsepower Rating/HP	VKA380N		VKA3100N		VKA3125N		VKA3160N	
	1 Phase	3 Phase	1 Phase	3 Phase	1 Phase	3 Phase	1 Phase	3 Phase
110-120V AC	3	7.5	3	7.5	5	10	7.5	10
200V AC	7.5	10	7.5	15	10	20	10	25
208V AC	7.5	15	7.5	15	10	20	10	25
220-240V AC	7.5	15	10	20	15	25	15	30
265V AC	10	20	10	20	15	25	20	30
277V AC	10	20	10	20	15	30	20	30
380-415V AC	15	25	15	30	20	40	25	50
440-480V AC	20	30	20	40	25	50	30	60
550-600V AC	25	40	30	50	30	60	40	75

Short Circuit Withstand Rating at 600 V with Max. Fuse Size/Class:	VKA380N	VKA3100N	VKA3125N	VKA3160N
K5	150 A	150 A	150 A	150 A
RK5	150 A	150 A	150 A	150 A
RK1	-	-	-	-
J	200 A	200 A	200 A	200 A

Terminal Size Acceptability	VKA380N	VKA3100N	VKA3125N	VKA3160N
(Cu Conductors only, 75 °C)	8-1/0 AWG	8-1/0 AWG	8-1/0 AWG	8-1/0 AWG
Terminal Torque	50 lb. in. (5.6 Nm)	50 lb. in. (5.6 Nm)	50 lb. in. (5.6 Nm)	50 lb. in. (5.6 Nm)
Screw Head Type	5 mm Allen Key	5 mm Allen Key	5 mm Allen Key	5 mm Allen Key

Dimensions

(to convert to inches multiply by 0.03937)



Weight	VKA380N	VKA3100N	VKA3125N	VKA3160N
	0.480 kg (1.058 lb.) (3 pole) 0.620 kg (1.367 lb.) (4 pole)	0.480 kg (1.058 lb.) (3 pole) 0.620 kg (1.367 lb.) (4 pole)	0.480 kg (1.058 lb.) (3 pole) 0.620 kg (1.367 lb.) (4 pole)	0.480 kg (1.058 lb.) (3 pole) 0.620 kg (1.367 lb.) (4 pole)

Suitable Accessories

Extended Handle Applications (Door Interlock Mechanism)

Shaft	VKA380N	VKA3100N	VKA3125N	VKA3160N
Handles	L(1,2,3)00AD11-ST LK10 (Y/R) UL, LK11 (Y/R) U	L(1,2,3)00AD11-ST LK10 (Y/R) UL, LK11 (Y/R) U	L(1,2,3)00AD11-ST LK10 (Y/R) UL, LK11 (Y/R) U	L(1,2,3)00AD11-ST LK10 (Y/R) UL, LK11 (Y/R) U
Auxiliary Switch	VKA1.V, VKA2.V	VKA1.V, VKA2.V	VKA1.V, VKA2.V	VKA1.V, VKA2.V
Fuse Holder	-	-	-	-

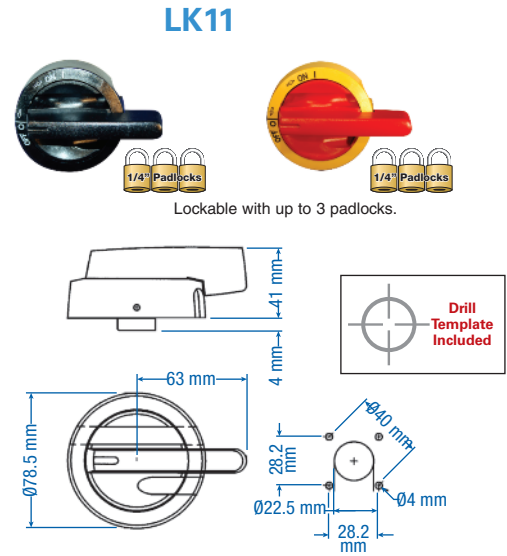
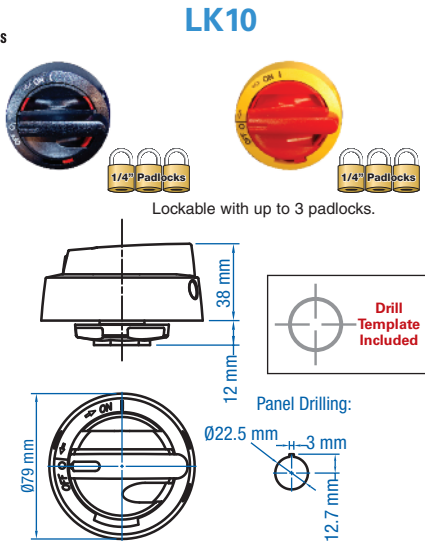
Direct Handle Applications

Handle for 3 & 4 Pole	K/VKA3-4P (Y/R)	K/VKA3-4P (Y/R)	K/VKA3-4P (Y/R)	K/VKA3-4P (Y/R)
Door Mounting Kits	OKA/VKA x	OKA/VKA x	OKA/VKA x	OKA/VKA x

Extended Handle Accessories  

DOOR INTERLOCK HANDLES
(padlockable with up to three 1/4" padlocks)

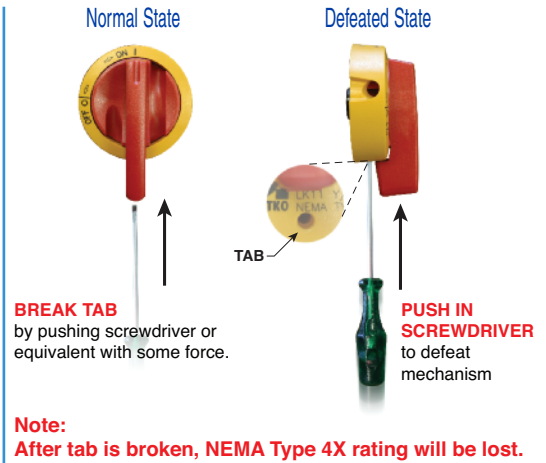
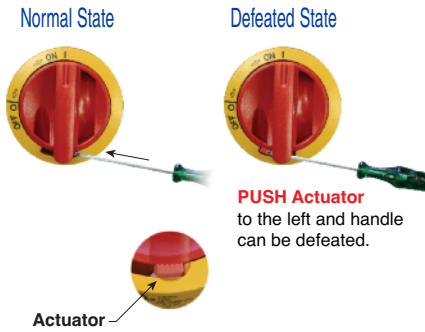
- LK10 (Y/R) UL:**
- Single hole mounting (22.5 mm)
- LK11 (Y/R) U:**
- Retention mechanism (only rotates 90° from off to on, keeps handle in off position while cabinet door is open)




Cat. No.	LK10 UL	LK10 Y/R UL	LK11 U	LK11 Y/R U
Environmental Rating (UL) (IEC)	UL Type 4X IP66	UL Type 4X IP66	UL Type 4X IP67	UL Type 4X IP67
Color	Black	Yellow/Red	Black	Yellow/Red

DEFEATABLE MECHANISM - OPERATING INSTRUCTIONS

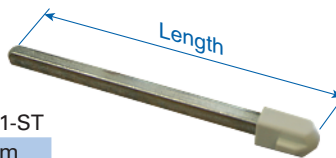
The defearer mechanism allows a screwdriver to be inserted to release the lock and open the door with the mechanism in the ON position.



 **Warning: The defearer mechanism should only be used by a trained professional.**

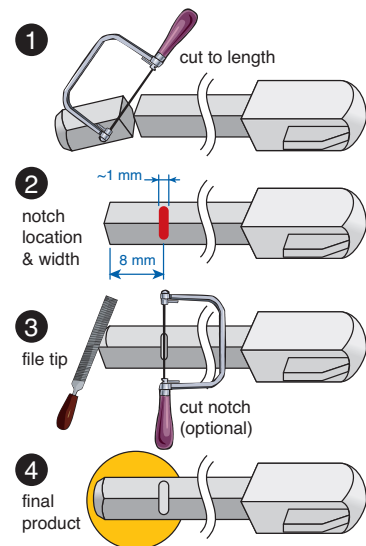
DOOR INTERLOCK SHAFT

The steel shaft ensures reliable operation even in the toughest conditions.

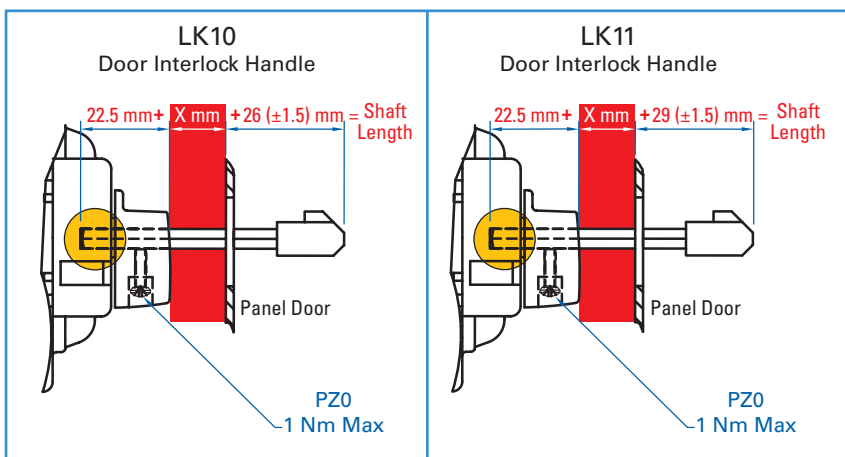


Cat. No.	L100 AD11-ST	L200 AD11-ST	L300AD11-ST
Length (L)	100 mm	200 mm	300 mm
Material	Steel	Steel	Steel

SHAFT CUTTING RECOMMENDATIONS



SHAFT LENGTH CUTTING GUIDELINE



Extended Handle Accessories

AUXILIARY SWITCHES

The auxiliary switches are the snap-on type and can be retrofitted. Makes later and breaks earlier than the main contacts.



Cat. No.	KU1.V	KU2.V	VKA1.V	VKA2.V
Electrical Rating	16 A/1/2HP/125-250V AC	16 A/1/2HP/125-250V AC	16 A/1/2HP/125-250V AC	16 A/1/2HP/125-250V AC
No. of contacts	1n.o./1n.c.	2n.o./2n.c.	1n.o./1n.c.	2n.o./2n.c.
For Use With	KU models	KU models	VKA models	VKA models

FUSE HOLDER

This fuseholder can be retrofitted with the KU340N. Therefore design changes can be incorporated with ease to allow a fusible disconnect.



Kit shown; comes with KU340N and fuse holder.



Cat. No.	KKV 332	KKV 332CC	KV 10x38	KV 10x38 CC
Electrical Rating*	30 A/600V AC	30 A/600V AC	30 A/600V AC	30 A/600V AC
Fuse Type	10x38, Midget	Class CC	10x38, Midget	Class CC
For Use With	-	-	KU340N	KU340N

Kit Includes

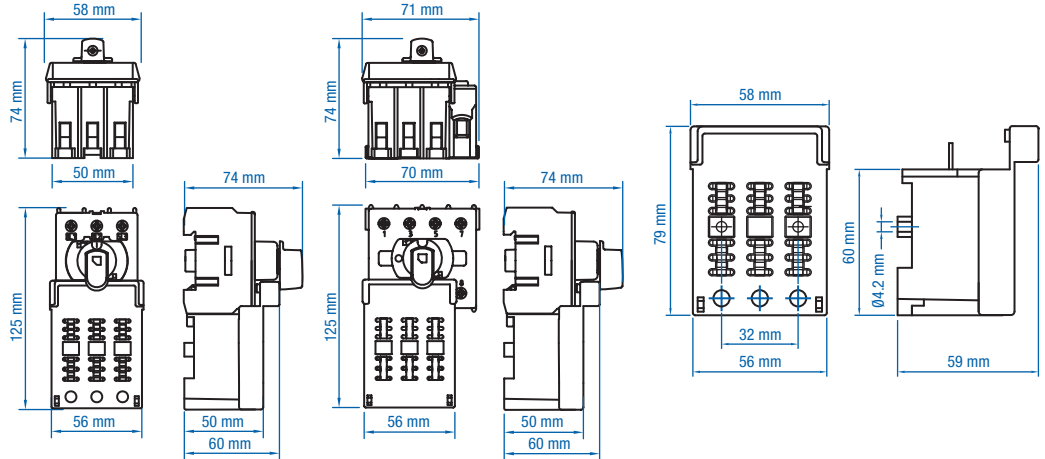
KV 10x38 / KU340N

KV 10x38 CC / KU340N

*For more detailed ratings please see pages 4-5.



Kit shown; comes with switch and fuse holder.



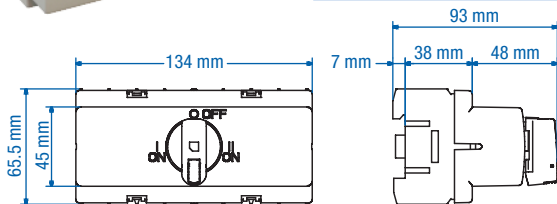
CHANGE-OVER KITS

- For 2 KU switches
- Available with black or yellow/red handle (Y/R)

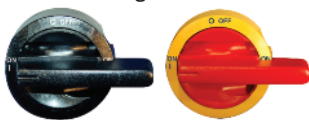


Cat. No. KU3/4P VV
Color Black

Cat. No. KU3/4P VV Y/R
Color Yellow/Red



Matching Handle

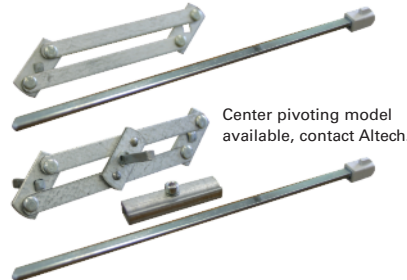


Cat. No. LK11 1-0-2 U
Color Black

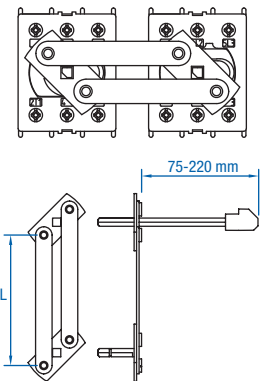
Cat. No. LK11 1-0-2 Y/R U
Color Yellow/Red

PARALLEL KITS

- For KU and VKA-switches
- Assembly depth for KU 155-300 mm
- Assembly depth for VKA 164-310 mm
- Includes 200 mm steel shaft



Center pivoting model available, contact Altech.



Cat. No.	Length (L)	For use with
RV 66S-ST	66 mm	2x KU 3 pole (3P)
RV 80S-ST	80 mm	2x KU 4P/VKA 3P
RV 104S-ST	104 mm	2x VKA 4P

Dimensions (to convert to inches multiply by 0.03937)

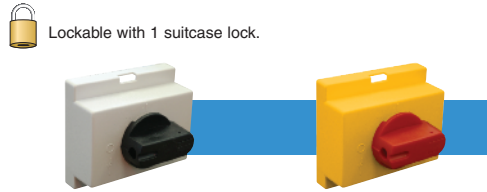
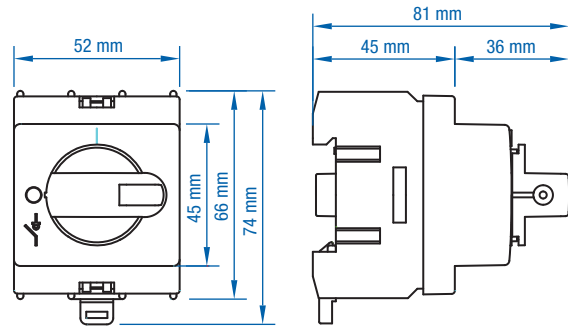
Direct Handle Accessories and Mounting Alternatives

DIRECT HANDLES

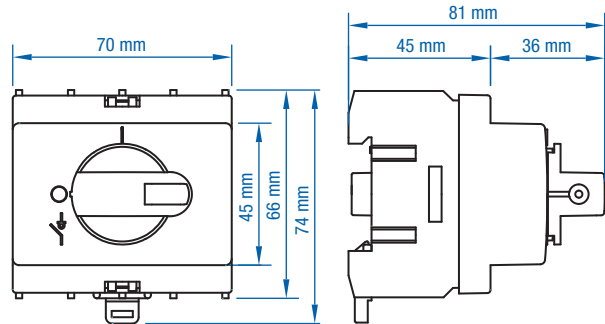
Improved design with metal shaft. Use for all your "inside the panel" applications. 1 suitcase lock location.



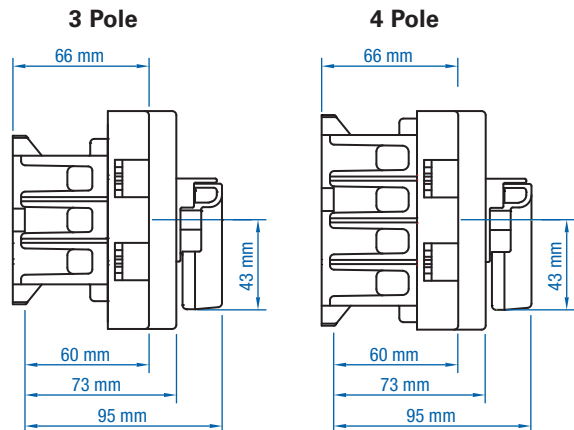
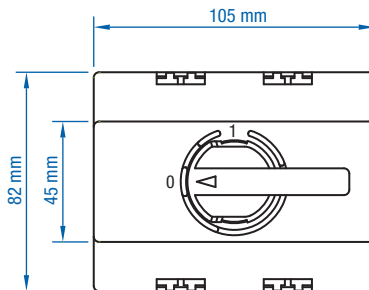
Cat. No.	K/KU3P	K/KU3PY/R
Color	Black	Yellow/Red
For use with	KU models (3P)	KU models (3P)



Cat. No.	K/KU4P	K/KU4PY/R
Color	Black	Yellow/Red
For use with	KU models (4P)	KU models (4P)



Cat. No.	K/VKA3-4P	K/VKA3-4PY/R
Color	Black	Yellow/Red
For use with	VKA models (3/4P)	VKA models (3/4P)

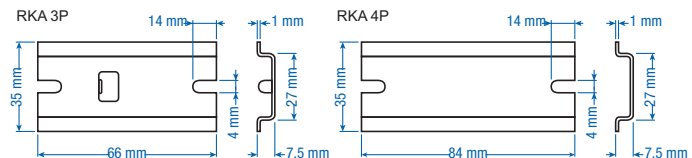


ALUMINUM DIN RAIL

Panel mount option for small Disconnect Switches.



Cat. No.	RKA 3P	RKA 4P
For Use With	KU325/40/63N	KU425/40/63N



NOTE:

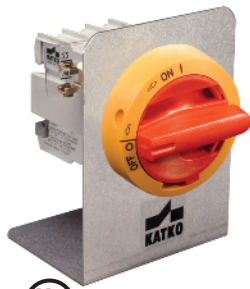
In the rare case that your mounting hardware (screws) for DIN Rail interfere with the enforcement studs in the back of the Motor Disconnect Switch please use smaller ($\leq M3$ or equivalent) flathead screws or change your DIN Rail to the 15mm high version.

Dimensions (to convert to inches multiply by 0.03937)

OKA/KU Door Mounting Kit for KU Switches

Designed for fast and easy assembly. Kit includes handle, shaft, mounting hardware and drill template; it does not include motor disconnect switch.

Environmental Rating (UL): UL Type 4X
(IEC): IP66



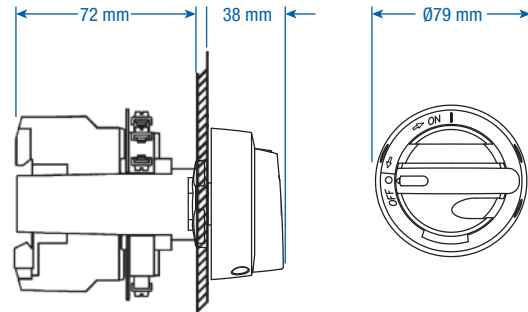
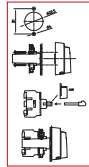
Shown with switch and display plate.
(sold separately)



Lockable with up to 3 padlocks.



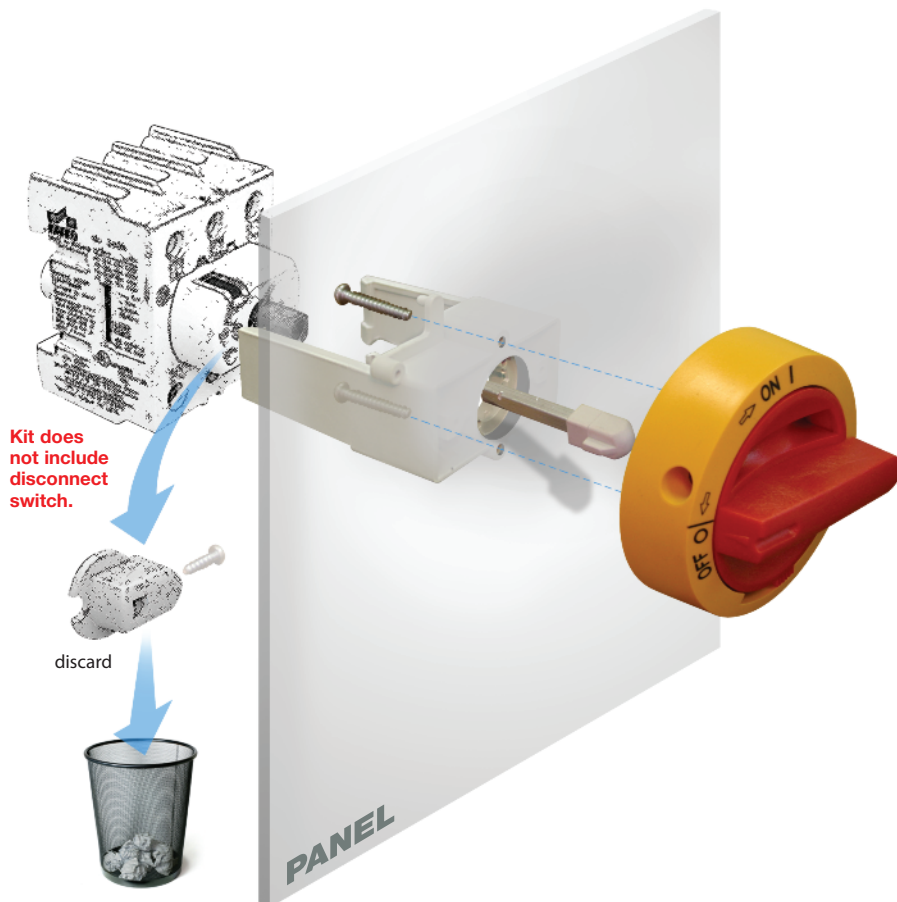
Drill
Template &
Instructions
Included



Cat. No. (Black Handle)	Cat. No. (Yellow/Red Handle)	No. of aux. switches	For use with
OKA/KU LK10	OKA/KU LK10 Y/R	0	3 Pole KU switch
OKA/KU LK10 1.V	OKA/KU LK10 1.VY/R	1	3 Pole KU switch
OKA/KU LK10 2.V	OKA/KU LK10 2.VY/R	2	3 Pole KU switch
OKA/KU4P LK10	OKA/KU4P LK10 Y/R	0	4 Pole KU switch
OKA/KU4P LK10 1.V	OKA/KU4P LK10 1.VY/R	1	4 Pole KU switch
OKA/KU4P LK10 2.V	OKA/KU4P LK10 2.VY/R	2	4 Pole KU switch

Assembly Instructions

Use the enclosed drill template to prepare the door for door mounting kit assembly. Discard the switch handle on the disconnect switch and follow photo-illustration below.



1. Drill the required holes in the door.
2. Fix the handle and the OKA door mounting kit to the door.
3. Remove position indicator from the switch if applicable. Press the shaft (L=52AD11 mm) into the switch. Connect the wires to the terminals.
4. Turn the switch to OFF-position (0). Push the switch in place until the snap-on grips are firmly clipped on both sides of the switch.

WARNING:
Auxiliary contact may be broken if pushed on switch in ON-position (1).

Dimensions (to convert to inches multiply by 0.03937)

OKA Door Mounting Kit for KU Switches

Designed for fast and easy assembly. Kit includes handle, shaft, mounting hardware and drill template; it does not include motor disconnect switch.

Environmental Rating (IEC): IP65



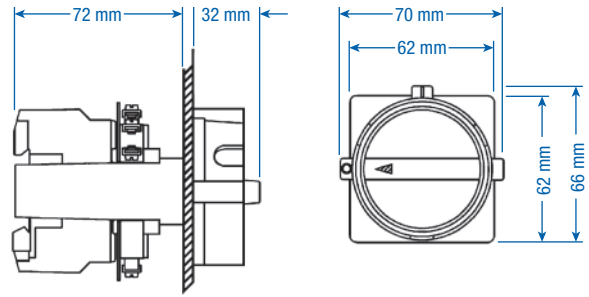
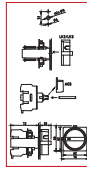
Shown with switch and display plate.
(sold separately)



Lockable with up to 3 padlocks.



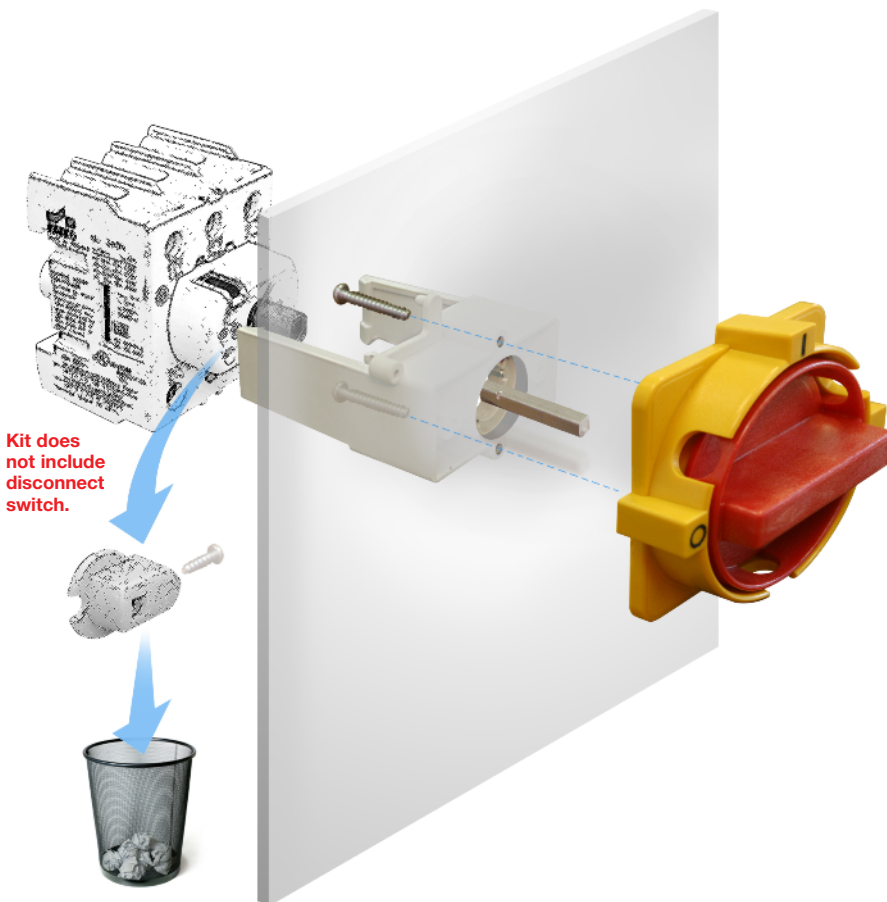
Drill Template & Instructions Included



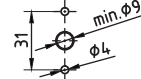
Cat. No. (Black Handle)	Cat. No. (Yellow/Red Handle)	No. of aux. switches	For use with
OKA 0.V	OKA 0.VY/R	0	3 Pole KU switch
OKA 1.V	OKA 1.VY/R	1	3 Pole KU switch
OKA 2.V	OKA 2.VY/R	2	3 Pole KU switch

Assembly Instructions

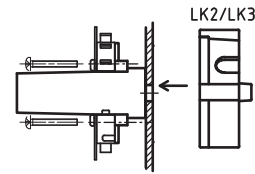
Use the enclosed drill template to prepare the door for door mounting kit assembly. Discard the switch handle on the disconnect switch and follow photo-illustration below.



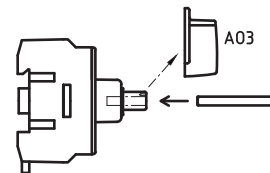
1. Drill required holes in the door/side of panel.



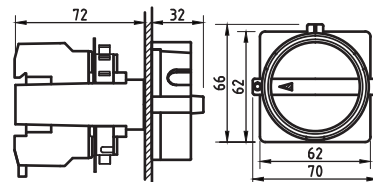
2. Fix the base plate and the OKA door mounting kit to the door.



3. Remove position indicator from the switch if applicable. Press the shaft (L=43 mm) into the switch. Connect the wires to the terminals.



4. Turn the switch to off-position (0). Push the switch in place until the snap-on grips are firmly clipped on both sides of the switch.



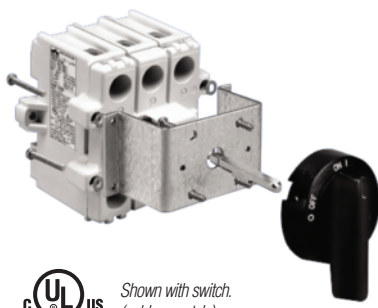
WARNING:
Auxiliary contact may be broken if pushed on switch in on-position (1).

Dimensions (to convert to inches multiply by 0.03937)

OKA/VKA Door Mounting Kit for VKA Switches

Designed for fast and easy assembly. Kit includes handle, shaft, mounting hardware and drill template; it does not include motor disconnect switch.

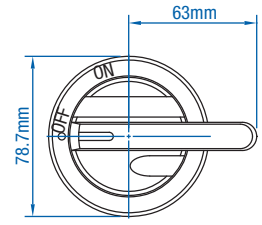
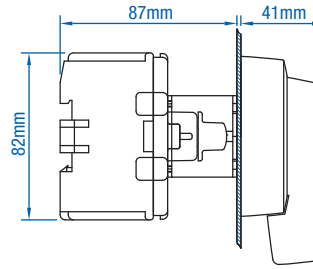
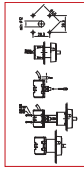
Environmental Rating (UL): **UL Type 4X**
(IEC): **IP66**



Lockable with up to 3 padlocks.



Drill Template & Instructions Included

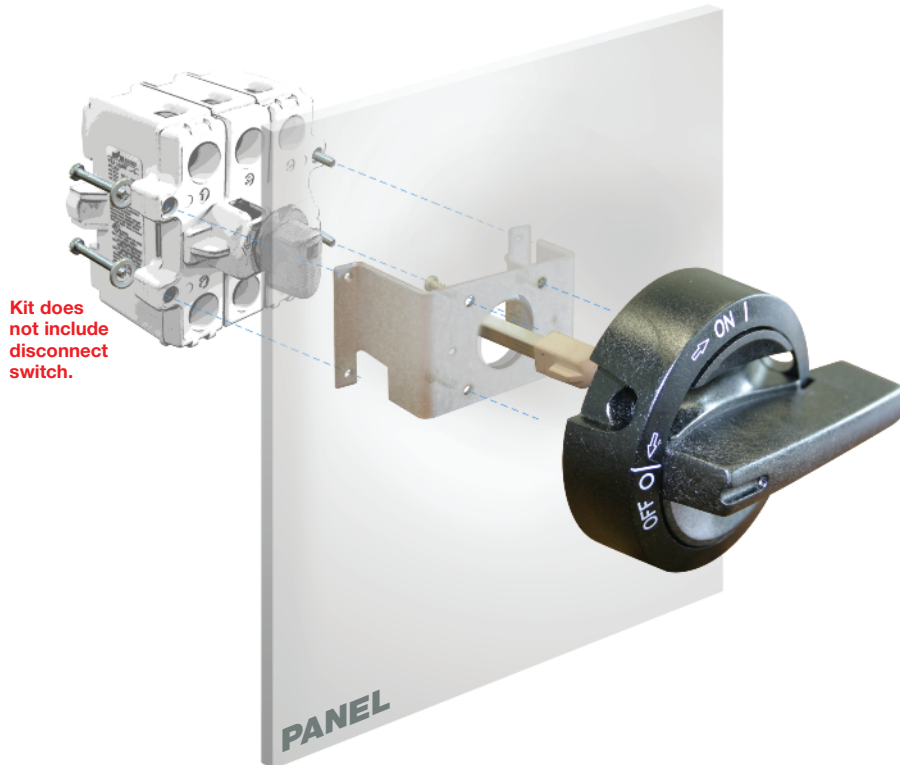


Shown with switch.
(sold separately)

Cat. No. (Black Handle)	Cat. No. (Yellow/Red Handle)	No. of aux. switches	For use with
OKA/VKA 0.V	OKA/VKA 0.VY/R	0	3 Pole VKA switch
OKA/VKA 1.V	OKA/VKA 1.VY/R	1	3 Pole VKA switch
OKA/VKA 2.V	OKA/VKA 2.VY/R	2	3 Pole VKA switch
OKA/VKA4P 0.V	OKA/VKA4P 0.VY/R	0	4 Pole VKA switch
OKA/VKA4P 1.V	OKA/VKA4P 1.VY/R	1	4 Pole VKA switch
OKA/VKA4P 2.V	OKA/VKA4P 2.VY/R	2	4 Pole VKA switch

Assembly Instructions

Use the enclosed drill template to prepare the door for door mounting kit assembly. Discard the switch handle on the disconnect switch and follow illustration below.



1. Drill the required holes in the door.
2. Fix the handle LK11 and the OKA door mounting kit to the door.

Screws PT3.5x10
3. Press the shaft (L=52AD11) into the switch. Connect the wires to the terminals.

17mm
4. Fix the VKA-switch to the OKA plate.


M3
DIN 127
M3x20
DIN 64

Dimensions (to convert to inches multiply by 0.03937)

Toggle Handle Motor Disconnect Switch

The KUE series only requires an additional cover plate (see below) which makes the switch IP20 touch proof.



 Lockable with 1 padlock.



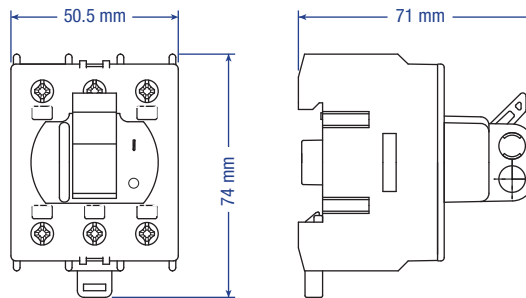
Catalog Number	KUE316	KUE325	KUE340	KUE363	KUE380
No. of Poles	3	3	3	3	3
General Purpose Current	16 A	25 A	40 A	60 A	80 A
Maximum Voltage	600V AC	600V AC	600V AC	600V AC	600V AC
Motor FLA @ 480V AC	14 A	21 A	27 A	34 A	40 A
Motor FLA @ 600V AC	9A	11A	17 A	27 A	32 A

Horsepower Rating/HP	1 Phase	3 Phase	1 Phase	3 Phase	1 Phase	3 Phase	1 Phase	3 Phase	1 Phase	3 Phase
110-120V AC	1	2	1.5	3	2	3	3	5	5	7.5
200V AC	1.5	3	2	5	3	7.5	5	10	7.5	10
208V AC	1.5	3	2	5	3	7.5	5	10	7.5	10
220-240V AC	2	3	3	5	5	7.5	7.5	10	10	15
265V AC	-	5	-	7.5	-	10	-	10	-	15
277V AC	-	5	-	7.5	-	10	-	10	-	15
380-415V AC	-	7.5	-	10	-	15	-	20	-	25
440-480V AC	-	10	-	15	-	20	-	25	-	30
550-600V AC	-	7.5	-	10	-	15	-	25	-	30

Short Circuit Withstand Rating at 600 V with Max. Fuse Size/Class:	10 kA	10 kA	10 kA	10 kA	10 kA
K5	30 A	30 A	30 A	30 A	30 A
RK5	30 A	30 A	30 A	30 A	30 A
RK1	60 A	60 A	60 A	60 A	60 A
J	80 A	80 A	80 A	100 A	100 A

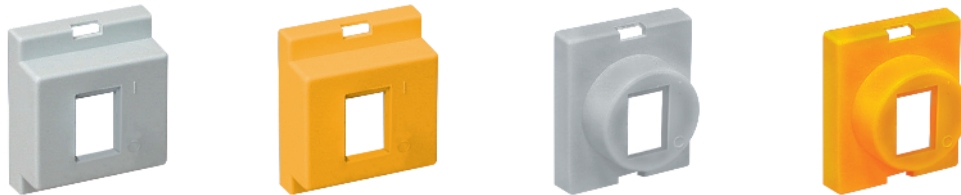
Terminal Size Acceptability (Cu Conductors only, 75 °C)	14-8 AWG	14-8 AWG	14-8 AWG	12-4 AWG	12-4 AWG
Terminal Torque	16 lb. in. (1.8 Nm)	16 lb. in. (1.8 Nm)	16 lb. in. (1.8 Nm)	16 lb. in. (1.8 Nm)	16 lb. in. (1.8 Nm)
Screw Head Type	No. 2 Pozidrive	No. 2 Pozidrive	No. 2 Pozidrive	No. 2 Pozidrive	No. 2 Pozidrive

Dimensions
(to convert to inches multiply by 0.03937)



Weight	0.172 kg (0.379 lb.) (3 pole)	0.172 kg (0.379 lb.) (3 pole)	0.172 kg (0.379 lb.) (3 pole)	0.200 kg (0.441 lb.) (3 pole)	0.200 kg (0.441 lb.) (3 pole)
--------	-------------------------------	-------------------------------	-------------------------------	-------------------------------	-------------------------------

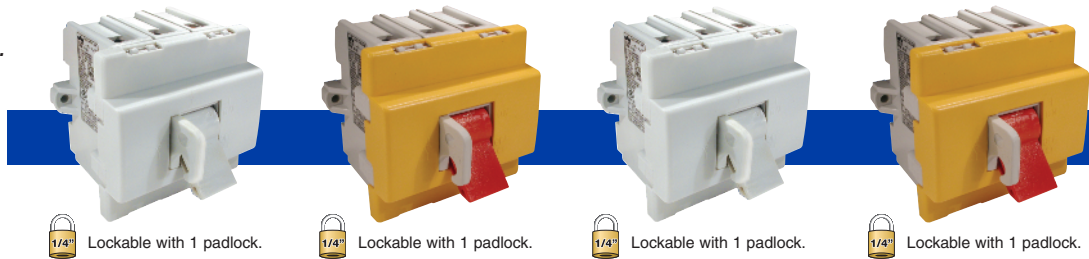
Suitable Accessories Cover Plate



Cat. No.	K/KUE	K/KUEY	R/KUE	R/KUEY
Color	Grey	Yellow	Grey	Yellow
Shape	Rectangular	Rectangular	Circular	Circular

Toggle Handle Motor Disconnect Switch

The EVA series includes a cover plate.



Lockable with 1 padlock.

Lockable with 1 padlock.

Lockable with 1 padlock.

Lockable with 1 padlock.

Catalog Number

White Cover/White Handle
Yellow Cover/Red Handle

	EVA380 + K/EVA EVA380 + K/EVA Y/R	EVA3100 + K/EVA EVA3100 + K/EVA Y/R	EVA3125 + K/EVA EVA3125 + K/EVA Y/R	EVA3160 + K/EVA EVA3160 + K/EVA Y/R
No. of Poles	3	3	3	3
General Purpose Current	80 A	100 A	125 A	150 A
Maximum Voltage	600V AC	600V AC	600V AC	600V AC
Motor FLA @ 480V AC	—	—	—	—
Motor FLA @ 600V AC	47 A	54 A	68 A	83 A

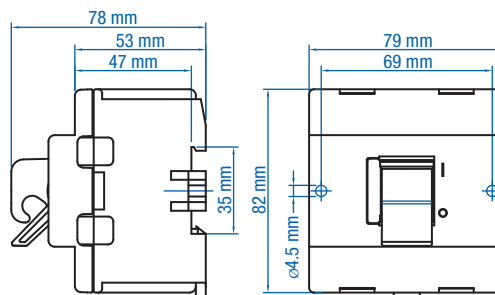
Horsepower Rating/HP	1 Phase		3 Phase		1 Phase		3 Phase		1 Phase		3 Phase	
	3	7.5	7.5	15	5	10	7.5	15	10	20	15	30
110-120V AC	3	7.5	3	7.5	5	10	7.5	10	10	20	15	30
200V AC	7.5	10	7.5	15	10	20	10	15	15	30	20	30
208V AC	7.5	15	7.5	15	10	20	10	15	15	30	20	30
220-240V AC	7.5	15	10	20	15	25	15	20	15	30	20	30
265V AC	10	20	10	20	15	25	15	20	15	30	20	30
277V AC	10	20	10	20	15	30	15	20	15	30	20	30
380-415V AC	15	25	15	30	20	40	20	25	20	40	25	50
440-480V AC	20	30	20	40	25	50	25	30	25	50	30	60
550-600V AC	25	40	30	50	30	60	30	40	30	60	40	75

Short Circuit Withstand Rating at 600V with Max. Fuse Size/Class:	10 kA		10 kA		10 kA		10 kA	
	150 A	150 A	150 A	150 A	150 A	150 A	150 A	150 A
K5	150 A	150 A	150 A	150 A	150 A	150 A	150 A	150 A
RK5	150 A	150 A	150 A	150 A	150 A	150 A	150 A	150 A
RK1	—	—	—	—	—	—	—	—
J	200 A	200 A	200 A	200 A	200 A	200 A	200 A	200 A

Terminal Size Acceptability (Cu Conductors only, 75 °C)	8-1/0 AWG	8-1/0 AWG	8-1/0 AWG	8-1/0 AWG
Terminal Torque	50 lb. in. (5.6 Nm)	50 lb. in. (5.6 Nm)	50 lb. in. (5.6 Nm)	50 lb. in. (5.6 Nm)
Screw Head Type	5 mm Allen Key	5 mm Allen Key	5 mm Allen Key	5 mm Allen Key

Dimensions

(to convert to inches multiply by 0.03937)



Weight	0.480 kg (1.058 lb.) (3 pole)	0.480 kg (1.058 lb.) (3 pole)	0.480 kg (1.058 lb.) (3 pole)	0.480 kg (1.058 lb.) (3 pole)
--------	-------------------------------	-------------------------------	-------------------------------	-------------------------------



Special Black Toggle Handle Motor Disconnect Switch
EVA3100 + K/EVAB

Polycarbonate Enclosed Motor Disconnect Switch


- Can be used locally at the motor
- UL Type 4X
- IEC IP65 Protection Level
- UV resistant
- Resistant to many chemicals
- Lockable - Defeatable Handle



NEW



NEW

 All Models are lockable with up to 3 padlocks.

Catalog Number

Black Handle	KEM316UL	KEM325UL	KEM340UL	KEM360UL	KEM380CUL
Yellow/Red Handle	KEM316UL Y/R	KEM325UL Y/R	KEM340UL Y/R	KEM360UL Y/R	KEM380CUL Y/R
No. of Poles	3 (4 pole - KEM416UL (Y/R))	3 (4 pole - KEM425UL (Y/R))	3 (4 pole - KEM440UL (Y/R))	3 (4 pole - KEM460UL (Y/R))	3 (4 pole - KEM480CUL (Y/R))
General Purpose Current	16 A	25 A	40 A	60 A	80 A
Maximum Voltage	600V AC	600V AC	600V AC	600V AC	600V AC
Motor FLA @ 480V AC	14 A	21 A	27A	34A	40 A
Motor FLA @ 600V AC	9A	11A	17A	27A	32A

Horsepower Rating/HP	1 Phase		3 Phase		1 Phase		3 Phase		1 Phase		3 Phase	
	110-120V AC	1	2	1.5	3	2	3	3	5	5	7.5	10
200V AC	1.5	3	2	5	3	7.5	5	10	7.5	10	15	20
208V AC	1.5	3	2	5	3	7.5	5	10	7.5	10	15	20
220-240V AC	2	3	3	5	5	7.5	7.5	10	10	15	20	25
265V AC	-	5	-	7.5	-	10	-	10	-	15	20	25
277V AC	-	5	-	7.5	-	10	-	10	-	15	20	25
380-415V AC	-	7.5	-	10	-	15	-	20	-	25	30	35
440-480V AC	-	10	-	15	-	20	-	25	-	30	35	40
550-600V AC	-	7.5	-	10	-	15	-	25	-	30	35	40

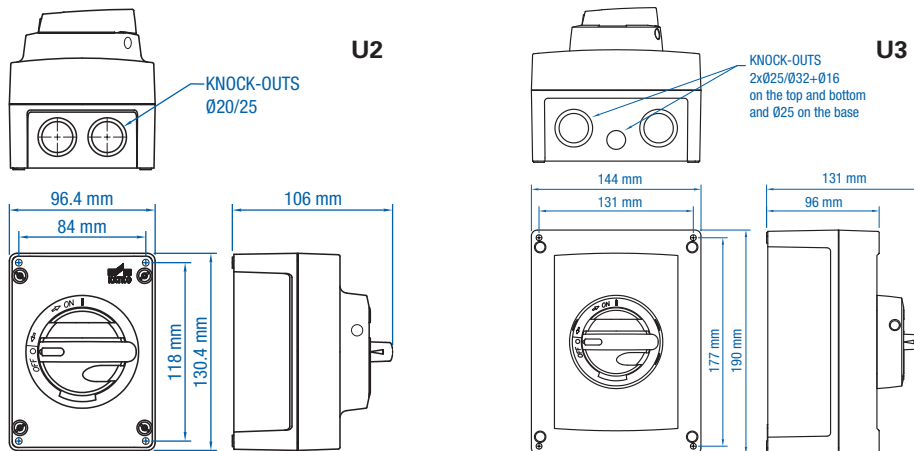
Short Circuit Withstand Rating at 600 V with Max. Fuse Size/Class:	10 kA	10 kA	10 kA	10 kA	10 kA
K5	30 A	30 A	30 A	30 A	30 A
RK5	30 A	30 A	30 A	30 A	30 A
RK1	60 A	60 A	60 A	60 A	60 A
J	80 A	80 A	80 A	100 A	100 A

Terminal Size

Acceptability	14-8 AWG	14-8 AWG	14-8 AWG	12-4 AWG	12-4 AWG
(Cu Conductors only, 75 °C)					
Terminal Torque	16 lb. in. (1.8 Nm)	16 lb. in. (1.8 Nm)	16 lb. in. (1.8 Nm)	16 lb. in. (1.8 Nm)	16 lb. in. (1.8 Nm)
Screw Head Type	No. 2 Pozidrive	No. 2 Pozidrive	No. 2 Pozidrive	No. 2 Pozidrive	No. 2 Pozidrive
Environmental Rating	UL Type 4X	UL Type 4X	UL Type 4X	UL Type 4X	UL Type 4X
Enclosure Type Used	U2	U2	U3	U3	U3

Dimensions

(to convert to inches multiply by 0.03937)



Enclosure Cover Screw Installation (Additional Information)

Enclosure	Screw Type	Torque
U2	Pz2	17.7 lb. in. (2 Nm)
U3	Pz2	17.7 lb. in. (2 Nm)
MF10UL	PH2/1x7	13.3 lb. in. (1.5 Nm)
MF11UL	PH2/1x7	13.3 lb. in. (1.5 Nm)

Weight	0.49 kg (1.08 lb.)	0.49 kg (1.08 lb.)	0.72 kg (1.587 lb.)	0.773 kg (1.698 lb.)	0.773 kg (1.698 lb.)
--------	--------------------	--------------------	---------------------	----------------------	----------------------

Suitable Accessories

Auxiliary Contacts	KU1.V, KU2.V	KU1.V, KU2.V	KU1.V, KU2.V	KU1.V, KU2.V	KU1.V, KU2.V
--------------------	--------------	--------------	--------------	--------------	--------------

Polycarbonate Enclosed Motor Disconnect Switch



Altech Corp.®

FUSED

- Can be used locally at the motor
- UL Type 4X
- IEC IP65 Protection Level
- UV resistant
- Resistant to many chemicals
- Lockable - Defeatable Handle



All Models are lockable with up to 3 padlocks.

Catalog Number

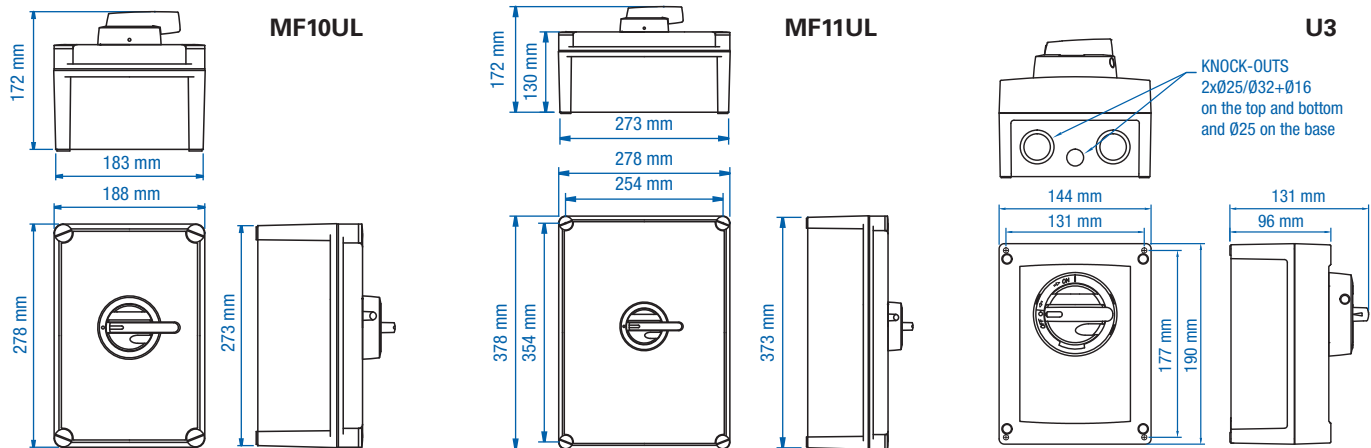
Black Handle	KEM380UL	KEM3100L	KEM3125L	KEM3150L	KKVM332, KKVM332CC
Yellow/Red Handle	KEM380UL Y/R	KEM3100L Y/R	KEM3125L Y/R	KEM3150L Y/R	KKVM332 Y/R, KKVM332CC Y/R
No. of Poles	3 (4 pole - KEM480UL (Y/R))	3 (4 pole - KEM4100L (Y/R))	3 (4 pole - KEM4125L (Y/R))	3 (4 pole - KEM4150L (Y/R))	3
General Purpose Current	80 A	100 A	125 A	150 A	30 A
Maximum Voltage	600V AC	600V AC	600V AC	600V AC	600V AC
Motor FLA @ 480V AC	-	-	-	-	-
Motor FLA @ 600V AC	47 A	54 A	68 A	83 A	-

Horsepower Rating/HP	1 Phase	3 Phase	1 Phase	3 Phase	1 Phase	3 Phase	1 Phase	3 Phase	Cat. No. KKVM 332 (Y/R) Fuse Type: 10x38, Midget KKVM 332CC (Y/R) Fuse Type: Class CC
110-120V AC	3	7.5	3	7.5	5	10	7.5	10	
200V AC	7.5	10	7.5	15	10	20	10	25	
208V AC	7.5	15	7.5	15	10	20	10	25	
220-240V AC	7.5	15	10	20	15	25	15	30	
265V AC	10	20	10	20	15	25	20	30	
277V AC	10	20	10	20	15	30	20	30	
380-415V AC	15	25	15	30	20	40	25	50	
440-480V AC	20	30	20	40	30	50	30	60	
550-600V AC	25	40	30	50	30	60	40	75	

Short Circuit Withstand Rating at 600 V with Max. Fuse Size/Class:	10 kA	10 kA	10 kA	10 kA	10 kA
K5	150 A	150 A	150 A	150 A	50 A
RK5	150 A	150 A	150 A	150 A	50 A
RK1	-	-	-	-	80 A
J	200 A	200 A	200 A	200 A	80 A

Terminal Size	8-1/0 AWG	8-1/0 AWG	8-1/0 AWG	8-1/0 AWG	14-8 AWG
Acceptability (Cu Conductors only, 75 °C)					
Terminal Torque	50 lb. in. (5.6 Nm)	50 lb. in. (5.6 Nm)	50 lb. in. (5.6 Nm)	50 lb. in. (5.6 Nm)	16 lb. in. (1.8 Nm)
Screw Head Type	5 mm Allen Key	5 mm Allen Key	5 mm Allen Key	5 mm Allen Key	No. 2 Pozidrive
Environmental Rating	UL Type 4X	UL Type 4X	UL Type 4X	UL Type 4X	UL Type 4X
Enclosure Type Used	U3	MF10	MF10	MF11UL	U3

Dimensions



Weight	1.021 kg (2.249 lb.)	1.9051 kg (4.2 lb.)	1.9051 kg (4.2 lb.)	2.8351 kg (6.25 lb.)	0.998 kg (2.2 lb.)
---------------	----------------------	---------------------	---------------------	----------------------	--------------------


Suitable Accessories

Auxiliary Contacts	VKA1.V, VKA2.V	VKA1.V, VKA2.V	VKA1.V, VKA2.V	VKA1.V, VKA2.V	KU1.V, KU2.V
---------------------------	----------------	----------------	----------------	----------------	--------------

Aluminum Enclosed Motor Disconnect Switch

- UL Type 4
- Excellent in harsh weather conditions
- UV resistant
- Resistant to many chemicals
- IP66 Protection Level
- Lockable and Defeatable Handle



 All Models are lockable with up to 3 padlocks.

NEW

Catalog Number

Black Handle	KEA316UL	KEA325UL	KEA340UL	KEA360UL
Yellow/Red Handle	KEA316UL Y/R	KEA325UL Y/R	KEA340UL Y/R	KEA360UL Y/R
No. of Poles	3 (4 pole - KEA416UL (Y/R))	3 (4 pole - KEA425UL (Y/R))	3 (4 pole - KEA440UL (Y/R))	3 (4 pole - KEA460UL (Y/R))
General Purpose Current	16 A	25 A	40 A	60 A
Maximum Voltage	600V AC	600V AC	600V AC	600V AC
Motor FLA @ 480V AC	14 A	21 A	27A	34A
Motor FLA @ 600V AC	9A	11A	17A	27A

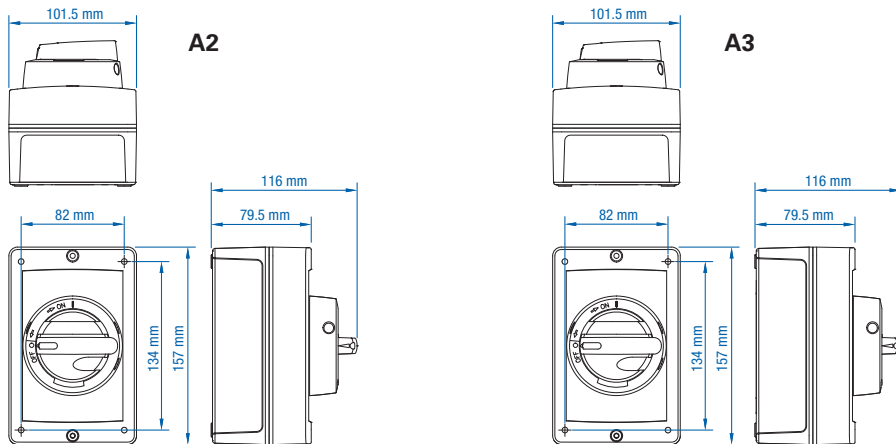
Horsepower Rating/HP	1 Phase		3 Phase		1 Phase		3 Phase		1 Phase		3 Phase	
	110-120V AC	1	2	1.5	3	2	3	3	5	3	5	10
200V AC	1.5	3	2	5	3	7.5	5	10	5	10	25	
208V AC	1.5	3	2	5	3	7.5	5	10	5	10	25	
220-240V AC	2	3	3	5	5	7.5	7.5	10	7.5	10	25	
265V AC	-	5	-	7.5	-	10	-	10	-	10	25	
277V AC	-	5	-	7.5	-	10	-	10	-	10	25	
380-415V AC	-	7.5	-	10	-	15	-	20	-	25	63	
440-480V AC	-	10	-	15	-	20	-	25	-	30	75	
550-600V AC	-	7.5	-	10	-	15	-	20	-	25	63	

Short Circuit Withstand Rating at 600 V with Max. Fuse Size/Class:	10 kA		10 kA		10 kA		10 kA	
	K5	30 A	30 A	30 A	30 A	30 A	30 A	30 A
RK5	30 A	30 A	30 A	30 A	30 A	30 A	30 A	
RK1	60 A	60 A	60 A	60 A	60 A	60 A	60 A	
J	80 A	80 A	80 A	80 A	80 A	80 A	100 A	

Terminal Size Acceptability (Cu Conductors only, 75 °C)	14-8 AWG	14-8 AWG	14-8 AWG	12-4 AWG
Terminal Torque	16 lb. in. (1.8 Nm)	16 lb. in. (1.8 Nm)	16 lb. in. (1.8 Nm)	16 lb. in. (1.8 Nm)
Screw Head Type	No. 2 Pozidrive	No. 2 Pozidrive	No. 2 Pozidrive	No. 2 Pozidrive
Environmental Rating	UL Type 4	UL Type 4	UL Type 4	UL Type 4
Enclosure Type Used	A2	A2	A2	A3

Dimensions

(to convert to inches multiply by 0.03937)



Enclosure Cover Screw Installation (Additional Information)		
Enclosure	Screw Type	Torque
A2	Pz2	17.7 lb. in. (2 Nm)
A3	Pz2	17.7 lb. in. (2 Nm)

Weight	0.8 kg (1.76 lb.)	0.8 kg (1.76 lb.)	0.8 kg (1.76 lb.)	2.0 kg (4.41 lb.)
--------	-------------------	-------------------	-------------------	-------------------

Suitable Accessories

Auxiliary Contacts	KU1.V, KU2.V	KU1.V, KU2.V	KU1.V, KU2.V	KU1.V, KU2.V
--------------------	--------------	--------------	--------------	--------------

Aluminum Enclosed Motor Disconnect Switch

- UL Type 4
- Excellent in harsh weather conditions
- UV resistant
- Resistant to many chemicals
- IP66 Protection Level
- Lockable and Defeatable Handle



 All Models are lockable with up to 3 padlocks.

NEW

Catalog Number

Black Handle	KEA380CUL	KEA380UL	KEA3100UL	KEA3125UL
Yellow/Red Handle	KEA380CUL Y/R	KEA380UL Y/R	KEA3100UL Y/R	KEA3125UL Y/R
No. of Poles	3 (4 pole - KEA480CUL (Y/R))	3 (4 pole - KEA480UL (Y/R))	3 (4 pole - KEA4100UL (Y/R))	3 (4 pole - KEA4125UL (Y/R))
General Purpose Current	80 A	80 A	100 A	125 A
Maximum Voltage	600V AC	600V AC	600V AC	600V AC
Motor FLA @ 480V AC	40 A	—	—	—
Motor FLA @ 600V AC	32A	47 A	54 A	68 A

Horsepower Rating/HP	KEA380CUL		KEA380UL		KEA3100UL		KEA3125UL	
	1 Phase	3 Phase	1 Phase	3 Phase	1 Phase	3 Phase	1 Phase	3 Phase
110-120V AC	5	7.5	3	7.5	3	7.5	5	10
200V AC	7.5	10	7.5	10	7.5	15	10	20
208V AC	7.5	10	7.5	15	7.5	15	10	20
220-240V AC	10	15	7.5	15	10	20	15	25
265V AC	—	15	10	20	10	20	15	25
277V AC	—	15	10	20	10	20	15	30
380-415V AC	—	25	15	25	15	30	20	40
440-480V AC	—	30	20	30	20	40	30	50
550-600V AC	—	30	25	40	30	50	30	60

Short Circuit Withstand Rating at 600 V with Max. Fuse Size/Class:	KEA380CUL		KEA380UL		KEA3100UL		KEA3125UL	
	1 Phase	3 Phase	1 Phase	3 Phase	1 Phase	3 Phase	1 Phase	3 Phase
	10 kA		10 kA		10 kA		10 kA	
K5	30 A		150 A		150 A		150 A	
RK5	30 A		150 A		150 A		150 A	
RK1	60 A		—		—		—	
J	100 A		200 A		200 A		200 A	

Terminal Size Acceptability (Cu Conductors only, 75 °C)	KEA380CUL		KEA380UL		KEA3100UL		KEA3125UL	
	1 Phase	3 Phase	1 Phase	3 Phase	1 Phase	3 Phase	1 Phase	3 Phase
	12-4 AWG		8-1/0 AWG		8-1/0 AWG		8-1/0 AWG	
Terminal Torque	16 lb. in. (1.8 Nm)		50 lb. in. (5.6 Nm)		50 lb. in. (5.6 Nm)		50 lb. in. (5.6 Nm)	
Screw Head Type	No. 2 Pozidrive		5 mm Allen Key		5 mm Allen Key		5 mm Allen Key	
Environmental Rating	UL Type 4		UL Type 4		UL Type 4		UL Type 4	
Enclosure Type Used	A3		A3		A3		A3	

Dimensions

(to convert to inches multiply by 0.03937)



Weight	KEA380CUL	KEA380UL	KEA3100UL	KEA3125UL
	2.3 kg (5.07 lb.)	2.3 kg (5.07 lb.)	2.3 kg (5.07 lb.)	2.3 kg (5.07 lb.)

Suitable Accessories

Auxiliary Contacts	KEA380CUL	KEA380UL	KEA3100UL	KEA3125UL
	KU1.V, KU2.V	VKA1.V, VKA2.V	VKA1.V, VKA2.V	VKA1.V, VKA2.V

Sheet Metal Enclosed Motor Disconnect Switch



- UL Type 4
- Excellent in harsh weather conditions
- Resistant to many chemicals
- Corrosion and UV resistant
- IP65 Protection Level
- Lockable - Defeatable Handle



NEW

NEW

All Models are lockable with up to 3 padlocks.

Catalog Number

Black Handle	KET316UL	KET325UL	KET340UL	KET360UL	KET380CUL
Yellow/Red Handle	KET316UL Y/R	KET325UL Y/R	KET340UL Y/R	KET360UL Y/R	KET380CUL Y/R
No. of Poles	3 (4 pole - KET416UL (Y/R))	3 (4 pole - KET425UL (Y/R))	3 (4 pole - KET440UL (Y/R))	3 (4 pole - KET460UL (Y/R))	3 (4 pole - KET480CUL (Y/R))
General Purpose Current	16 A	25 A	40 A	60 A	80 A
Maximum Voltage	600V AC	600V AC	600V AC	600V AC	600V AC
Motor FLA @ 480V AC	14 A	21 A	27A	34A	40 A
Motor FLA @ 600V AC	9A	11A	17A	27A	32A

Horsepower Rating/HP	1 Phase	3 Phase	1 Phase	3 Phase	1 Phase	3 Phase	1 Phase	3 Phase	1 Phase	3 Phase
110-120V AC	1	2	1.5	3	2	3	3	5	5	7.5
200V AC	1.5	3	2	5	3	7.5	5	10	7.5	10
208V AC	1.5	3	2	5	3	7.5	5	10	7.5	10
220-240V AC	2	3	3	5	5	7.5	7.5	10	10	15
265V AC	-	5	-	7.5	-	10	-	10	-	15
277V AC	-	5	-	7.5	-	10	-	10	-	15
380-415V AC	-	7.5	-	10	-	15	-	20	-	25
440-480V AC	-	10	-	15	-	20	-	25	-	30
550-600V AC	-	7.5	-	10	-	15	-	25	-	30

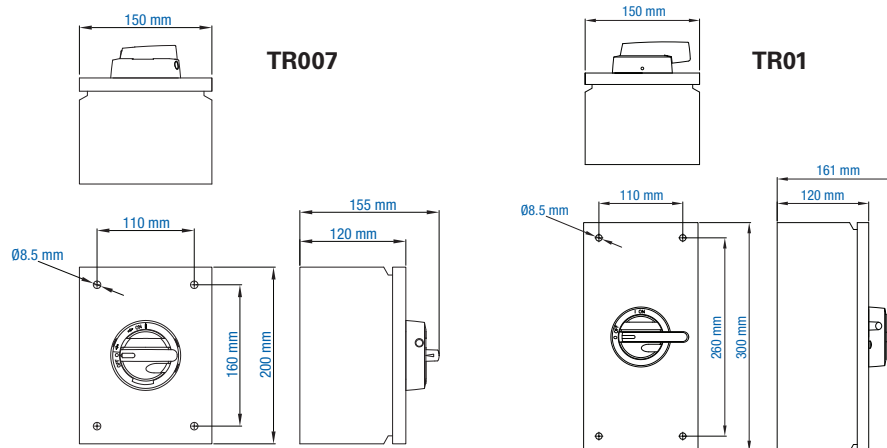
Short Circuit Withstand Rating at 600 V with Max. Fuse Size/Class:	10 kA		10 kA		10 kA		10 kA		10 kA	
K5	30 A		30 A		30 A		30 A		30 A	
RK5	30 A		30 A		30 A		30 A		30 A	
RK1	60 A		60 A		60 A		60 A		60 A	
J	80 A		80 A		80 A		100 A		100 A	

Terminal Size

Acceptability	14-8 AWG	14-8 AWG	14-8 AWG	12-4 AWG	12-4 AWG
(Cu Conductors only, 75 °C)					
Terminal Torque	16 lb. in. (1.8 Nm)	16 lb. in. (1.8 Nm)	16 lb. in. (1.8 Nm)	16 lb. in. (1.8 Nm)	16 lb. in. (1.8 Nm)
Screw Head Type	No. 2 Pozidrive	No. 2 Pozidrive	No. 2 Pozidrive	No. 2 Pozidrive	No. 2 Pozidrive
Environmental Rating	UL Type 4	UL Type 4	UL Type 4	UL Type 4	UL Type 4
Enclosure Type Used	TR007	TR007	TR007	TR01	TR01

Dimensions

(to convert to inches multiply by 0.03937)



Enclosure Cover Screw Installation (Additional Information)		
Enclosure	Screw Type	Torque
TR007	PH2	10.6 lb. in. (1.2 Nm)
TR01	PH2	10.6 lb. in. (1.2 Nm)
TR02	☺	Key lock

Weight	2.1 kg (4.63 lb.)	2.1 kg (4.63 lb.)	2.1 kg (4.63 lb.)	4.0 kg (8.82 lb.)	4.3 kg (9.48 lb.)
--------	-------------------	-------------------	-------------------	-------------------	-------------------

Suitable Accessories

Auxiliary Contacts	KU1.V, KU2.V	KU1.V, KU2.V	KU1.V, KU2.V	KU1.V, KU2.V	VKA1.V, VKA2.V
--------------------	--------------	--------------	--------------	--------------	----------------

Sheet Metal Enclosed Motor Disconnect Switch



- UL Type 4
- Excellent in harsh weather conditions
- Resistant to many chemicals
- Corrosion and UV resistant
- IP65 Protection Level
- Lockable - Defeatable Handle



All Models are lockable with up to 3 padlocks.



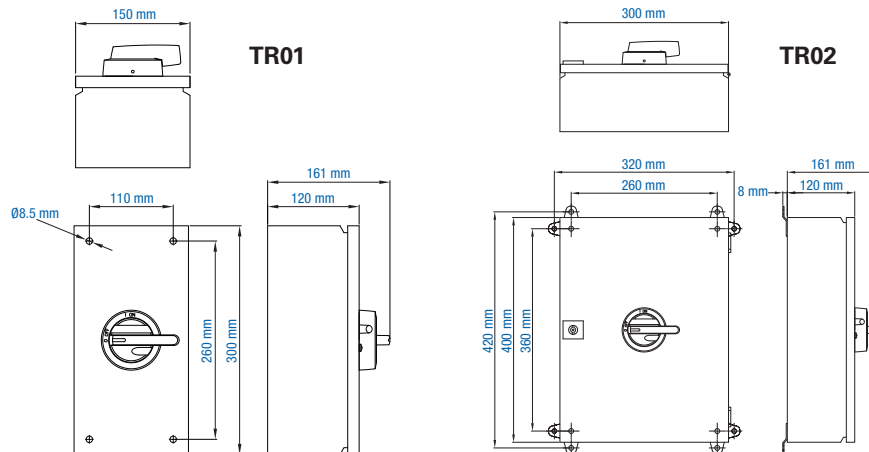
Catalog Number

Black Handle	KET380UL	KET3100UL	KET3125UL	KET3150UL
Yellow/Red Handle	KET380UL Y/R	KET3100UL Y/R	KET3125UL Y/R	KET3150UL Y/R
No. of Poles	3 (4 pole - KET480UL (Y/R))	3 (4 pole - KET4100UL (Y/R))	3 (4 pole - KET4125UL (Y/R))	3 (4 pole - KET4315UL (Y/R))
General Purpose Current	80 A	100 A	125 A	125 A
Maximum Voltage	600V AC	600V AC	600V AC	600V AC
Motor FLA @ 480V AC	-	-	-	-
Motor FLA @ 600V AC	47 A	54 A	68 A	68 A

Horsepower Rating/HP	1 Phase		3 Phase		1 Phase		3 Phase		1 Phase		3 Phase	
	1 Phase	3 Phase	1 Phase	3 Phase	1 Phase	3 Phase	1 Phase	3 Phase	1 Phase	3 Phase		
110-120V AC	3	7.5	3	7.5	5	10	5	10	5	10		
200V AC	7.5	10	7.5	15	10	20	10	20	10	20		
208V AC	7.5	15	7.5	15	10	20	10	20	10	20		
220-240V AC	7.5	15	10	20	15	25	15	25	15	25		
265V AC	10	20	10	20	15	25	15	25	15	25		
277V AC	10	20	10	20	15	30	15	30	15	30		
380-415V AC	15	25	15	30	20	40	20	40	20	40		
440-480V AC	20	30	20	40	30	50	30	50	30	50		
550-600V AC	25	40	30	50	30	60	30	60	30	60		

Short Circuit Withstand Rating at 600 V with Max. Fuse Size/Class:	10 kA	10 kA	10 kA	10 kA
K5	150 A	150 A	150 A	150 A
RK5	150 A	150 A	150 A	150 A
RK1	-	-	-	-
J	200 A	200 A	200 A	200 A
Terminal Size Acceptability (Cu Conductors only, 75 °C)	8-1/0 AWG	8-1/0 AWG	8-1/0 AWG	8-1/0 AWG
Terminal Torque	50 lb. in. (5.6 Nm)	50 lb. in. (5.6 Nm)	50 lb. in. (5.6 Nm)	50 lb. in. (5.6 Nm)
Screw Head Type	5 mm Allen Key	5 mm Allen Key	5 mm Allen Key	5 mm Allen Key
Environmental Rating	UL Type 4	UL Type 4	UL Type 4	UL Type 4
Enclosure Type Used	TR01	TR01	TR01	TR02

Dimensions



Weight	4.3 kg (9.48 lb.)	4.3 kg (9.48 lb.)	4.3 kg (9.48 lb.)	9.7 kg (21.39 lb.)
---------------	-------------------	-------------------	-------------------	--------------------

Suitable Accessories

Auxiliary Contacts	VKA1.V, VKA2.V	VKA1.V, VKA2.V	VKA1.V, VKA2.V	VKA1.V, VKA2.V
---------------------------	----------------	----------------	----------------	----------------

Stainless Steel Enclosed Motor Disconnect Switch



- UL Type 4X
- Ideal where chemicals are used for cleaning and maintenance such as food processing and breweries
- Mining is another application area
- Stainless Steel (Grade AISI 316)
- Corrosion Resistant
- IP66 Protection Level
- Lockable - Defeatable Handle



All Models are lockable with up to 3 padlocks.

Catalog Number

Black Handle	KER316UL	KER325UL	KER340UL
Yellow/ Red Handle	KER316UL Y/R	KER325UL Y/R	KER340UL Y/R
No. of Poles	3 (4 pole - KER416UL (Y/R))	3 (4 pole - KER425UL (Y/R))	3 (4 pole - KER440UL (Y/R))
General Purpose Current	16 A	25 A	40 A
Maximum Voltage	600V AC	600V AC	600V AC
Motor FLA @ 480V AC	14 A	21 A	27 A
Motor FLA @ 600V AC	9 A	11 A	17 A

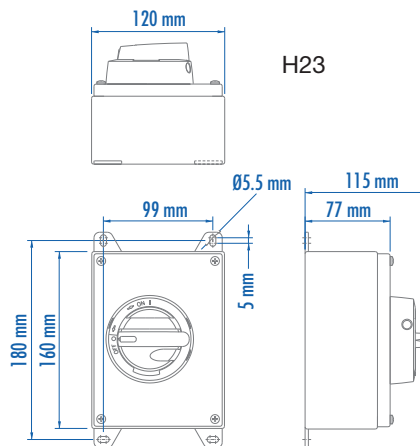
Horsepower Rating /HP	KER316UL		KER325UL		KER340UL	
	1 Phase	3 Phase	1 Phase	3 Phase	1 Phase	3 Phase
110-120V AC	1	2	1.5	3	2	3
200V AC	1.5	3	2	5	3	7.5
208V AC	1.5	3	2	5	3	7.5
220-240V AC	2	3	3	5	5	7.5
265V AC	-	5	-	7.5	-	10
277V AC	-	5	-	7.5	-	10
380-415V AC	-	7.5	-	10	-	15
440-480V AC	-	10	-	15	-	20
550-600V AC	-	7.5	-	10	-	15

Short Circuit Withstand Rating at 600 V with Max. Fuse Size/Class:	KER316UL	KER325UL	KER340UL
	10 kA	10 kA	10 kA
K5	30 A	30 A	30 A
RK5	30 A	30 A	30 A
RK1	60 A	60 A	60 A
J	80 A	80 A	80 A

Terminal Size Acceptability (Cu Conductors only, 75°C)	KER316UL	KER325UL	KER340UL
	14-8 AWG	14-8 AWG	14-8 AWG
Terminal Torque	16 lb. in. (1.8Nm)	16 lb. in. (1.8Nm)	16 lb. in. (1.8Nm)
Screw Head Type	No. 2 Pozidrive	No. 2 Pozidrive	No. 2 Pozidrive
Environmental Rating	UL Type 4X	UL Type 4X	UL Type 4X
Enclosure Type Used	H23	H23	H23

Dimensions

(to convert to inches multiply by 0.03937)



Enclosure Cover Screw Installation (Additional Information)		
Enclosure	Screw Type	Torque
H23	Pz2	17.7 lb. in. (2 Nm)
H32	Pz2	17.7 lb. in. (2 Nm)

Weight	KER316UL	KER325UL	KER340UL
	1.35 kg (2.98 lb.)	1.35 kg (2.98 lb.)	1.35 kg (2.98 lb.)

Suitable Accessories

Auxiliary Contacts	KER316UL	KER325UL	KER340UL
	KU1.V, KU2.V	KU1.V, KU2.V	KU1.V, KU2.V

Stainless Steel Enclosed Motor Disconnect Switch



- UL Type 4X
- Ideal where chemicals are used for cleaning and maintenance such as food processing and breweries
- Mining is another application area
- Stainless Steel (Grade AISI 316)
- Corrosion Resistant
- IP66 Protection Level
- Lockable - Defeatable Handle



All Models are lockable with up to 3 padlocks.

Catalog Number

Black Handle	KER360UL	KER380CUL	KER380UL	KER3100UL	KER3125UL
Yellow/ Red Handle	KER360UL Y/R	KER380CUL Y/R	KER380UL Y/R	KER3100UL Y/R	KER3125UL Y/R
No. of Poles	3 (4 pole - KER460UL (Y/R))	3 (4 pole - KER480CUL (Y/R))	3 (4 pole - KER480UL (Y/R))	3 (4 pole - KER4100UL (Y/R))	3 (4 pole - KER4125UL (Y/R))
General Purpose Current	60 A	80 A	80 A	100 A	125 A
Maximum Voltage	600V AC	600V AC	600V AC	600V AC	600V AC
Motor FLA @ 480V AC	34 A	40 A	—	—	—
Motor FLA @ 600V AC	27 A	32 A	47 A	54 A	68 A

Horsepower Rating /HP	1 Phase	3 Phase	1 Phase	3 Phase	1 Phase	3 Phase	1 Phase	3 Phase	1 Phase	3 Phase
110-120V AC	3	5	5	7.5	3	7.5	3	7.5	5	10
200V AC	5	10	7.5	10	7.5	10	7.5	15	10	20
208V AC	5	10	7.5	10	7.5	15	7.5	15	10	20
220-240V AC	7.5	10	10	15	7.5	15	10	20	15	25
265V AC	—	10	—	15	10	20	10	20	15	25
277V AC	—	10	—	15	10	20	10	20	15	30
380-415V AC	—	20	—	25	15	25	15	30	20	40
440-480V AC	—	25	—	30	20	30	20	40	30	50
550-600V AC	—	25	—	30	25	40	30	50	30	60

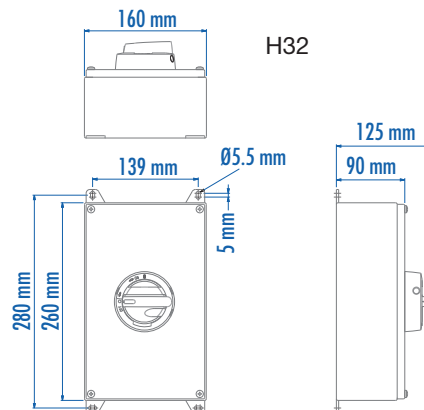
Short Circuit Withstand Rating at 600 V with Max. Fuse Size/Class:	10 kA	10 kA	10 kA	10 kA	10 kA
K5	30 A	30 A	150 A	150 A	150 A
RK5	30 A	30 A	150 A	150 A	150 A
RK1	60 A	60 A	—	—	—
J	100 A	100 A	200 A	200 A	200 A

Terminal Size

Acceptability	12-4 AWG	12-4 AWG	8-1/0 AWG	8-1/0 AWG	8-1/0 AWG
(Cu Conductors only, 75°C)					
Terminal Torque	16 lb. in. (1.8 Nm)	16 lb. in. (1.8Nm)	50 lb. in. (5.6 Nm)	50 lb. in. (5.6 Nm)	50 lb. in. (5.6 Nm)
Screw Head Type	UL Type 4X	UL Type 4X	5 mm Allen Key	5 mm Allen Key	5 mm Allen Key
Environmental Rating	No. 2 Pozidrive	No. 2 Pozidrive	UL Type 4X	UL Type 4X	UL Type 4X
Enclosure Type Used	H32	H32	H32	H32	H32

Dimensions

(to convert to inches multiply by 0.03937)



Weight	1.35 kg (2.98 lb.)	2.66 kg (5.87 lb.)	2.66 kg (5.87 lb.)	2.66 kg (5.87 lb.)	2.66 kg (5.87 lb.)
---------------	--------------------	--------------------	--------------------	--------------------	--------------------

Suitable Accessories

Auxiliary Contacts	KU1.V, KU2.V	KU1.V, KU2.V	VKA1.V, VKA2.V	VKA1.V, VKA2.V	VKA1.V, VKA2.V
---------------------------	--------------	--------------	----------------	----------------	----------------

Motor Disconnect Switch Index

Part No.	Page	Part No.	Page	Part No.	Page
EVA3100 + K/EVA	13	KEM460UL Y/R	14	KKVM332CC Y/R	15
EVA3100 + K/EVA Y/R	13	KEM480CUL	14	KU1.V	7
EVA3100 + K/EVAB	13	KEM480CUL Y/R	14	KU2.V	7
EVA3125 + K/EVA	13	KEM480UL	15	KU3/4P VV	7
EVA3125 + K/EVA Y/R	13	KEM480UL Y/R	15	KU3/4P VV Y/R	7
EVA3160 + K/EVA	13	KER3100UL	21	KU316N	4
EVA3160 + K/EVA Y/R	13	KER3100UL Y/R	21	KU325N	4
EVA380 + K/EVA	13	KER3125UL	21	KU340N	4
EVA380 + K/EVA Y/R	13	KER3125UL Y/R	21	KU363N	4
K/KU3P	8	KER316UL	20	KU380N	4
K/KU3P Y/R	8	KER316UL Y/R	20	KU416N	4
K/KU4P	8	KER325UL	20	KU425N	4
K/KU4P Y/R	8	KER325UL Y/R	20	KU440N	4
K/VKA3-4P	8	KER340UL	20	KU463N	4
K/VKA3-4P Y/R	8	KER340UL Y/R	20	KU480N	4
KEA3100UL	17	KER360UL	21	KUE316	12
KEA3100UL Y/R	17	KER360UL Y/R	21	KUE325	12
KEA3125UL	17	KER380CUL	21	KUE340	12
KEA3125UL Y/R	17	KER380CUL Y/R	21	KUE363	12
KEA316UL	16	KER380UL	21	KUE380	12
KEA316UL Y/R	16	KER380UL Y/R	21	KV 10x38	7
KEA325UL	16	KER4100UL	21	KV 10x38 CC	7
KEA325UL Y/R	16	KER4100UL Y/R	21	L100 AD11-ST	6
KEA340UL	16	KER4125UL	21	L200 AD11-ST	6
KEA340UL Y/R	16	KER4125UL Y/R	21	L300AD11-ST	6
KEA360UL	16	KER416UL	20	LK10 UL	6
KEA360UL Y/R	16	KER416UL Y/R	20	LK10 Y/R UL	6
KEA380CUL	17	KER425UL	20	LK11 1-0-2 U	7
KEA380CUL Y/R	17	KER425UL Y/R	20	LK11 1-0-2 Y/R U	7
KEA380UL	17	KER440UL	20	LK11 U	6
KEA380UL Y/R	17	KER440UL Y/R	20	LK11 Y/R U	6
KEA4100UL	17	KER460UL	21	OKA 0.V	10
KEA4100UL Y/R	17	KER460UL Y/R	21	OKA 0.V Y/R	10
KEA4125UL	17	KER480CUL	21	OKA 1.V	10
KEA4125UL Y/R	17	KER480CUL Y/R	21	OKA 1.V Y/R	10
KEA416UL	16	KER480UL	21	OKA 2.V	10
KEA416UL (Y/R)	16	KER480UL Y/R	21	OKA 2.V Y/R	10
KEA425UL	16	KET3100UL	19	OKA/KU LK10	9
KEA425UL Y/R	16	KET3100UL Y/R	19	OKA/KU LK10 1.V	9
KEA440UL	16	KET3125UL	19	OKA/KU LK10 1.V Y/R	9
KEA440UL Y/R	16	KET3125UL Y/R	19	OKA/KU LK10 2.V	9
KEA460UL	16	KET3150UL	19	OKA/KU LK10 2.V Y/R	9
KEA460UL Y/R	16	KET3150UL Y/R	19	OKA/KU LK10 Y/R	9
KEA480CUL	17	KET316UL	18	OKA/KU4P LK10	9
KEA480CUL (Y/R)	17	KET316UL Y/R	18	OKA/KU4P LK10 1.V	9
KEA480UL	17	KET325UL	18	OKA/KU4P LK10 1.V Y/R	9
KEA480UL Y/R	17	KET325UL Y/R	18	OKA/KU4P LK10 2.V	9
KEM3100L	15	KET340UL	18	OKA/KU4P LK10 2.V Y/R	9
KEM3100L Y/R	15	KET340UL Y/R	18	OKA/KU4P LK10 Y/R	9
KEM3125L	15	KET360UL	18	OKA/VKA 0.V	11
KEM3125L Y/R	15	KET360UL Y/R	18	OKA/VKA 0.V Y/R	11
KEM3150L	15	KET380CUL	18	OKA/VKA 1.V	11
KEM3150L Y/R	15	KET380CUL Y/R	18	OKA/VKA 1.V Y/R	11
KEM316UL	14	KET380UL	19	OKA/VKA 2.V	11
KEM316UL Y/R	14	KET380UL Y/R	19	OKA/VKA 2.V Y/R	11
KEM325UL	14	KET4100UL	19	OKA/VKA4P 2.V	11
KEM325UL Y/R	14	KET4100UL Y/R	19	OKA/VKA4P 0.V	11
KEM340UL	14	KET4125UL	19	OKA/VKA4P 0.V Y/R	11
KEM340UL Y/R	14	KET4125UL Y/R	19	OKA/VKA4P 1.V	11
KEM360UL	14	KET4150UL	19	OKA/VKA4P 1.V Y/R	11
KEM360UL Y/R	14	KET4150UL Y/R	19	OKA/VKA4P 2.V Y/R	11
KEM380CUL	14	KET416UL	18	RKA 3P	8
KEM380CUL Y/R	14	KET416UL Y/R	18	RKA 4P	8
KEM380UL	15	KET425UL	18	RV 104S-ST	7
KEM380UL Y/R	15	KET425UL Y/R	18	RV 66S-ST	7
KEM4100L	15	KET440UL	18	RV 80S-ST	7
KEM4100L Y/R	15	KET440UL Y/R	18	VKA1.V	7
KEM4125L	15	KET460UL	18	VKA2.V	7
KEM4125L Y/R	15	KET460UL Y/R	18	VKA3100N	5
KEM4150L	15	KET480CUL	18	VKA3125N	5
KEM4150L Y/R	15	KET480CUL Y/R	18	VKA3160N	5
KEM416UL	14	KET480UL	19	VKA380N	5
KEM416UL Y/R	14	KET480UL Y/R	19	VKA4100N	5
KEM425UL	14	KKV 332	7	VKA4125N	5
KEM425UL Y/R	14	KKV 332CC	7	VKA4160N	5
KEM440UL	14	KKVM332	15	VKA480N	5
KEM440UL Y/R	14	KKVM332 Y/R	15		
KEM460UL	14	KKVM332CC	15		

TITLE - Title to the products of ALTECH shall remain with ALTECH until payment is made in full by Customer. Such reservation of title is for the purpose of securing the purchase price and shall not relieve Customer of the duty to inspect the products upon receipt, to notify ALTECH of any deficiencies or defects, and to exercise due care in the use, installation, operation, and maintenance of the products when on the premise of the Customer or under the control of the Customer. Notwithstanding any reservation of title by ALTECH, risk of loss shall pass to customer at any time of shipment.

SHIPMENT AND DELIVERY - All orders for destination in the mainland United States (less Hawaii, Alaska and non-continental United States possessions) will be shipped F.O.B. Flemington, N.J. All destination, shipping and other charges shall be paid by the Customer in accordance with ALTECH's then current shipping and billing practices.

Delivery dates given in the acceptance of any order are approximate. ALTECH shall not be liable for delays in delivery or in performance due to causes beyond its reasonable control including acts of God, acts of Customer, acts of civil or military authority, fires, strikes or other labor disturbances, war, riot or delays in transportation. In the event of such delay, the date of delivery or performance shall be extended for a period equal to the time lost by reason of the delay.

PRICE - PRICES in any ALTECH publication are subject to change without prior notification. Catalog prices are based on prices published in the current price list. All written quotations are valid for thirty (30) days from the date of quotation. Customer shall pay all sales, use, excise or similar taxes whenever ALTECH must itself pay and/or collect such tax from Customer arising out of the sale.

PAYMENT - Customer agrees to make payment within thirty (30) days of date of the invoice from ALTECH. Customer agrees to pay a late payment charge of one and one-half percent (1.5% per month, or the maximum late payment charge permitted by applicable law, whichever is less, on any unpaid amount for each calendar month (or fraction thereof) that such payment is in default. Orders amounting to less than \$100.00 will be billed at \$100.00 plus freight. Full carton purchases are required. In the event of referral to an attorney for collection, reasonable attorney's fees for collection of the overdue amount shall be paid by Customer. In the event payment is not received within 30 days from the date of invoice, any discount shall be cancelled and the full list price will be due.

LIMITED WARRANTY - ALTECH warrants to Customer that the equipment purchases shall be free from defects in material and workmanship under normal use and service for a period of one year from shipment.

Written notice as an explanation of the circumstances of any claim that the equipment has proved defective in material or workmanship shall be given promptly by the Customer to ALTECH.

ALTECH will not be liable for any misuse, improper operations, improper installation, improper maintenance, alteration, modification, accident or unusual degradation of the equipment or parts due to an unsuitable installation environment.

No representation or other affirmation of facts, including but not limited to statements regarding capacity, suitability for use or performance of the equipment, shall be or be deemed to be a warranty or representation by ALTECH for any purpose, nor give rise to any liability or obligation of ALTECH whatsoever.

Customer's sole and exclusive remedy in the event of breach of warranty, as set forth herein, is expressly limited to (1) the correction of the defect by adjustment, repair, modification, or replacement, or (2) issuance of a credit or refund of the purchase price for the defective equipment at ALTECH's election and sole expense.

EXCEPT AS SPECIFICALLY PROVIDED IN THIS AGREEMENT, THERE ARE NO OTHER WARRANTIES EXPRESSED OR IMPLIED INCLUDING BUT NOT LIMITED TO ANY IMPLIED WARRANTIES OR MERCHANTABILITY OR FITNESS FOR A PARTICULAR PURPOSE.

THIS WARRANTY EXTENDS ONLY TO THE CUSTOMER FROM ALTECH OR ITS AUTHORIZED DISTRIBUTOR.

LIMITATION OF LIABILITY - IN NO EVENT, SHALL ALTECH BE LIABLE FOR LOSS OF PROFITS, INDIRECT, SPECIAL, CONSEQUENTIAL OR OTHER SIMILAR DAMAGES ARISING OUT OF ANY BREACH OF THIS AGREEMENT OR OBLIGATIONS UNDER THE AGREEMENT.

ALTECH SHALL NOT BE LIABLE FOR ANY DAMAGES CAUSED BY DELAY IN SHIPMENT, INSTALLATION OR FURNISHING OF EQUIPMENT OR SERVICES UNDER THIS AGREEMENT.

No action arising out of any claimed breach of this Agreement may be brought by either party more than two (2) years after the cause of action has accrued.

PATENT INDEMNITY - ALTECH shall defend or settle any suit or proceeding brought against Customer based on a claim that any equipment made to ALTECH design and furnished hereunder constitutes an infringement of any existing United States patent, provided (ALTECH) is notified promptly in writing and is given complete authorization and information required for the defense, and ALTECH shall pay all damages and costs awarded against Customer, but shall not be responsible for any costs, expense or compromise incurred or made by Customer without ALTECH's prior written consent. If any equipment is in ALTECH's opinion likely to or does become the subject of a claim for patent infringement, ALTECH may at its option and expense procure for Customer the right to continue using the device, modify it to become non-infringing, but in the event ALTECH is not reasonably able to modify, substitute, or otherwise procure for Customer the right to continue using it, ALTECH will remove such equipment and refund to Customer the amount paid in excess of a reasonable rental for past use.

ALTECH shall not be liable for any infringement or claim based upon use of the equipment in combination with other equipment not supplied by ALTECH or with modifications made by Customer.

The foregoing states the entire liability of ALTECH to Customer arising from patent infringement.

SELLER'S REMEDIES - Should Customer fail to make any payment within ten (10) days of its due date, or fail to perform any other of the Customer's obligation hereunder upon thirty (30) days written notice, or should Customer be or become insolvent or be a party to any bankruptcy receivership proceeding prior to full payment of all amounts payable hereunder, ALTECH may: (a) with or without demand or notice to customer declare the entire amount unpaid immediately due and payable; (b) enter upon the premises where the equipment may be found and remove it (Customer shall assemble the equipment and make it available to ALTECH at a place reasonably convenient to both parties and shall permit and assist ALTECH in effecting the retaking and removal of the equipment); and (c) sell any or all the equipment as permitted under applicable law, applying the proceeds of the sale to payment of the expenses of retaking, repairing and selling the equipment, reasonable attorney fees and to the satisfaction of all indebtedness then due and unpaid under this Agreement. Any surplus shall be paid to Customer and any deficiency shall be paid to ALTECH by Customer.

The remedies provided herein shall be cumulative and in addition to all other remedies provided by law or equity or under the Uniform Commercial Code.

GOVERNING LAW - This agreement will be governed by the Laws of the State of New Jersey.

GENERAL - This Agreement shall only become effective and binding when either (a) it has been accepted and executed by an authorized representative of ALTECH, or (b) the equipment has been shipped to Customer, with or without acceptance in writing hereon. Notice of acceptance is hereby waived by Customer. Customer hereby acknowledges receipt of a true and complete copy hereof.

No addition to or modification of any of the Terms and Conditions of Sale as they appear herein shall be binding upon ALTECH unless signed in writing by duly authorized representative of ALTECH in Flemington, N.J.

Typographical and clerical errors in quotations, orders and acknowledgments are subject to correction.

This Agreement is not assignable without the prior written consent of ALTECH. Any attempt to assign any of the rights, duties or obligations of this Agreement without such consent is void.

If any provision or provisions of this Agreement shall be held to be invalid, illegal or unenforceable, the validity, legality and enforceability, of the remaining provisions shall not in any way be affected or impaired thereby.

ALTECH is not responsible for failure to fulfill its obligation under this Agreement due to causes beyond its control, or except as agreed herein.

THE CUSTOMER ACKNOWLEDGES THAT HE HAS READ THE AGREEMENT, UNDERSTANDS IT, AND AGREES TO BE BOUND BY ITS TERMS AND CONDITIONS. FURTHERMORE, THE CUSTOMER AGREES THAT IT IS THE COMPLETE AND EXCLUSIVE STATEMENT OF THE AGREEMENT BETWEEN THE PARTIES, WHICH SUPERSEDES ALL PROPOSALS OR PRIOR AGREEMENTS, ORAL OR WRITTEN, EXPRESSED OR IMPLIED, AND ALL OTHER COMMUNICATIONS BETWEEN THE PARTIES RELATING TO THE SUBJECT MATTER OF THIS AGREEMENT.

Altech Search

Google™

- Home
- Stock Check
- Distributors
- Information
- News
- Contact
- Rep/Dist Login
- Altech Mexico



WEB TOOLS

- Product Crossings
- Request for Quote
- Sample Request
- Catalog Request
- eBook Catalog

PRODUCT MENU

- Accessories
- Bernstein Line
- Circuit Protection / Control
- Connectors
- Enclosures
- European Spare Parts
- Digital Panel Meters
- Foot Switches
- Interface Modules
- Panel Accessories
- Power Supplies
- Power Semi-Conductors
- Programmable Controllers
- Push Buttons & Pilot Lights
- Relays
- Sensors
- Terminal Blocks
- Tower Lights
- Timers
- Wire & Cable Management
- Home

New Products and Promotions

**Serving the Automation & Control Industry
Since 1984**

Circuit Protection

 Circuit Protection Devices	 Busbar and Power Distribution	 Contactors, Overload Relays, Manual Motor Starters	 Motor Disconnect Switches	 European Fuses
--	---	--	---	--

Connectors

 Industrial Rectangular Connectors	 Pin & Sleeve Devices	 Receptacles
--	---	--

Foot Switches

 Foot Switches
--

Sensors

 Inductive Proximity Sensors
--

Enclosures

 Industrial Enclosures	 DIN Enclosures
---	--

Modules & Relays

 Interface Modules	 Safety Relays	 Slimline Relays
---	---	---

Power Supplies

 Power Supplies
--

Push Buttons

 22 & 30 mm Push Buttons


DIN Rail

 DIN Rail
--

Wire & Cable Management

 Liquid Tight Strain Reliefs/Corrugated Tubes	 Wire Duct
--	---

Terminal Blocks

 Din Rail Terminal Blocks	 Panel Mount Terminal Blocks	 Printed Circuit Board Terminal Blocks	 Eurostrips®	 Distribution Blocks
--	---	---	---	---

Miscellaneous

 Ferrules	 Custom Assembly	 Marking & Engraving Systems	 Altech Smart Relay	 Tower Lights
--	---	---	--	--



Altech Corporation
35 Royal Road
Flemington, NJ 08822-6000
P 908.806.9400 • F 908.806.9490
www.altechcorp.com

