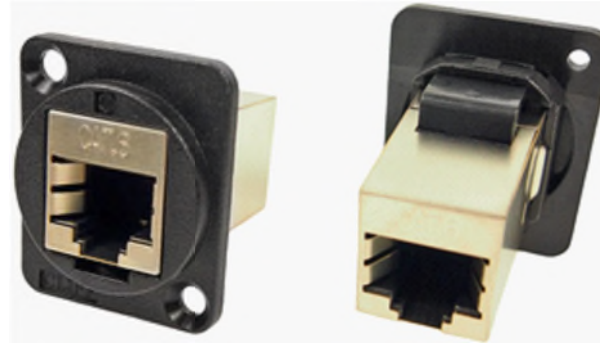
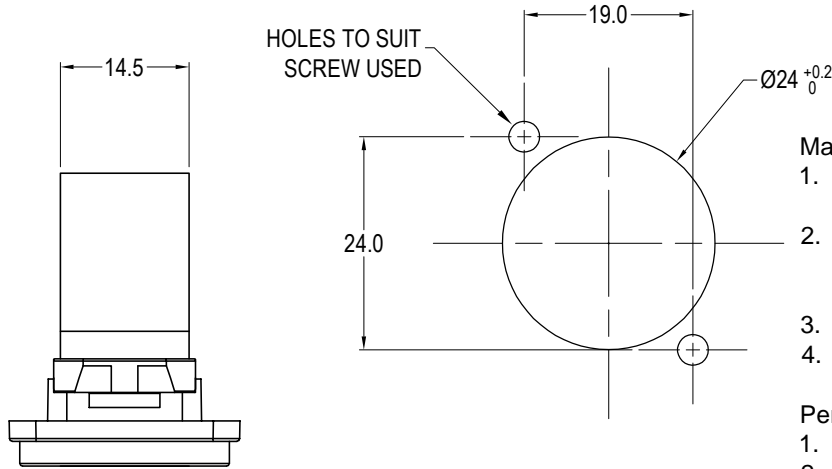


ISS.	AMEND	DATE
1	ISSUED	12/02/15
2	ADD WHITE VARIANTS	26/11/19
3	ADD MIN MAX TEMP	30/06/20
4	MATERIAL PC or ABS	01/03/21



PANEL CUTOUT  
MAXIMUM PANEL  
THICKNESS 3mm



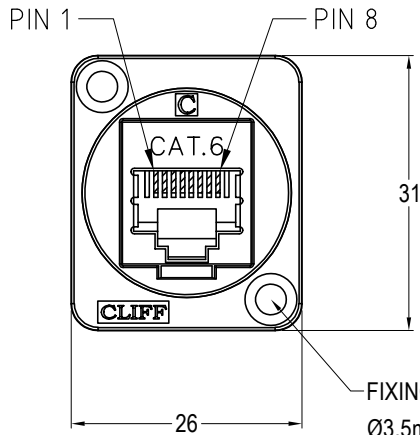
**Material:**

1. RJ45 In-Line Coupler: Black PC or ABS, UL 94V-0 Fully Shielded
2. RJ45 In-Line Coupler Contact: Phosphor Bronze, 3-50 micro inches gold plating over nickel plate.
3. PCB: FR4, UL 94V-0
4. Frame: Polyamide UL 94V-2

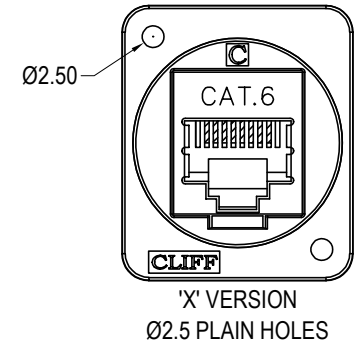
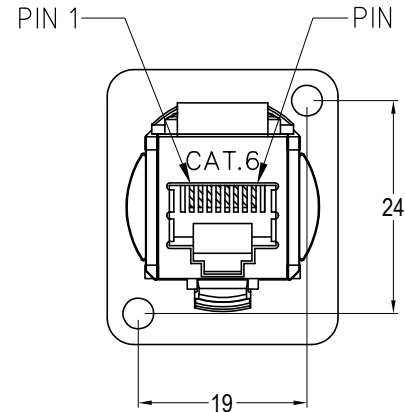
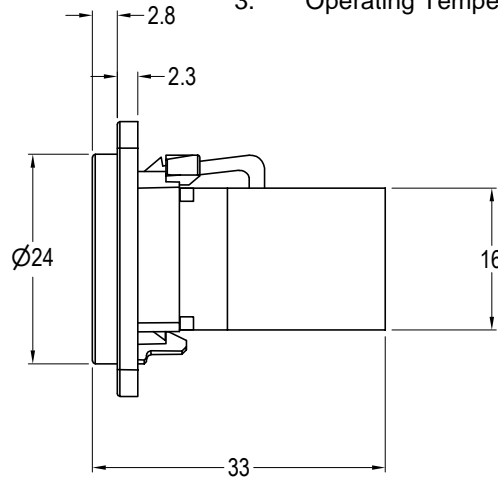
PART NO.	COLOUR	FIXING HOLE DETAILS
CP30222S	BLACK	HOLE Ø3.5 x CSK 82° x Ø5.85
CP30222SW	WHITE	
CP30222SX	BLACK	PLAIN HOLE Ø2.50
CP30222SXW	WHITE	

**Performance:**

1. T568A & T568B wiring.
2. Meet ISO/IEC 11801 and EN50173
3. Meet ANSI/TIA/EIA 568B.2
3. Operating Temperatures: Min -10°C Max +70°C



FIXING HOLE VARIANTS:  
Ø3.5mm CSK 82° x Ø5.85  
'X' VERSION HAS Ø2.5 PLAIN HOLES.



**RoHS**  
COMPLIANT

**TOLERANCE**  
NO DEC. PLACE ±  
1 DEC. PLACE ±  
2 DEC. PLACE ±  
HOLE Ø ±  
ANGLES ±  
UNLESS OTHERWISE STATED

**Cliff Electronic Components Ltd.**

76 Holmethorpe Avenue, Holmethorpe Industrial Estate,  
Redhill, Surrey, RH1 2PF, England, UK  
Tel: 01737-771375 Fax: 01737-766012 Website: www.cliffuk.co.uk

THE CONTENTS OF THIS DOCUMENT MUST NOT BE COPIED OR DISCLOSED  
TO A 3rd PARTY WITHOUT WRITTEN PERMISSION OF CLIFF UK. © 2015

DIMENSIONS IN MILLIMETERS UNLESS OTHERWISE STATED. WORK TO DIMENSIONS. REMOVE ALL BURRS. IF IN DOUBT ASK.

MATERIAL: SEE NOTES + TABLE

FINISH: SEE NOTES + TABLE

DRAWN: D.P.J.

APPROVED: D.P.J.

3rd ANGLE PROJECTION:

TITLE: FEED THROUGH FTP CAT6 RJ45 SHIELDED

DRWG. No. CP30222S

DO NOT SCALE

FORM: A4DRWG9