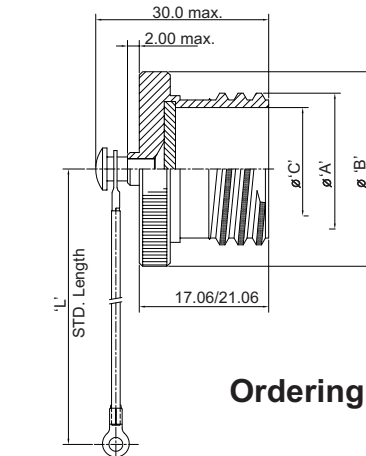


(Alternate Type For Jam Nut Type Only)
S.S. Rope with Ring
Teflon Coating (N)



S.S. Rope
With Teflon Coating (R)

Ordering Information (Proprietary Part Number)

ITV32 09 A F N H

Designates Plug Dust Cover

Shell Size: 09, 11, 13, 15, 17, 19, 21, 23, & 25

- Class**
Aluminium
 A - Hard seal nickel finish
 B - Zinc nickel finish cadmium olive drab
 F - 48 hrs. electroless nickel
 T - PTFE Nickel Plating
 W - 500 Hrs. cadmium olive drab
 EB - Cad. free zinc cobalt -olive drab finish
 FB - Cad. free zinc cobalt - black finish
 T- PT FE nickel finish
 SD- Zinc Ni Black finish
Composite
 J - Composite cadmium olive drab
 M - Composite electroless nickel
 NB - Nickel Aluminum Bronze
 CD - S. Steel Passivated

- Type of attachment**
 D - Bead chain passivated
 F - Wire rope with teflon jacket
 G - Nylon cord
 S - Sash chain passivated
 X - None

- Type of end link**
 N - Solid ring
 T - Tie wrap
 X - None

Length of attachment
 H - Standard length
 For non-standard 'H' length has to be specified in mm.

All Dimensions are in mm

Shell Size	'A' Thread -2A -0.1P -0.3L-TS	ØB Max	'C' +0.0 -0.15	ØD Max	ØE Min	'L' + 13.0 -7.0
09	0.625"	23.0	12.50	24.0	13.0	127
11	0.750"	26.0	15.75	27.0	18.0	
13	0.875"	31.0	19.53	30.0	20.0	
15	1.000"	33.0	22.71	31.0	23.0	
17	1.1875"	37.0	25.88	37.0	26.0	
19	1.250"	40.0	28.55	40.0	29.0	
21	1.375"	44.0	31.72	44.0	32.0	
23	1.500"	46.0	34.80	45.0	34.0	
25	1.625"	50.0	38.07	49.0	39.0	

All Dimensions for reference only

Ordering Information (MIL Part Number)

JAND38999/32 W 15 R

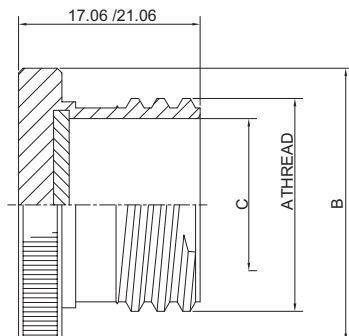
Designates Plug Dust Cover

Class:-
 F - Electroless nikel finish.
 W- Aluminium,500 hrs cadmium olive drab.

Shell Size : 09,11,13,15,17,19,21,23,&25

Style-
 R - Rope
 N - With rope & ring.

Cap without attachment



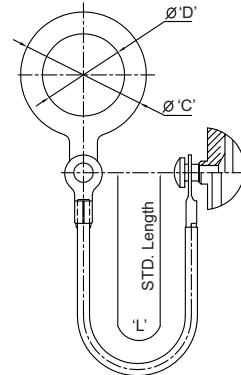
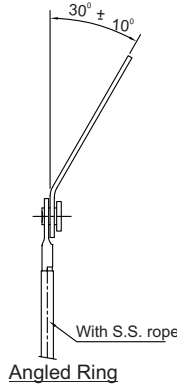
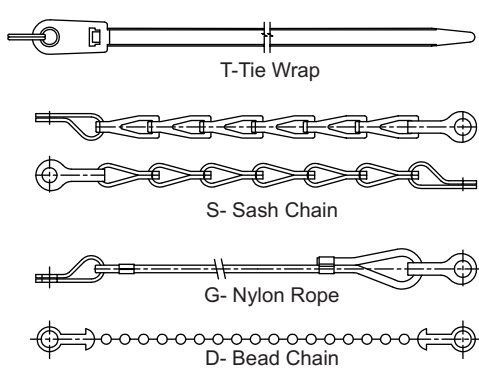
Ordering information ITV32 - 09 - A - V1

Designates Plug Cover

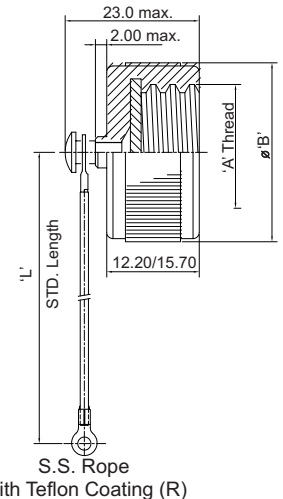
Shell Size : 09,11,13,15,17,19,21,23 & 25

- Class:**
 A - Hard Anodic
 W - Aluminium, 500 hrs. Cadmium Olive Drab
 J - Composite cadmium olive drab
 M - Composite electroless nickel
 F - Aluminium, 48 hrs. electroless nickel
 EB - Zinc Cobalt Loive drab
 T- Nickel PTFE finish

Variant



(Alternate Type For Jam Nut Type Only)
S.S. Rope with Ring
Teflon Coating (N)



All Dimensions are in mm

Shell Size	'A' Thread -2A-0.1P -0.3L-TS	ØB Max	'C' Max	ØD Min	'L' +13.0 -7.0
09	0.625"	23.0	27.0	17.64	127
11	0.750"	28.0	32.0	21.97	
13	0.875"	31.0	37.0	25.15	
15	1.000"	32.0	40.0	29.92	
17	1.1875"	37.0	44.0	32.0	
19	1.250"	39.0	46.0	36.27	
21	1.375"	42.0	49.0	38.25	
23	1.500"	45.0	54.0	42.62	
25	1.625"	49.0	56.0	44.45	

All Dimensions for reference only

Ordering Information (Proprietary Part Number)

ITV33 09 A F N H

Designates Receptacle Dust Cover

Shell Size: 09, 11, 13, 15, 17, 19, 21, 23, & 25

Class
Aluminium
A - Hard seal nickel finish
B - Zinc nickel finish cadmium olive drab
F - 48 hrs. electroless nickel
T - PTFE Nickel Plating
W - 500 Hrs. cadmium olive drab
EB - Cad. free zinc cobalt -olive drab finish
FB - Cad. free zinc cobalt - black finish
T-PTFE nickel finish
SD- Zinc Ni Black finish
Composite
J - Composite cadmium olive drab
M - Composite electroless nickel
NB - Nickel Aluminum Bronze
CD - S. Steel Passivated

Type of attachment
D - Bead chain passivated
F - Wire rope with teflon jacket
G - Nylon cord
S - Sash chain passivated
X - None

Type of end link
N - Solid ring
T - Tie wrap
X - None

Length of attachment
H - Standard length
For non-standard 'H' length has to be specified in mm.

Ordering Information (MIL Part Number)

JAND38999/33 W 15 R

Designates Receptacle Dust Cover

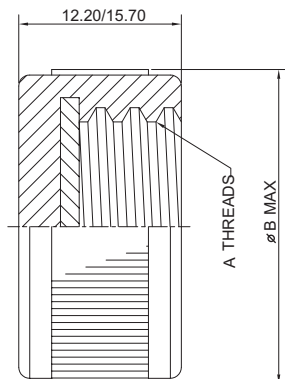
Class:-
F - Electroless nickel finish.
W- Aluminium, 500 hrs cadmium olive drab.

Shell Size : 09,11,13,15,17,19,21,23,&25

Style-
R - Rope
N - With rope & ring.

Note: For non. std. long "L" Contact factory

Cap without attachment



Ordering information ITV33 - 09 - A - V1

Designates Receptacle Cover

Shell Size : 09,11,13,15,17,19,21,23 & 25

Class:
A - Hard Anodic
W - Aluminium, 500 hrs. Cadmium Olive Drab
J - Composite cadmium olive drab
M - Composite electroless
F - Aluminium, 48 hrs. electroless nickel
T- Nickel PTFE finish

Variant