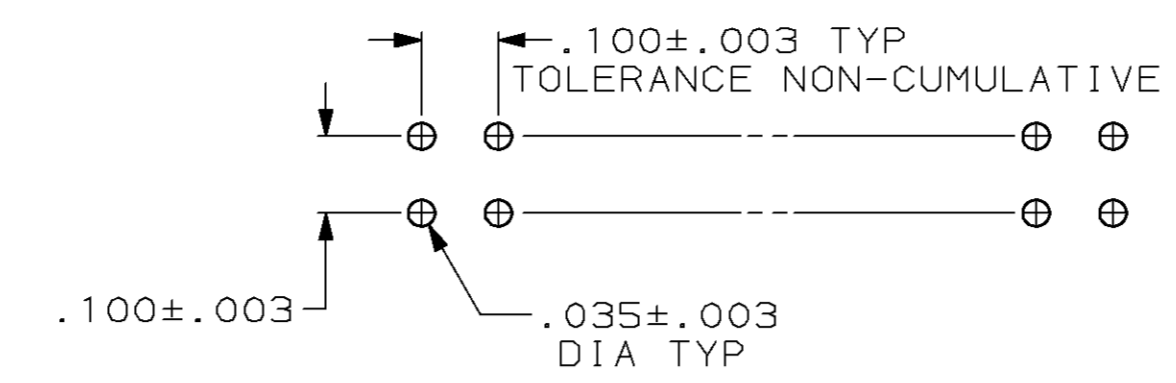
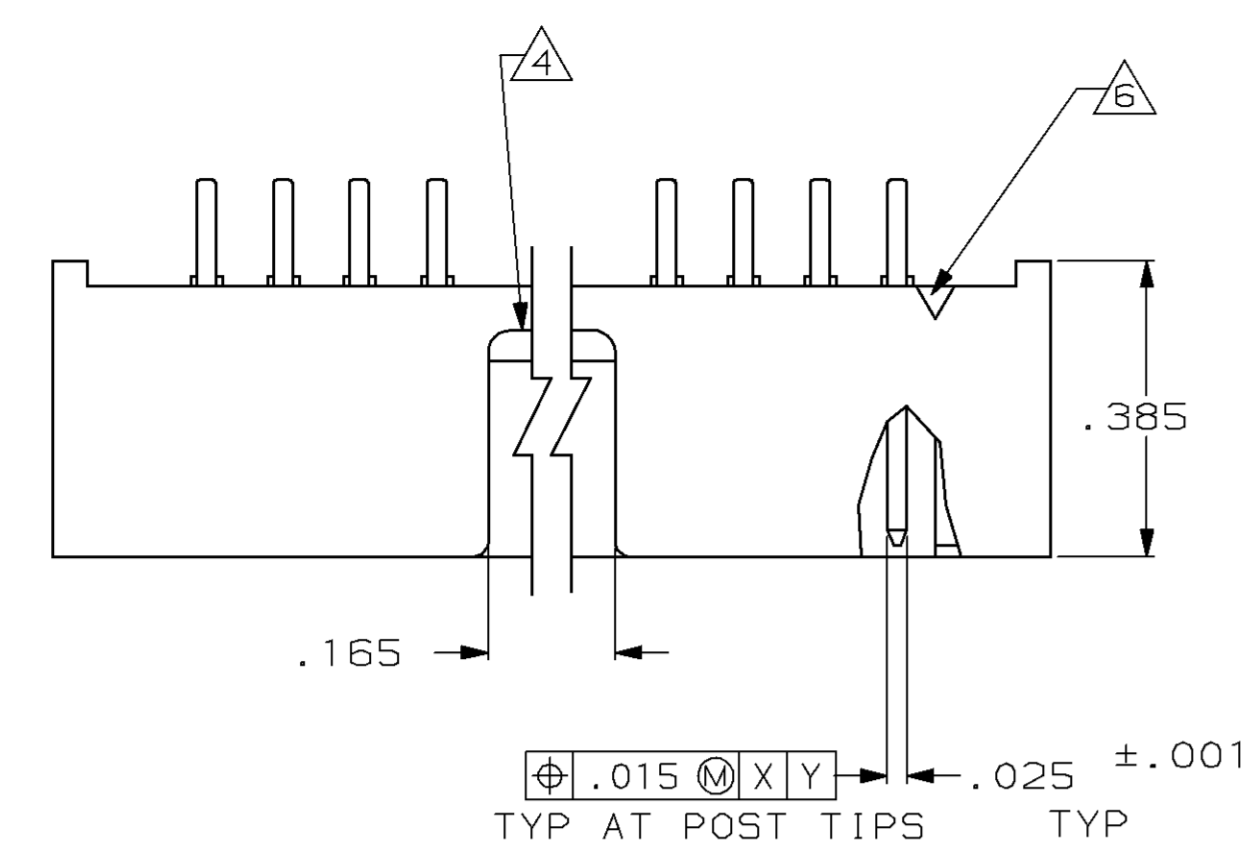
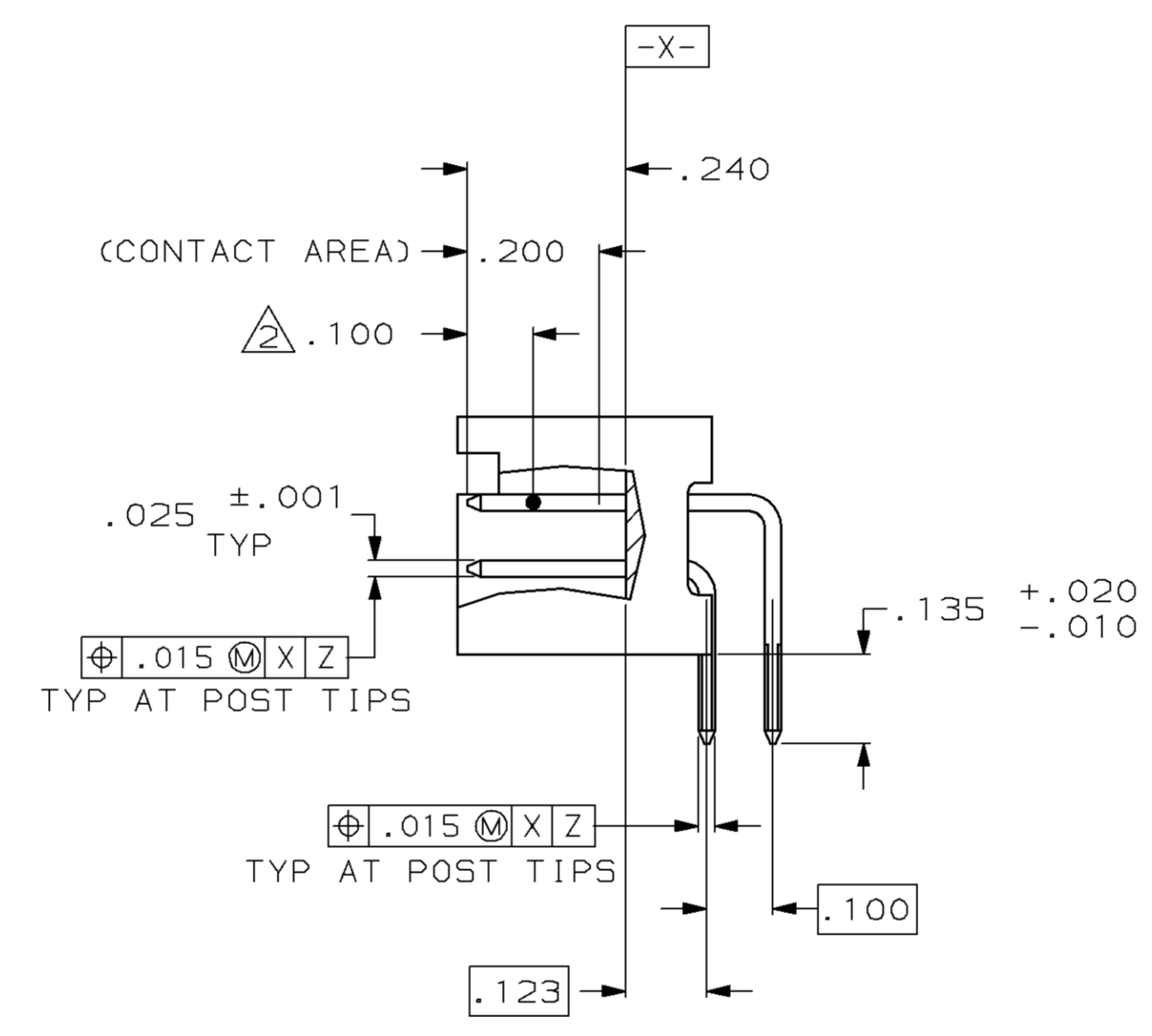
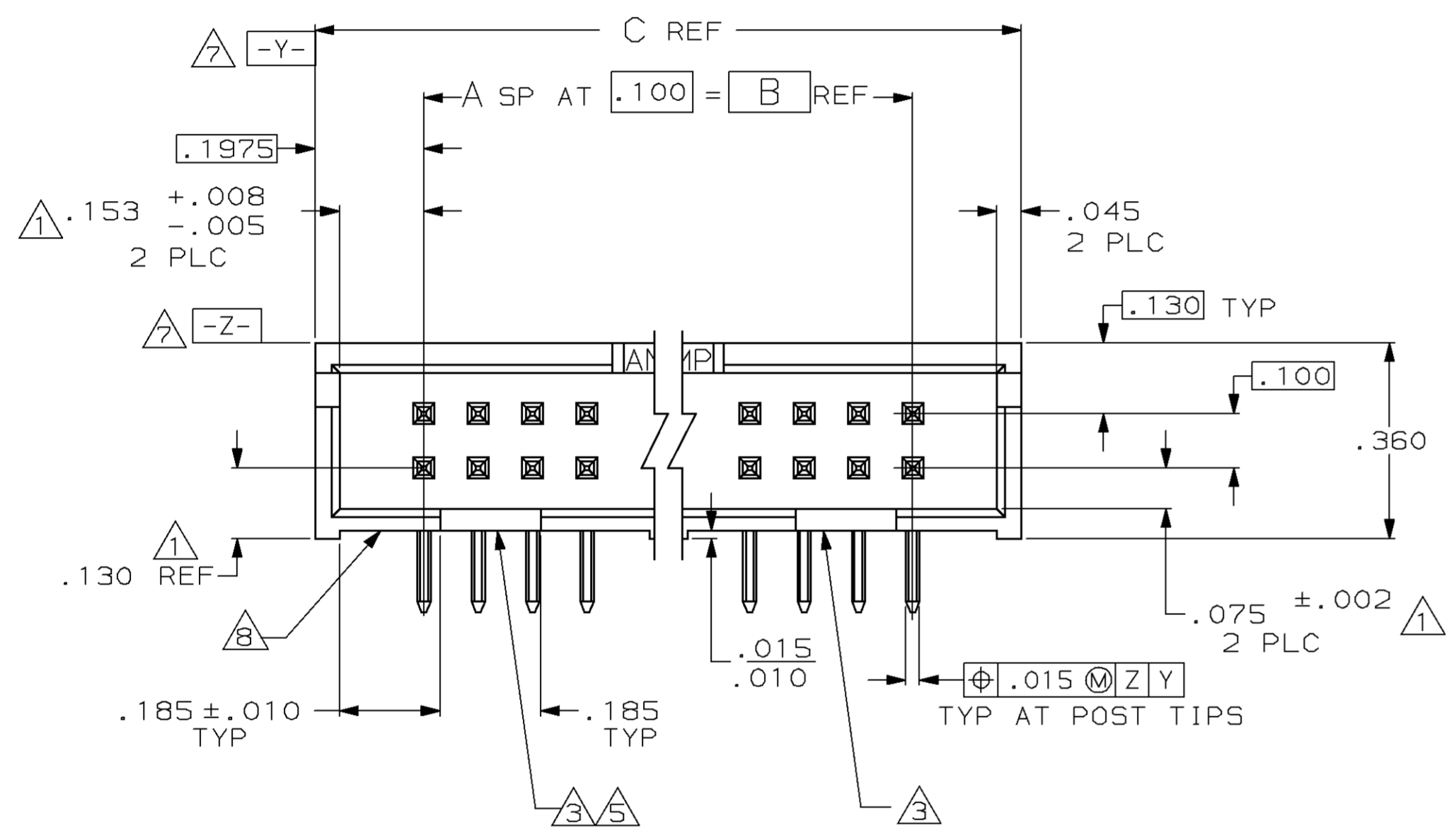


DRAWING MADE IN THIRD ANGLE PROJECTION
 THIS DRAWING IS UNPUBLISHED. RELEASED FOR PUBLICATION
 © COPYRIGHT 19 BY AMP INCORPORATED, HARRISBURG, PA. ALL INTERNATIONAL RIGHTS RESERVED. AMP PRODUCTS MAY BE COVERED BY U.S. AND FOREIGN PATENTS AND/OR PATENTS PENDING.

LOC AR	DIST	P	F	ZONE	LTR	DESCRIPTION	DATE	APPD
	35				A	REV&REDRAWN ECN 1633	-	-
					B	REV PER ECN BD3603	2-5-90	SG
					C	REV PER ECN BD3996	08/31/90	RK
					D	REV PER ECN BD6866	02/15/93	RK
					E	OBS -4 & -9 PER EC 0020-942-93	03/13/94	RK
					F	OBSOLETE -11	07/11/95	DK
					G	PER EC 0020-522-95	06 DEC 95	RK
					H	REV PER EC 0410-56-97	06 OCT 97	JGH



RECOMMENDED HOLE LAYOUT FOR MANUAL INSERTION



	3.300	2.900	29	60	1-103310-2
OBSOLETE	3.100	2.700	27	56	1-103310-1
	2.800	2.400	24	50	1-103310-0
OBSOLETE	2.500	2.100	21	44	103310-9
	2.300	1.900	19	40	103310-8
	2.000	1.600	16	34	103310-7
	1.600	1.200	12	26	103310-6
	1.300	.900	9	20	103310-5
OBSOLETE	1.200	.800	8	18	103310-4
	1.100	.700	7	16	103310-3
	1.000	.600	6	14	103310-2
	.800	.400	4	10	103310-1
	C	B	A	NO OF POSN	ASSEMBLY PART NUMBER

- ① THE NOTED DIMENSIONS APPLY AT THE INTERSECTION OF THE POST AND HOUSING
- ② POINT OF MEASUREMENT FOR PLATING THICKNESS
- ③ DOUBLE BAR POLARIZATION
- ④ CENTER POLARIZATION SLOT
- ⑤ FOR 10 POSN ASSEMBLY, SLOT OMITTED WHERE INDICATED
- ⑥ NUMBER 1 POSITION INDICATOR.
- ⑦ DATUMS $\overline{-Y-}$ AND $\overline{-Z-}$ APPLY AT THE BASE OF THE SHROUD WALL.
- ⑧ OPTIONAL AMP IDENTIFICATION NUMBER (DATE CODE). LOCATION APPROXIMATELY WHERE SHOWN.

UNLESS OTHERWISE SPECIFIED DIMENSIONS ARE IN INCHES TOLERANCES ON:		DR 8-27-87 H MOLL		AMP INCORPORATED Harrisburg, Pa. 17105	
2 PL DEC ±.005 3 PL DEC ±.005 ANGLES ±.		CHK 9-4-87 L A MAYER			
MATERIAL: HOUSING: GLASS FILLED NYLON, FLAME RETARDANT, BLACK POSTS: PHOS BRONZE		APPD 9-4-87 R FEIDT		NAME HEADER ASSY, LOW PROFILE, AMP-LATCH™	
FINISH: POSTS: .000015 GOLD IN CONTACT AREA, .000100-.000200 TIN-LEAD ON SOLDER TAIL, ALL OVER .000050 NICKEL		APPD 9-4-87 R ELICKER		PRODUCT SPEC -	
APPLICATION SPEC -		WEIGHT -		SIZE D	
SCALE 4:1		FSCM NO 00779		DRAWING NO 103310	
		SHEET 1 OF 1			